

"THE MATERIAL HEREIN IS FOR INFORMATION PURPOSES ONLY AND IS SUBJECT TO CHANGE WITHOUT NOTICE. DIGITAL EQUIPMENT CORPORATION ASSUMES NO RESPONSIBILITY FOR ANY ERRORS WHICH MAY APPEAR HEREIN."

FIELD MAINTENANCE PRINT SET

"THIS DRAWING AND SPECIFICATIONS, HEREIN, ARE THE PROPERTY OF DIGITAL EQUIPMENT CORPORATION AND SHALL NOT BE REPRODUCED OR COPIED OR USED IN WHOLE OR IN PART AS THE BASIS FOR THE MANUFACTURE OR SALE OF ITEMS WITHOUT WRITTEN PERMISSION. COPYRIGHT © 1976, DIGITAL EQUIPMENT CORPORATION."

TABLE OF CONTENTS

DWG. NO.	DESCRIPTION
B-TC-RP05-0-3	FIELD MAINTENANCE PRINT SET
E-UA-RP04-0-0	DISK PACK DRIVE (RP04)
E-UA-RP05-0-0	DISK PACK DRIVE (RP05)
E-UA-RP06-0-0	DISK PACK DRIVE (RP06)
D-UA-M7786-0-0	SEEK SEARCH CONTROL
K-PL-M7786-0-DBP	SEEK SEARCH CONTROL
D-CS-M7786-0-1	SEEK SEARCH CONTROL
D-UA-M7773-0-0	SYNCHRONOUS LOGIC (SN BOARD)
K-PL-M7773-0-DBP	SYNCHRONOUS LOGIC (SN BOARD)
D-CS-M7773-0-1	SYNCHRONOUS LOGIC
D-UA-M7774-0-0	REGISTER LOGIC (RG BOARD)
K-PL-M7774-0-DBP	REGISTER LOGIC (RG BOARD)
D-CS-M7774-0-1	REGISTER LOGIC
D-CS-M7787-0-1	INTERFACE CONTROL
D-CS-M7776-0-1	ERROR CORRECTION
D-UA-M7788-0-0	INTERFACE XMITTER
A-PL-M7788-0-0	INTERFACE XMITTER (PL)
D-CS-M7788-0-1	INTERFACE XMITTER (CS)
D-UA-M7789-0-0	INTERFACE RECEIVER
A-PL-M7789-0-0	INTERFACE RECEIVER (PL)
D-CS-M7789-0-1	INTERFACE RECEIVER (CS)
D-BS-RP04-0-36	MASSBUS XCVR (TAO) CONT A
D-BS-RP04-0-38	MASSBUS XCVR (TBO) CONT A
D-BS-RP04-0-40	MASSBUS XCVR (TCO) CONT A
D-BS-RP04-0-37	MASSBUS XCVR (TDO) CONT B
D-BS-RP04-0-39	MASSBUS XCVR (TEO) CONT B
D-BS-RP04-0-41	MASSBUS XCVR (TEO) CONT B
D-CS-M5903-0-1	TRANSCEIVER
C-MU-RP05-0-4	MODULE UTILIZATION & SUBSTITUTION GUIDE
D-ADC7009938-0-0	MASSBUS TERMINATOR ASSY
D-CS-H870-0-1	MASSBUS TERMINATOR (CS)
D-CS-5410817-0-1	POWER MONITOR
K-WL-RP05-0-WL	WIRE LIST

UNIT VARIATIONS COVERED BY THIS PRINT SET

RP04-AA
RP04-AB
RP04-BA
RP04-BB

RP05-AA
RP05-AB
RP05-BA
RP05-BB

RP06-AA
RP06-AB
RP06-BA
RP06-BB

Field Maintenance
Print Set
RP04/05/06
Digital Equipment
Corporation

Print Set Part Number MP-00086

REVISION HISTORY		ECO NUMBER	DATE	BY	DESCRIPTION
981	KRD 15 MAR 82	1406A	15 MAR 82	C. DUNIGAN	REVISION
	REDRAWN PER ECO RP06-CX016 K.D. 8 MAR 82 C. DUNIGAN	RP06-CX19A	5 JAN 83	C. DUNIGAN	

DRN. F. CARBERRY	DATE 10 FEB 76	TITLE digital RP04/05/06 DISK DRIVE
CHK'D. F. CARBERRY	DATE 10 FEB 76	
DES. ENG. D. LIGNOS	DATE 12 FEB 76	
RESP. ENG. D. LIGNOS	DATE 12 FEB 76	
FIELD SERVICE ROGER MOORE	DATE 12 FEB 76	
NEXT HIGHER DOC.		DOCUMENT NUMBER
		SIZE CODE NUMBER REV.
		B TC RP05-0-3 B
		SHEET 1 OF 3

SIZE CODE NUMBER B | TC | RP05-0-3 | B |

"THIS DRAWING AND SPECIFICATIONS, HEREIN, ARE THE PROPERTY OF DIGITAL EQUIPMENT CORPORATION AND SHALL NOT BE REPRODUCED OR COPIED OR USED IN WHOLE OR IN PART AS THE BASIS FOR THE MANUFACTURE OR SALE OF ITEMS WITHOUT WRITTEN PERMISSION. 1976. COPYRIGHT © DIGITAL EQUIPMENT CORPORATION"

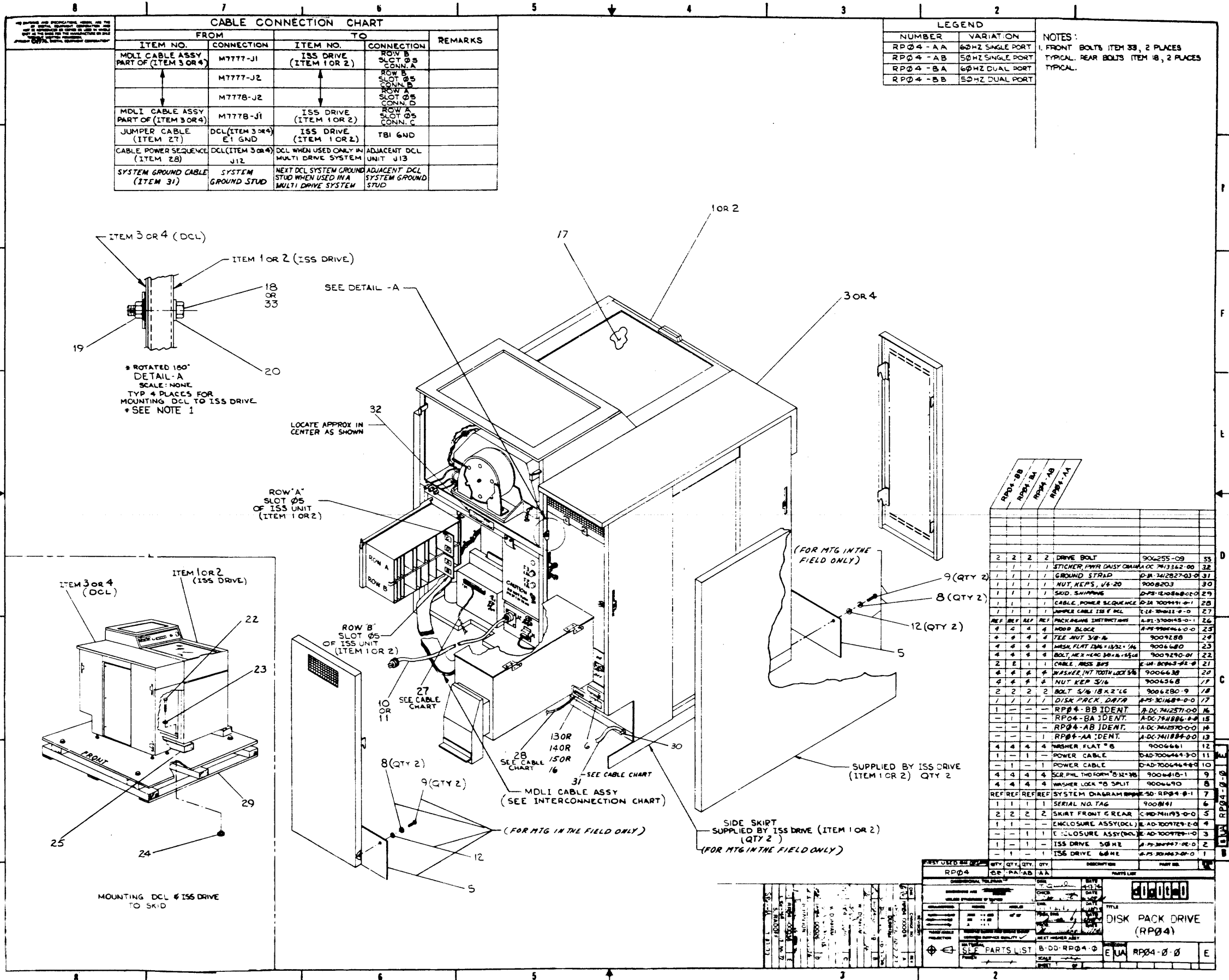
DWG. NO.	DESCRIPTION
A-WT-7009623-0	AWT REVISION STATUS
B-DD-H764-0	POWER SUPPLY
D-CS-H764-0-1	CIRCUIT SCHEMATIC (H764)
E-IA-5409728-0-0	REGULATOR BOARD ASSY
D-CS-5409728-0-1	REGULATOR BOARD (CS)
E-SD-RP04-0-1	SYSTEM DIAGRAM
D-FD-RP04-0-4	FLOW DIAGRAM SYMBOLOGY
D-FD-RP04-0-3	SEEK FLOW DIAGRAM
D-FD-RP04-0-4	OFFSET FLOW DIAGRAM
D-FD-RP04-0-5	RETURN TO CENTERLINE FLOW DIA.
D-FD-RP04-0-6	RECALIBRATE FLOW DIAGRAM
D-FD-RP04-0-7	UNLOAD FLOW DIAGRAM
D-FD-RP04-0-8	SECTOR SEARCH FLOW DIAGRAM
D-FD-RP04-0-9	HEADER COMPARE FLOW DIAGRAM
D-FD-RP04-0-10	RD DT & RD HD & DT FLOW DIA.
B-DD-RP04-0-11	SECTOR TIMING BLOCK DIAGRAM
D-TD-RP04-0-12	SEEK TIMING DIAGRAM
D-TD-RP04-0-13	OFFSET TIMING DIAGRAM
D-TD-RP04-0-14	RETURN TO CENTERLINE TIMING DIA.
D-TD-RP04-0-15	RECALIBRATE TIMING DIAGRAM
D-TD-RP04-0-16	UNLOAD TIMING DIAGRAM
D-TD-RP04-0-17	SECTOR TIMING DIAGRAM
D-TD-RP04-0-18	RD DT & TD HD & DT TIMING DIA.
D-TD-RP04-0-19	HEADER COMPARE DETAILED TIMING
D-FD-RP04-0-20	READ IN: PACK ACKNOWLEDGE
D-FD-RP04-0-21	NO OP:NG DRV CLR FLOW DIAGRAM
D-BD-RP04-0-22	SHIFT CLOCK SELECT & BYTE CNT.
D-TD-RP04-0-23	SYNC CLOCK/BYTE CLOCK GEN.
D-TD-RP04-0-24	WRITE HEADER & DATA TIMING DIAGRAM
D-TD-RP04-0-25	WRITE DATA TIMING DIAGRAM
D-FD-RP04-0-26	WRITE HEADER & DATA FLOW DIAGRAM
D-FD-RP04-0-27	WRITE DATA FLOW DIAGRAM
D-FD-RP04-0-28	HANDSHAKE WRITE REQ. FLOW DIA.
D-TD-RP04-0-29	HANDSHAKE TIMING DIAGRAM
D-FD-RP04-0-30	HANDSHAKE-READ REGISTER FLOW DIA.
D-FD-RP04-0-31	DUAL CONT PORT ACQ FL DIA.
D-FD-RP04-0-32	DUAL CONT PORT RISE DIAGRAM
D-TD-RP04-0-33	DUAL CONTROL TIMING DIAGRAM
D-FD-RP04-0-34	ERROR HANDLING FLOW DIAGRAM
D-FD-RP04-0-35	ECC FLOW DIAGRAM
A-SP-RP05-0-1	ACCEPTANCE TEST
D-CS-M7772-0-1*	SEEK AND SEARCH CONTROL
D-CS-M7775-0-1*	DUAL PORT LOGIC
D-CS-M7777-0-1*	MDLI MODULE #1
D-CS-M7778-0-1*	MDLI MODULE #2

*NOTE: USE RESTRICTED TO RP04 ONLY - REF: C-MU-RP05-0-4

TITLE	RP04/05/06 DISK DRIVE	SIZE CODE	NUMBER	REV
SHEET	2 OF 3	B TC	RP05-0-3	B

"THIS DRAWING AND SPECIFICATIONS, HEREIN, ARE THE PROPERTY OF DIGITAL EQUIPMENT CORPORATION AND SHALL NOT BE REPRODUCED OR COPIED OR USED IN WHOLE OR IN PART AS THE BASIS FOR THE MANUFACTURE OR SALE OF ITEMS WITHOUT WRITTEN PERMISSION.
 1983
 COPYRIGHT © DIGITAL EQUIPMENT CORPORATION"

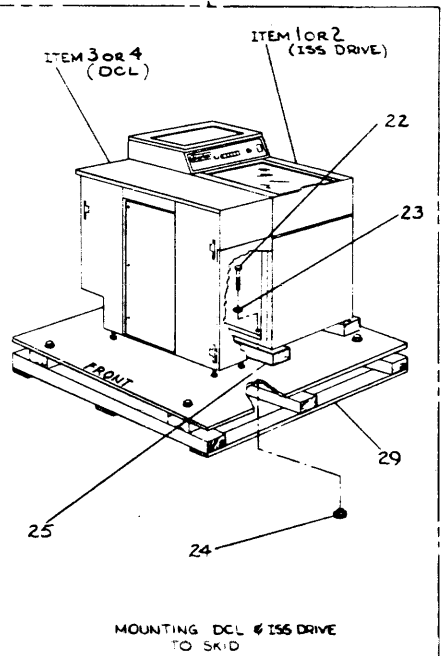
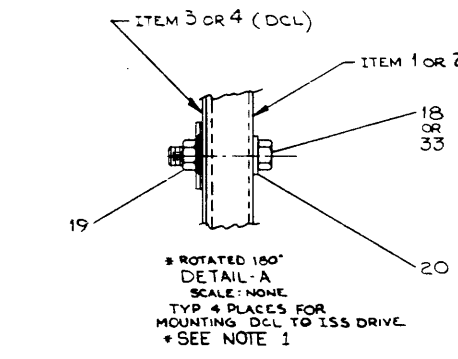
<u>DWG. NO.</u>	<u>DESCRIPTION</u>
D-UA-M7787-YB-0	INTERFACE CONTROL
K-PL-M7787-YB-DBP	INTERFACE CONTROL
D-CS-M7787-YB-1	INTERFACE CONTROL (DP7)
D-CS-M7787-YB-2	INTERFACE CONTROL (DP0)
D-CS-M7787-YB-3	INTERFACE CONTROL (DP1)
D-CS-M7787-YB-4	INTERFACE CONTROL (DP2)
D-CS-M7787-YB-5	INTERFACE CONTROL (DP3)
D-CS-M7787-YB-6	INTERFACE CONTROL (DP4)
D-CS-M7787-YB-7	INTERFACE CONTROL (DP5)
D-CS-M7787-YB-8	INTERFACE CONTROL (DP6)
D-CS-M7787-YB-9	INTERFACE CONTROL
D-CS-M7787-YB-10	INTERFACE CONTROL SIGNAL CROSS REFERENCE
D-CS-M7787-YB-11	INTERFACE CONTROL SIGNAL CROSS REFERENCE



CABLE CONNECTION CHART				
ITEM NO.	FROM CONNECTION	ITEM NO.	TO CONNECTION	REMARKS
MDLI CABLE ASSY PART OF (ITEM 3 OR 4)	M7777-J1	ISS DRIVE (ITEM 1 OR 2)	ROW B SLOTT 05 CONN. A	
	M7777-J2		ROW B SLOTT 05 CONN. B	
	M7778-J2		ROW B SLOTT 05 CONN. D	
MDLI CABLE ASSY PART OF (ITEM 3 OR 4)	M7778-J1	ISS DRIVE (ITEM 1 OR 2)	ROW A SLOTT 05 CONN. C	
JUMPER CABLE (ITEM 27)	DCL (ITEM 3 OR 4) E1 GND	ISS DRIVE (ITEM 1 OR 2)	T81 GND	
CABLE POWER SEQUENCE (ITEM 28)	DCL (ITEM 3 OR 4) J12	DCL WHEN USED ONLY IN MULTI DRIVE SYSTEM	ADJACENT DCL UNIT J13	
SYSTEM GROUND CABLE (ITEM 31)	SYSTEM GROUND STUD	NEXT DCL SYSTEM GROUND STUD WHEN USED IN A MULTI DRIVE SYSTEM	ADJACENT DCL SYSTEM GROUND STUD	

LEGEND	
NUMBER	VARIATION
RP04-AA	60HZ SINGLE PORT
RP04-AB	50HZ SINGLE PORT
RP04-BA	60HZ DUAL PORT
RP04-BB	50HZ DUAL PORT

NOTES:
 1. FRONT BOLTS ITEM 33, 2 PLACES TYPICAL. REAR BOLTS ITEM 18, 2 PLACES TYPICAL.



QTY	DESCRIPTION	PART NO.	REV
2	DRIVE BOLT	906255-09	33
1	STICKER PWR DASY CHAMA DC 741332-00		32
1	GROUND STRAP	D-R 741227-03	31
1	NUT KEPS, V6-20	9008203	30
1	SKID SHIPING	DPS 1208402-0	29
1	CABLE POWER SEQUENCE	D-1A 700491-01	28
1	JUMPER CABLE ISS F DCL	E-18 700412-0-0	27
1	PACKAGING INSTRUCTIONS	A-91 700445-0-1	26
4	MOD BLOC	A-95 700446-0-0	25
4	TEE NUT 3/8" B	9006288	24
4	WASHER FLAT 1/4" X 1/2" X 1/16"	9006680	23
4	BOLT HEX HEAD 3/8" X 2" X 1/16"	9006290-01	22
2	CABLE ASSY BPS	E-14 80943-02-0	21
4	WASHER INT TOOTH LOCK 3/8"	9006438	20
4	NUT KEP 3/16	9006368	19
2	BOLT 5/16" X 2" X 1/4"	9006280-9	18
1	DISK PACK DATA	A-95 301684-0-0	17
1	RP04-BB IDENT.	A-DC 7412571-0-0	16
1	RP04-BA IDENT.	A-DC 7412570-0-0	15
1	RP04-AA IDENT.	A-DC 7411884-0-0	13
4	WASHER FLAT "B"	9006661	12
1	POWER CABLE	D-AD 7004449-0	11
1	POWER CABLE	D-AD 7006444-0	10
4	SCR PHL THD FORM "B" 3/8"	9006410-1	9
4	WASHER LOCK "B" SPLIT	9006490	8
REF	REF	SYSTEM DIAGRAM	RP04-0-1
1	SERIAL NO. TAG	9008191	6
2	SKIRT FRONT & REAR	C-MD 741193-0-0	5
1	ENCLOSURE ASSY(DCL)	E-AD 1007292-0	4
1	ENCLOSURE ASSY(DCL)	E-AD 1007291-0	3
1	ISS DRIVE 50 HZ	A-95 301684-0-0	2
1	ISS DRIVE 60 HZ	A-95 301684-0-0	1

DISK PACK DRIVE (RP04)

RP04-AA

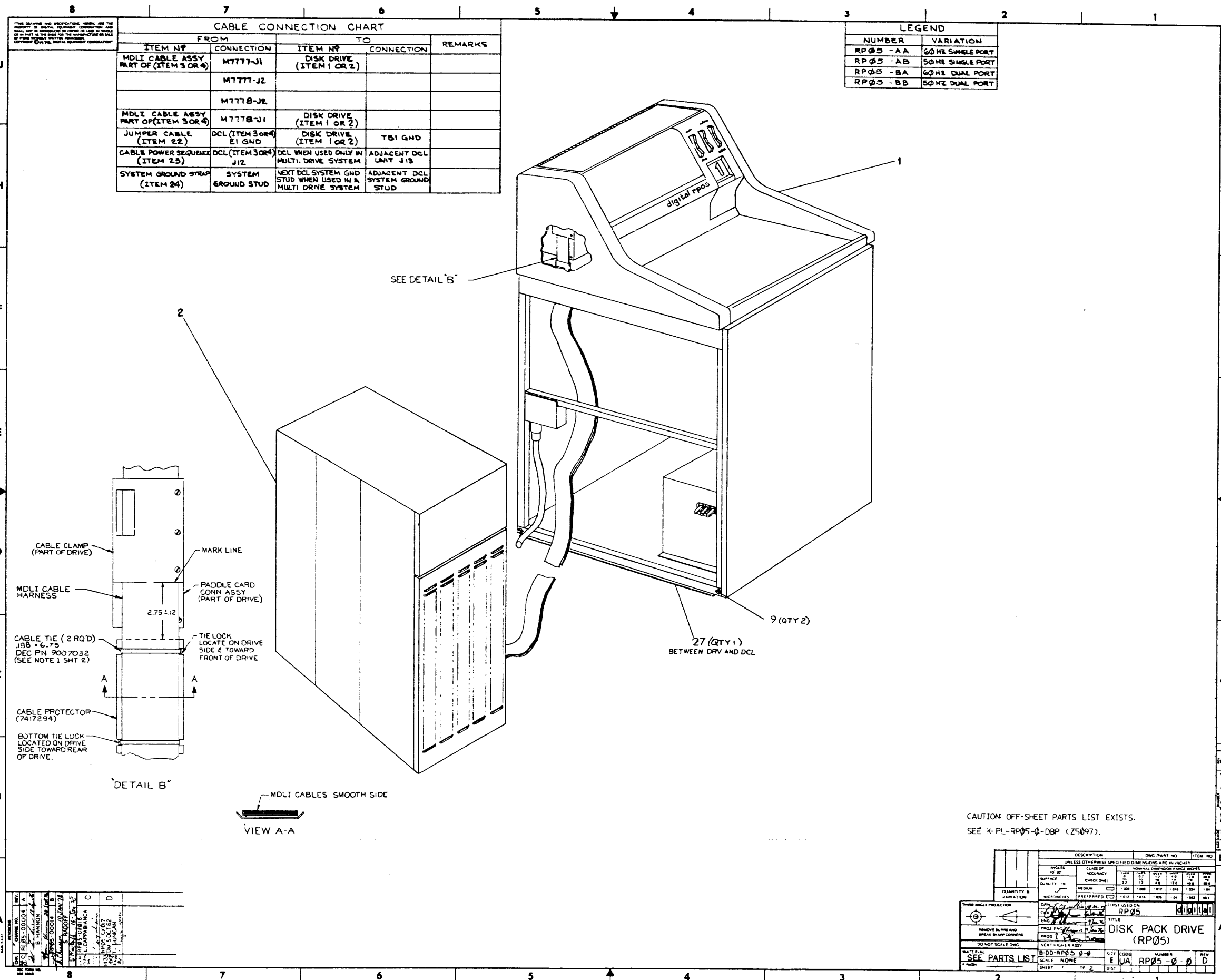
SEE PARTS LIST

DATE: 11/11/68

BY: [Signature]

REV: 1

SCALE: 1" = 1"



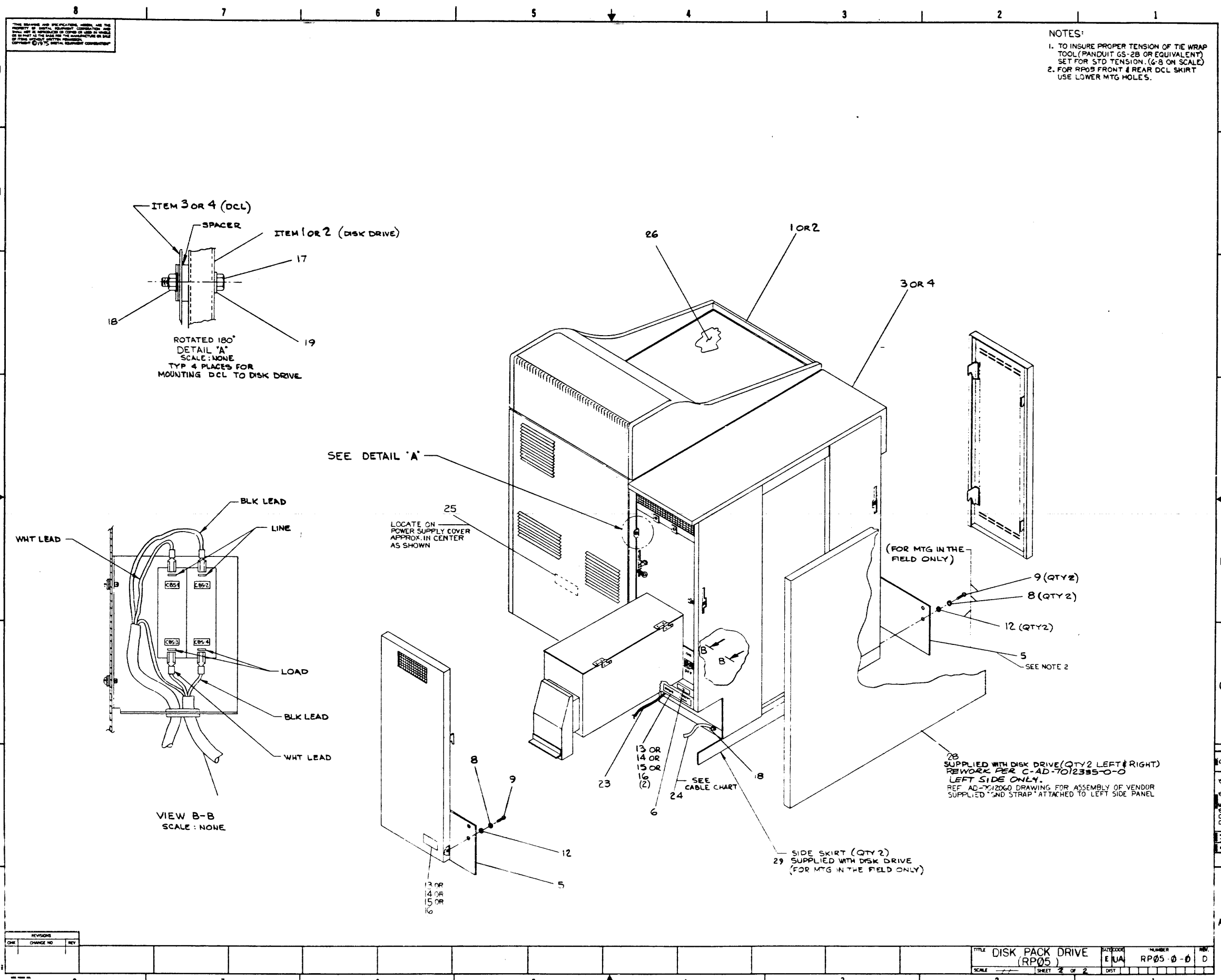
CABLE CONNECTION CHART				
ITEM N°	FROM CONNECTION	ITEM N°	TO CONNECTION	REMARKS
MDLI CABLE ASSY PART OF (ITEM 3 OR 4)	M7777-J1	DISK DRIVE (ITEM 1 OR 2)		
	M7777-J2			
	M7778-JE			
MDLI CABLE ASSY PART OF (ITEM 3 OR 4)	M7778-J1	DISK DRIVE (ITEM 1 OR 2)		
JUMPER CABLE (ITEM 22)	DCL (ITEM 3 OR 4) E1 GND	DISK DRIVE (ITEM 1 OR 2)		TBI GND
CABLE POWER SEQUENCE (ITEM 23)	DCL (ITEM 3 OR 4) J12	DCL WHEN USED ONLY IN MULTI-DRIVE SYSTEM		ADJACENT DCL UNIT J13
SYSTEM GROUND STRAP (ITEM 24)	SYSTEM GROUND STUD	NEXT DCL SYSTEM GND STUD WHEN USED IN A MULTI-DRIVE SYSTEM		ADJACENT DCL SYSTEM GROUND STUD

LEGEND	
NUMBER	VARIATION
RP05 - AA	60 Hz SINGLE PORT
RP05 - AB	50 Hz SINGLE PORT
RP05 - BA	60 Hz DUAL PORT
RP05 - BB	50 Hz DUAL PORT

REV	DESCRIPTION	DATE	BY	CHKD
A	REVISED TO ADD PARTS LIST	10/21/68	J. HANNIN	
B	REVISED TO ADD PARTS LIST	10/21/68	J. HANNIN	
C	REVISED TO ADD PARTS LIST	10/21/68	J. HANNIN	
D	REVISED TO ADD PARTS LIST	10/21/68	J. HANNIN	

CAUTION: OFF-SHEET PARTS LIST EXISTS.
SEE K-PL-RP05-0-DBP (Z5097).

UNLESS OTHERWISE SPECIFIED DIMENSIONS ARE IN INCHES	DESCRIPTION	DWG PART NO.	ITEM NO.
CLASS OF ACCURACY	RP05		
SURFACE QUALITY	CHECK ONE		
MEDIUM	<input type="checkbox"/>		
PREFERRED	<input type="checkbox"/>		
QUANTITY & VARIATION			
PROJ. ENG. DATE	10/21/68		
PROD. ENG. DATE			
DO NOT SCALE DWG			
MATERIAL	B-00-RP05-0-0	SIZE CODE	E UA
SEE PARTS LIST		NUMBER	RP05-0-0
		REV	D
		SHEET	2 OF 2



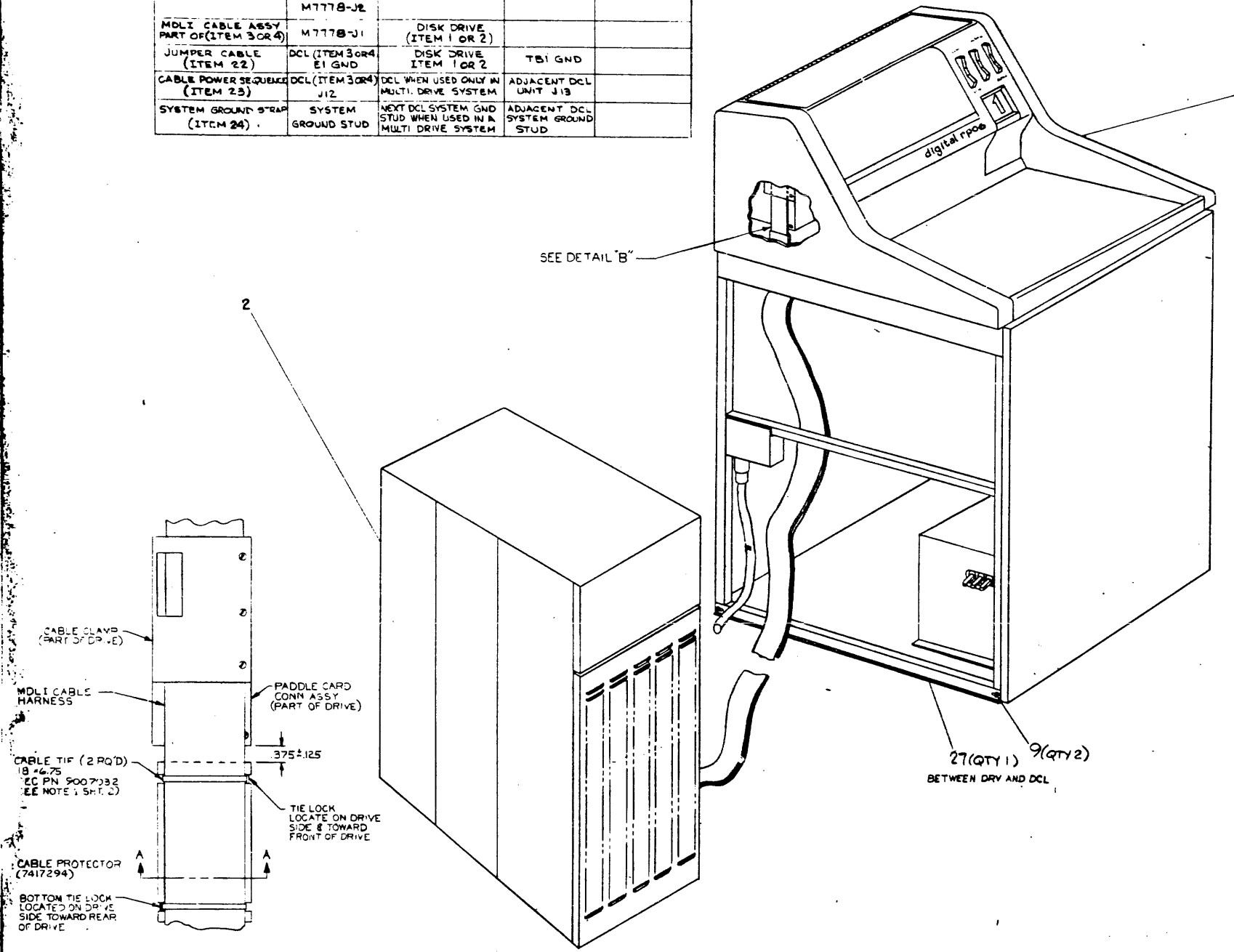
NOTES:
 1. TO INSURE PROPER TENSION OF TIE WRAP TOOL (PANDUIT GS-28 OR EQUIVALENT) SET FOR STD TENSION. (4-8 ON SCALE)
 2. FOR RPOB FRONT & REAR DCL SKIRT USE LOWER MTG HOLES.

REVISIONS		
QTY	CHANGE NO	REV

TITLE	DISK PACK DRIVE (RPOB)	SIZE/COOD	EUA	NUMBER	RP05-0-0	REV	D
SCALE	1:1	SHEET	2	OF	2	DIST	

CABLE CONNECTION CHART				
ITEM NO	FROM CONNECTION	TO CONNECTION	ITEM NO	REMARKS
MDLI CABLE ASSY PART OF (ITEM 3 OR 4)	M7777-J1		DISK DRIVE (ITEM 1 OR 2)	
	M7777-J2			
	M7778-J2			
MDLI CABLE ASSY PART OF (ITEM 3 OR 4)	M7778-J1		DISK DRIVE (ITEM 1 OR 2)	
JUMPER CABLE (ITEM 22)	DCL (ITEM 3 OR 4) E1 GND		DISK DRIVE ITEM 1 OR 2	TBI GND
CABLE POWER SEQUENCE (ITEM 23)	DCL (ITEM 3 OR 4) J12		DCL WHEN USED ONLY IN MULTI DRIVE SYSTEM	ADJACENT DCL UNIT J13
SYSTEM GROUND STRAP (ITEM 24)	SYSTEM GROUND STUD		NEXT DCL SYSTEM GND STUD WHEN USED IN A MULTI DRIVE SYSTEM	ADJACENT DCL SYSTEM GROUND STUD

LEGEND	
NUMBER	VARIATION
RP06-AA	60 HZ SINGLE PORT
RP06-AB	50 HZ SINGLE PORT
RP06-BA	60 HZ DUAL PORT
RP06-BB	50 HZ DUAL PORT



CAUTION: OFF-SHEET PARTS LIST EXISTS.
K-PL-RP06-0-DBP (25092).

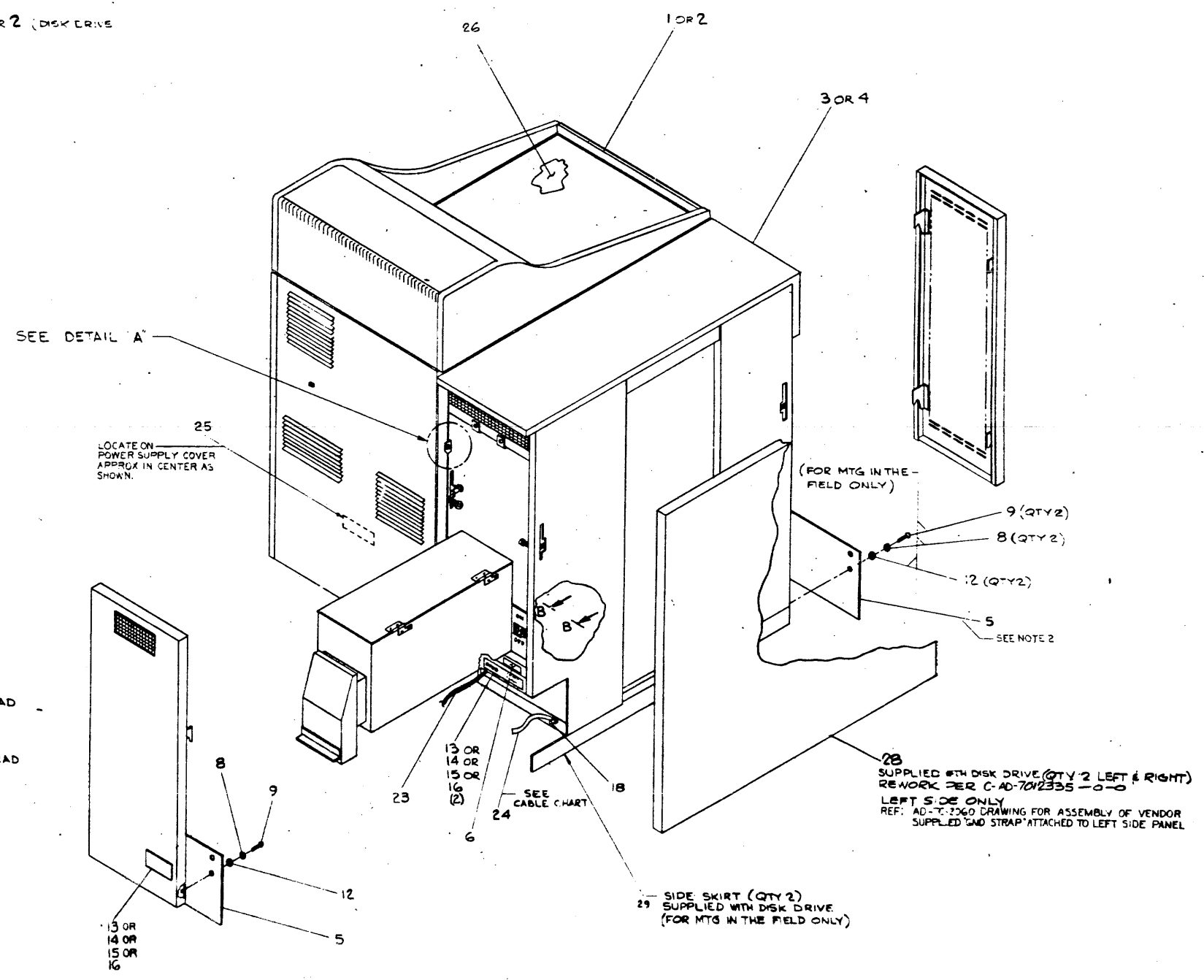
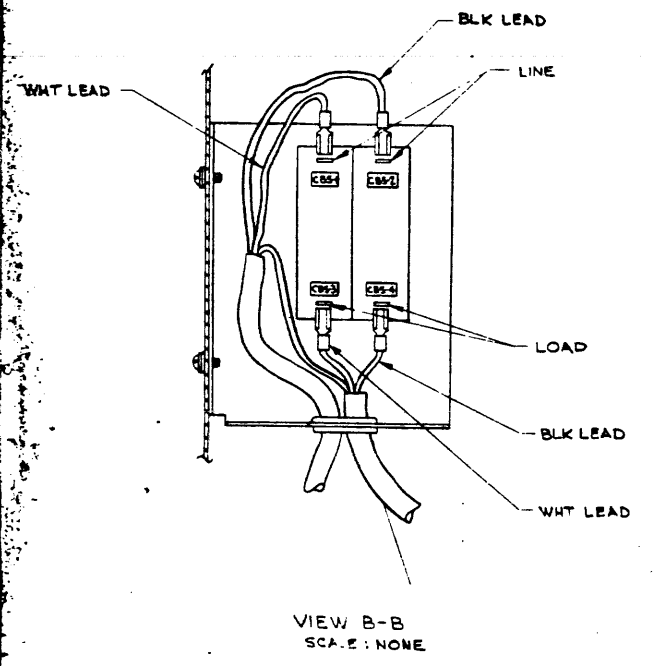
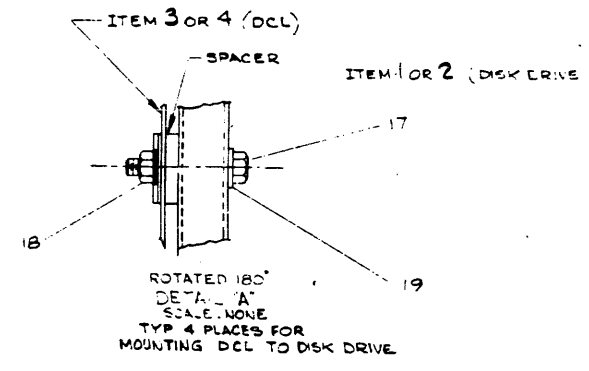
REV	DESCRIPTION	DATE	BY	CHKD
1	ISSUED FOR PRODUCTION			
2	REVISED TO REFLECT CHANGES TO PARTS LIST			
3	REVISED TO REFLECT CHANGES TO PARTS LIST			
4	REVISED TO REFLECT CHANGES TO PARTS LIST			
5	REVISED TO REFLECT CHANGES TO PARTS LIST			
6	REVISED TO REFLECT CHANGES TO PARTS LIST			
7	REVISED TO REFLECT CHANGES TO PARTS LIST			
8	REVISED TO REFLECT CHANGES TO PARTS LIST			

DESCRIPTION	DISK PACK DRIVE (RP06)	ITEM NO	
UNLESS OTHERWISE SPECIFIED DIMENSIONS ARE IN INCHES			
CLASS OF ACCURACY	AS SHOWN		
QUALITY	AS SHOWN		
QUANTITY & VARIATION	AS SHOWN		
DRN	CHY	DATE	10/10/60
PROJ ENG	CHY	DATE	10/10/60
PROJ MGR	CHY	DATE	10/10/60
SCALE	NONE		
SHEET	1	OF	2
REV	0	BY	CHY
DATE		CHKD	CHY
DATE		APPV	CHY
DATE		DATE	

THIS DRAWING IS THE PROPERTY OF THE U.S. GOVERNMENT AND IS TO BE REPRODUCED AS SHOWN IN THIS DRAWING. IT IS TO BE USED FOR THE MANUFACTURE OF THIS DRAWING. IT IS TO BE USED FOR THE MANUFACTURE OF THIS DRAWING.

NOTES

1. TO INSURE PROPER TENSION OF THE WRAP USE THE WRAP TOOL (PANDUIT GS-2B OR EQUIVALENT) SET FOR STD TENSION. (2-8 ON SCALE)
2. FOR RPO6 FRONT & REAR DCL SKIRT USE LOWER MTG HOLES

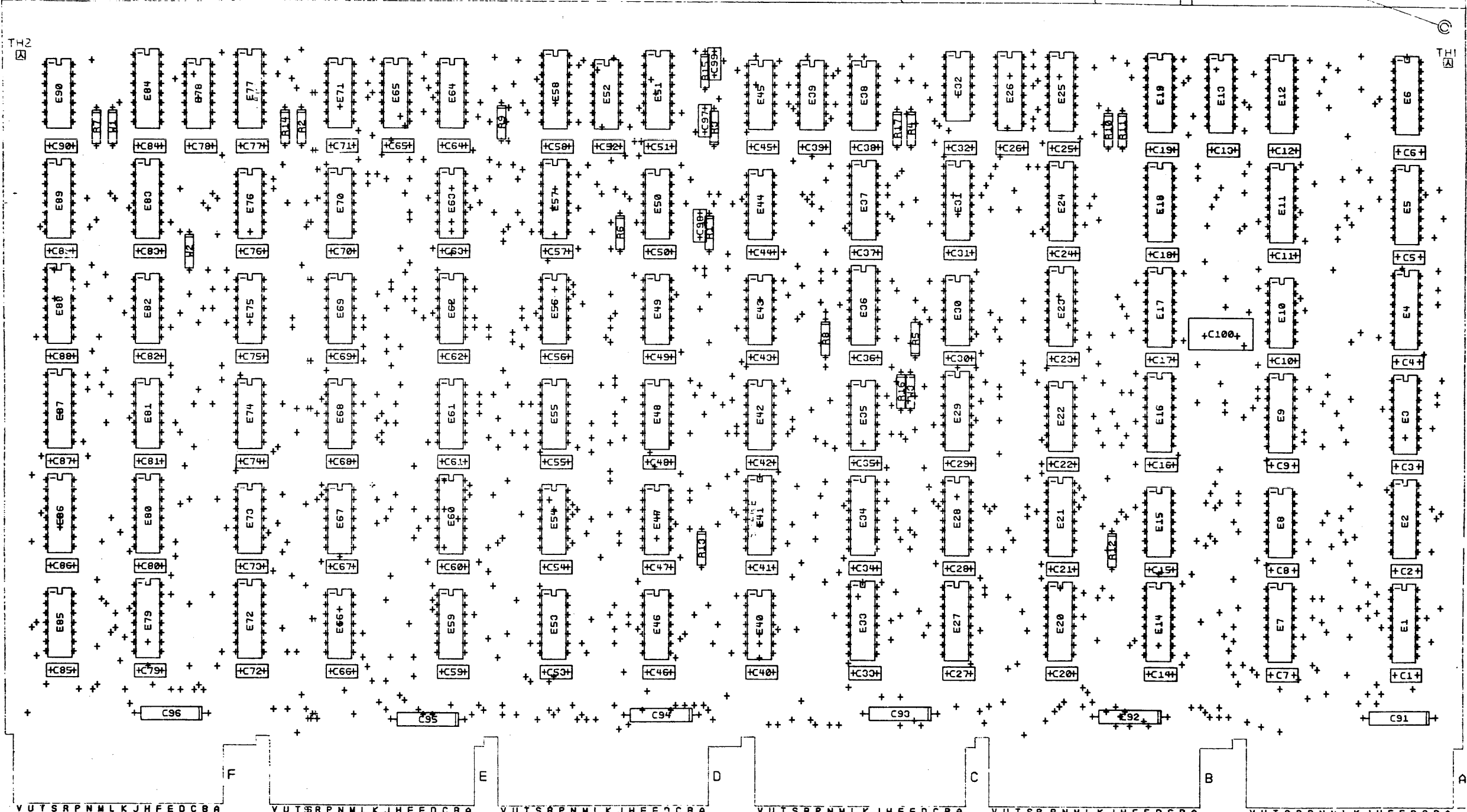
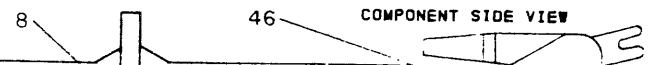


REV	DATE	CHANGE NO	REV

TITLE: DISK PACK DRIVE
 RPO6
 SCALE: 1/8" = 1"
 SHEET 2 OF 2
 DIST: 1

THIS DRAWING AND SPECIFICATIONS, HEREIN, ARE THE PROPERTY OF DIGITAL EQUIPMENT CORPORATION AND SHALL NOT BE REPRODUCED OR COPIED IN WHOLE OR IN PART WITHOUT THE WRITTEN PERMISSION OF DIGITAL EQUIPMENT CORPORATION. © 1979

DUA M7786-0-0 2



D
C
B
A

D
C
B
A

VUTSRPNMLKJHFEDCBA

VUTSRPNMLKJHFEDCBA

VUTSRPNMLKJHFEDCBA

VUTSRPNMLKJHFEDCBA

VUTSRPNMLKJHFEDCBA

VUTSRPNMLKJHFEDCBA

NOTES:
1. ALL DIMENSIONS ARE IN MILLIMETERS UNLESS OTHERWISE SPECIFIED.

CHANGE NO.	REV.	DATE	BY	CHK'D.
1	1	8-27-79		

ETCH REV.	EPI
P.C. DESIGN DATA BASE REV.	EPI

SIGNATURES		DATE	digital
CRN. D. [Signature]		8-27-79	
CHK'D. [Signature]			
ENG. [Signature]			
PROJ. ENG. [Signature]			
PROD. D. CLAPLIN		2/27/79	
SCALE 2/1			
SHT. 1 OF 1			
NEXT HIGHER ASSY: 5-00-M7786-0			

TITLE SEEK SEARCH CONTROL

SIZE CODE NUMBER REV
D UA M7786-0-0

LINE ITEM	DOCUMENT NUMBER	PART NUMBER	DESCRIPTION	QTY PER VARIATION	REFERENCE DESIGNATOR
				00	
1	D-MD-5011765-0-0	5011765-00	M7786	1	
2		1000015-00	82.0 MMF 100V 5%200PPM DM15S	1	C99
3		1000020-00	180.0 MMF 100V 5%200PPM DM15S	1	C97
4		1000023-00	330.0 MMF 100V 5%200PPM DM15S	1	C100
5		1001610-00	.01 MFD 50V -20+80 Z5U AXIAL	90	C1-C90
6		1002424-00	1200.0 MMF 100V 5%200PPM DM15S	1	C98
7		1005306-00	6.8MFD 35V 10% S.TANT	6	C91-C96
8		1210711-02	HANDLE,MODULE,HEX	1	
9		1300202-00	47 1/4W 5% CC	1	R1
10		1300295-00	330 1/4W 5% CC	8	R7,R9-R14,R16
11		1300479-00	10 K 1/4W 5% CC	1	R3
12		1301322-00	180 1/4W 5% CC	2	R6,R17
13		1301424-00	680 1/4W 5% CC	3	R4,R5,R8
14		1301874-00	5.6 K 1/4W 5% CC	1	R15
15		1303179-00	8.2 K 1/4W 5% CC	1	R2
16		1905575-00	7400 NAND GATE-QUAD 2IN	1	E39
17		1905586-00	74H40 NAND GATE-DUAL 4INPU	1	E49
18		1905635-00	DEC 74H20 NAND GATE-DUAL 4INPU	1	E68
19		1909004-00	DEC 7402 NOR GATE-QUAD 2IN	3	E40,E45,E61
20		1909056-00	DEC 74H00 NAND GATE-QUAD 2IN	3	E43,E50,E53
21		1909057-00	DEC 74H10 NAND GATE TRIPLE 3IN	3	E46,E48,E69
22		1909058-00	74H21 AND GATE-DUAL 4INPUT	1	E62
23		1909267-00	DEC 74H11 AND GATE-TRIPLE 3INP	2	E42,E52
24		1909667-00	74H74 FF-D IUAL,EDGE TRIGG	6	E47,E54,E56,E59,E65,E70
25		1909712-00	DEC 8242 COMPARATOR-4BIT N,	1	E30
26		1909928-00	7416 INVERTER GATE-HEX 1I	3	E78,E82,E90
27		1909931-00	DEC 74H04 INVERTER GATE-HEX 1I	4	E35,E44,E63,E66
28		1909932-00	7483 ADDER-4BIT	3	E3,E4,E23
29		1910011-00	DEC 7486 X-OR GATE-QUAD 2INPU	4	E8,E10,E22,E81
30		1910155-00	DEC 7408 AND GATE,FOS.QUAD 2I	3	E32,E38,E55

REVISION HISTORY		BASIC PART NO:	M7786	DRN:	P. KENDRICK	DATE:	27-MAR-79	D I G I T A L			
ENG	ECO NUMBER	REV	SECTION A OF A	CHK'D:	H. WEINBRENNER	DATE:	25-AUG-79	TITLE	PARTS LIST		
	INITIAL	*	SECTION VARIATION INDEX					SEEK SEARCH CONTROL			
	WCM 12 Oct 79		[A] 00								
			[B]								
			[C]	DES. ENG:	P. RAIKUNEN	DATE:	25-AUG-79				
			[D]								
			[E]	RESP. ENG.:	P. RAIKUNEN	DATE:	25-AUG-79	DOCUMENT NUMBER			
			[F]								
			[G]					SIZE CODE NUMBER	REV		
			[H]								
			[I]	MFG. ENG.:	D. CLAFLIN	DATE:	25-AUG-79	K PL	M7786-0-DBP	*	
			[J]								
			[K]	ASSEMBLY NUMBER:		TOP DOCUMENT NUMBER:		FILE NAME:	EDIT #		
			[L]	D-UA-M7786-0-0				Z0850.PLS	5		
			[M]								
			[N]								

*THIS DRAWING AND SPECIFICATIONS HEREIN, ARE THE PROPERTY OF DIGITAL EQUIPMENT CORPORATION AND SHALL NOT BE REPRODUCED OR COPIED OR USED IN WHOLE OR IN PART AS THE BASIS FOR THE MANUFACTURE OR SALE OF ITEMS WITHOUT WRITTEN PERMISSION. COPYRIGHT (C) 1979. DIGITAL EQUIPMENT CORPORATION *

PARTS LIST

LINE ITEM	DOCUMENT NUMBER	PART NUMBER	DESCRIPTION	QTY PER VARIATION 00	REFERENCE DESIGNATOR
31	31	1910224-00	DEC 7485 COMPARATOR-4BIT	10	E19,E24-E26,E28,E29,E31,E34,E36, CONT. E37
32	32	1910408-00	DEC 74H106 FF-JK DUAL,EDGE TRIG	4	E57,E58,E60,E88
33	33	1910436-00	DEC 74123 ONE SHOT-DUAL,RETRIG	1	E51
34	34	1910532-00	74S00 NAND GATE-QUAD 2IN\$	1	E73
35	35	1910534-00	74S04 INVERTER GATE-HEX 1I	1	E76
36	36	1910536-00	74S10 NAND GATE-TRIPLE 3IN	1	E67
37	37	1910537-00	74S11 AND GATE-TRIPLE 3INP	1	E74
38	38	1910544-00	74S74 FF-D DUAL,EDGE TRIGG	1	E85
39	39	1910550-00	74S174 FF-D HEX	2	E84,E89
40	40	1910650-00	74161 COUNTER,SYNCHR. UP	10	E9,E11-E13,E16-E18,E72,E80,E87
41	41	1910651-00	DEC 74175 FF-D QUAD	3	E2,E5,E21
42	42	1910878-00	7427 NOR GATE-TRIPLE 3IN	2	E15,E64
43	43	1910957-00	74S175 FF-D QUAD COMMON CLO	3	E79,E83,E86
44	44	1911315-00	8234 MUX 1 OF 4	7	E1,E6,E7,E14,E20,E27,E33
45	45	1911521-00	7432 OR GATE-QUAD 2IN, PO	1	E75
46	46	9000024-01	EYELET, ROLLED FLANGE, .121 OD X	12	
47	47	9009185-00	JUMPER, WIRE, INSULATED, BLACK B	3	W1-W3
48	48	1909060-00	DEC 74H50 A-0-I XPNDBLE GATE-D	1	E71

D	I	G	I	T	A	L	TITLE	SECTION A OF A	SIZE	CODE	DOCUMENT NUMBER	REV
							SEEK SEARCH CONTROL		K	FL	M7786-0-DRP	*

8

3 1-0-98LZW SD 3000 375

6

5

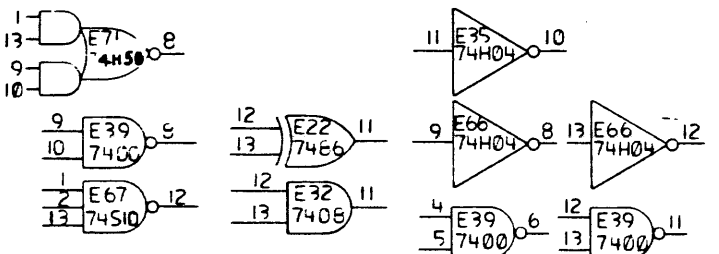
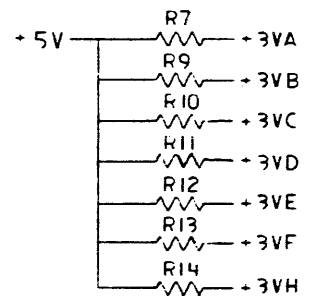
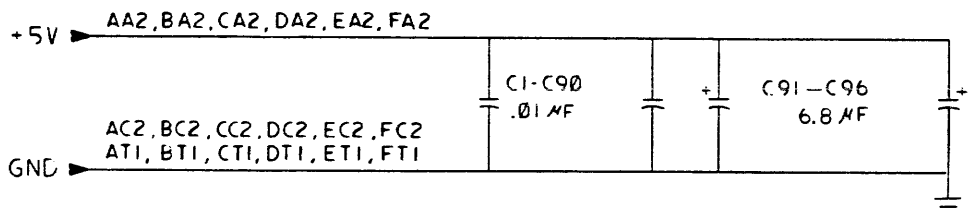
4

3

2

1

THIS DRAWING AND SPECIFICATIONS HEREIN ARE THE PROPERTY OF DIGITAL EQUIPMENT CORPORATION AND SHALL NOT BE REPRODUCED OR COPIED OR USED IN WHOLE OR IN PART AS THE BASIS FOR THE MANUFACTURE OR SALE OF ITEMS WITHOUT WRITTEN PERMISSION. COPYRIGHT © 1979 DIGITAL EQUIPMENT CORPORATION



NOTES:
 1. UNLESS OTHERWISE SPECIFIED, CAPACITANCE IS IN MICROFARADS
 2. RESISTOR VALUES R7, R9 THRU R14 & R16 ARE: 330Ω

REV
ECO NUMBER
DATE

DATE	DATE	TITLE	digital
DES'G	DATE	SEEK SEARCH CONTROL	
REP'G	DATE	DOCUMENT NUMBER	
DATE	DATE	SIZE CODE	NUMBER
BDD-M7786-0		DCS	M7786-0-1
SCALE		SHEET	OF 10

8

7

6

5

4

3

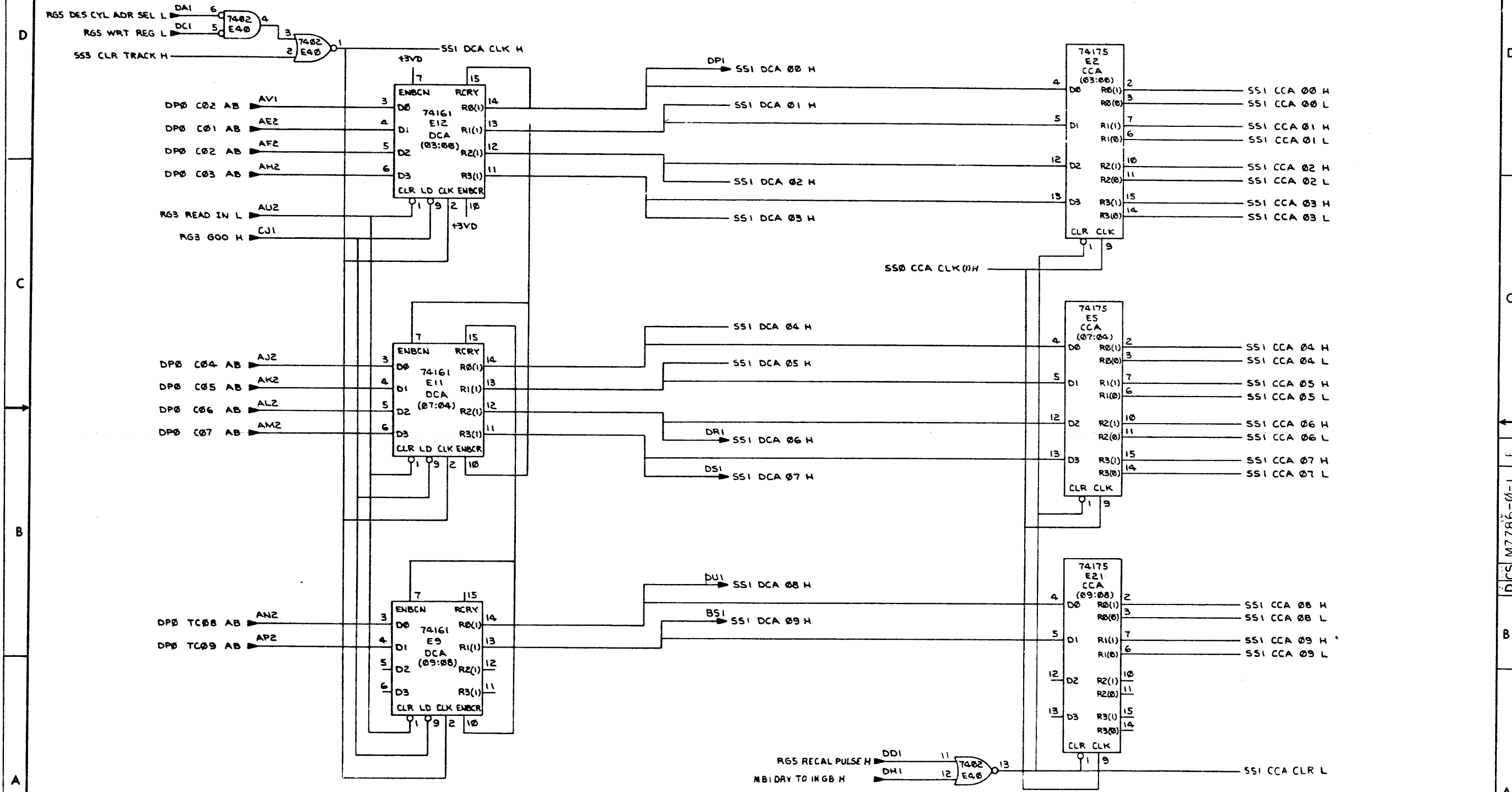
2

1

REV E
 NUMBER M7786-0-1
 SIZE CODE DCS
 B

71 #01

THIS DRAWING AND SPECIFICATIONS HEREIN ARE THE PROPERTY OF DIGITAL EQUIPMENT CORPORATION AND SHALL NOT BE REPRODUCED OR COPIED OR USED IN WHOLE OR IN PART AS THE BASIS FOR THE MANUFACTURE OR SALE OF ITEMS WITHOUT WRITTEN PERMISSION. COPYRIGHT © 1975, DIGITAL EQUIPMENT CORPORATION.



REVISIONS		
CHK	CHANGE NO	REV

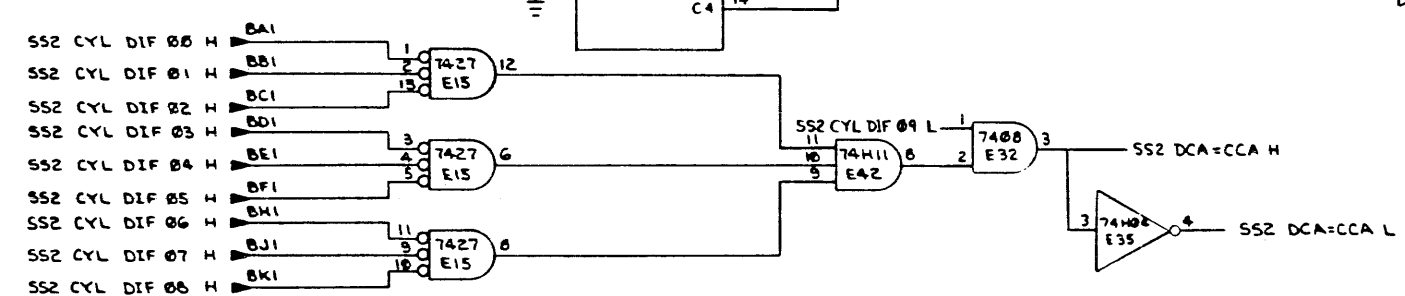
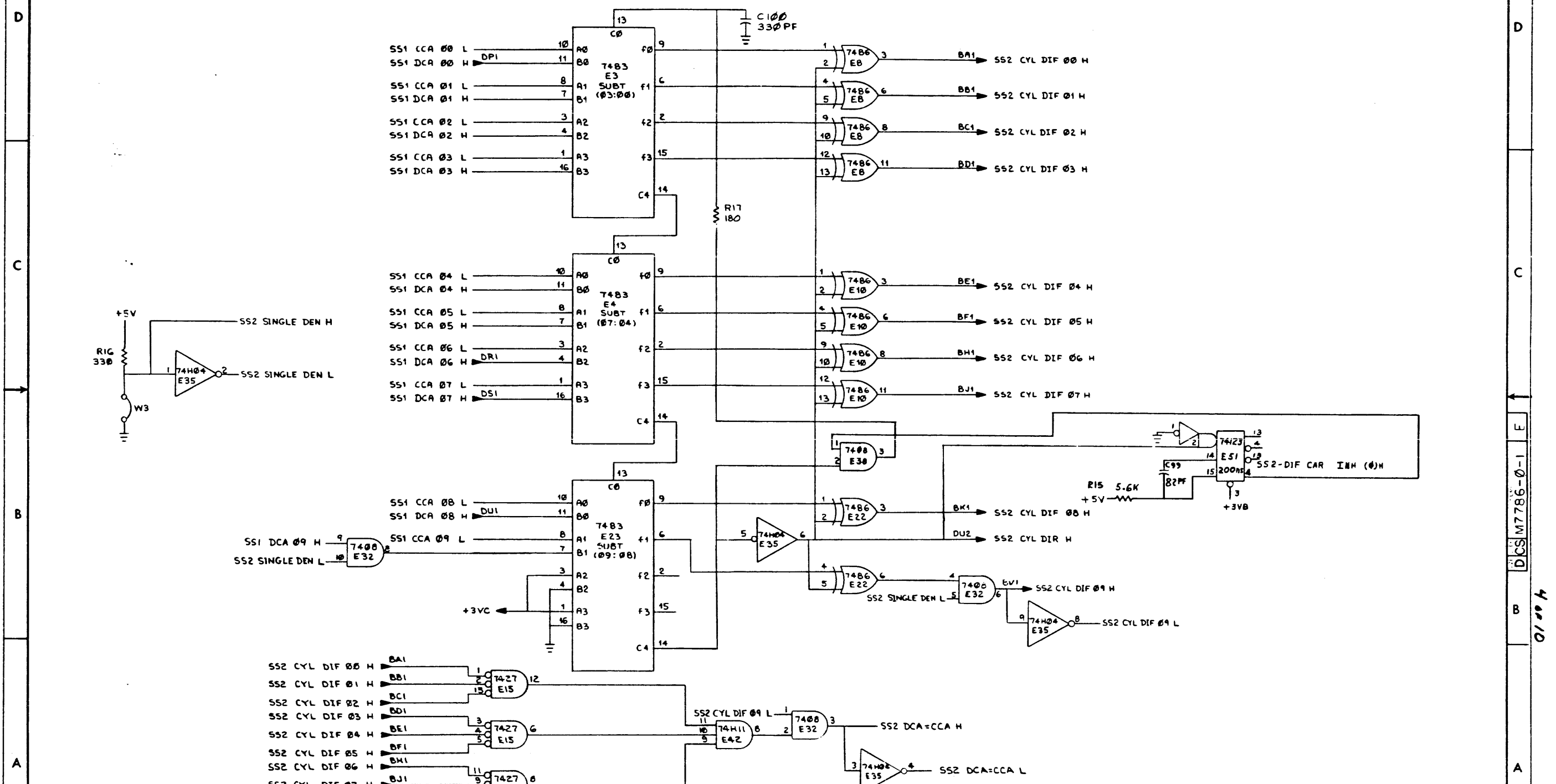
SLOT 7 DCA REG + CCA REG.

TITLE	SEEK SEARCH CONTROL (SSI)	SIZE CODE	D CS	NUMBER	M7786-0-1	REL	E
SCALE	+	SHEET	3	OF 10	DIST		

DCS M7786-0-1 F B 3 of 10

THIS DRAWING AND SPECIFICATIONS HEREIN ARE THE PROPERTY OF DIGITAL EQUIPMENT CORPORATION AND SHALL NOT BE REPRODUCED OR COPIED OR USED IN WHOLE OR IN PART AS THE BASIS FOR THE MANUFACTURE OR SALE OF ITEMS WITHOUT WRITTEN PERMISSION. COPYRIGHT © 1975, DIGITAL EQUIPMENT CORPORATION.

8 7 6 5 4 3 2 1



SLOT 7 CYLINDER DIFFERENCE

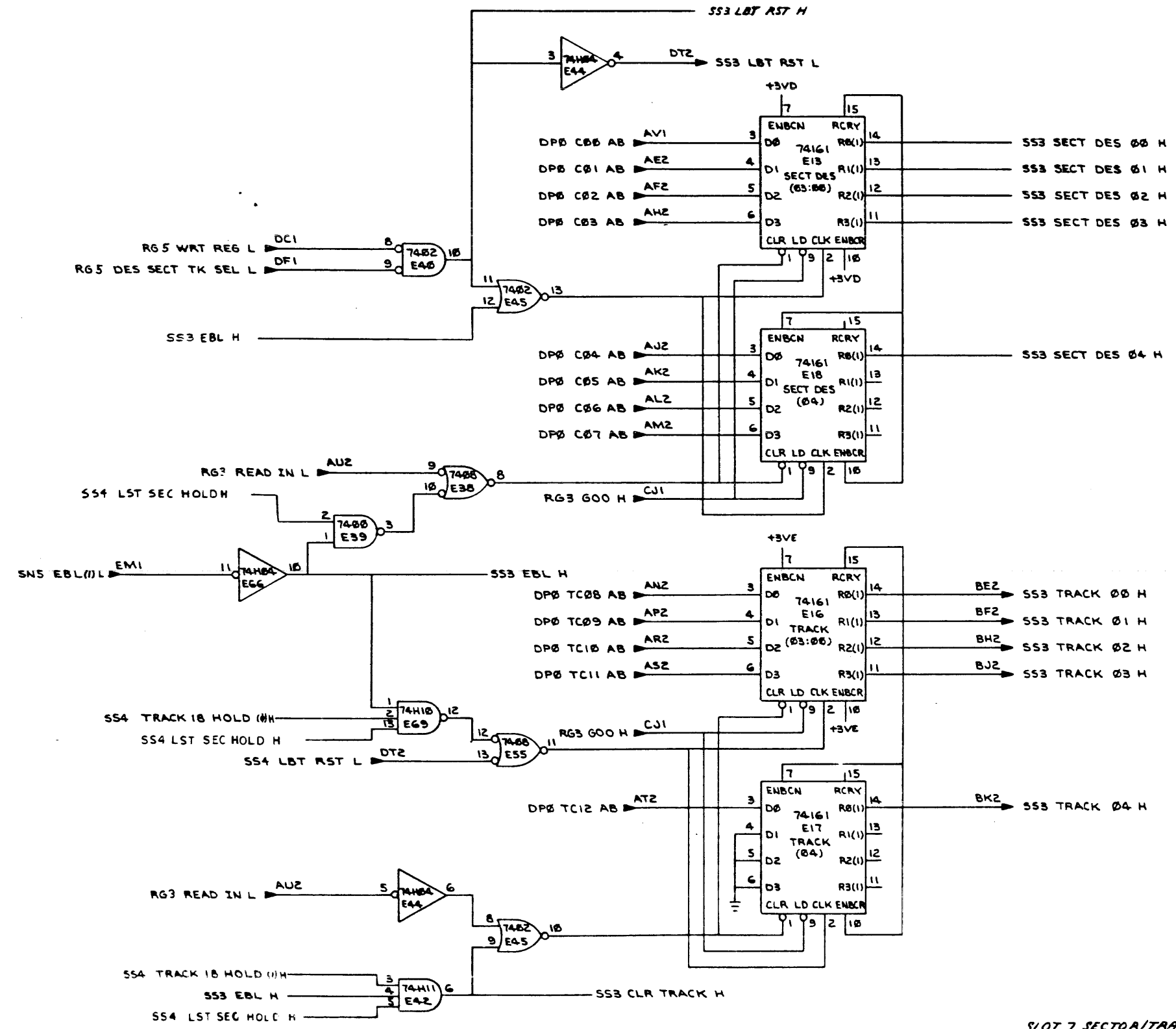
REVISIONS		
CHK	CHANGE NO	REV

TITLE	(SS2) SEEK SEARCH CONTROL	SIZE CODE	DCS	NUMBER	M7786-0-1	REV.	E
SCALE	NONE	SHEET	4 OF 10	DIST			

8 7 6 5 4 3 2 1

DCS M7786-0-1

THIS DRAWING AND SPECIFICATIONS HEREIN ARE THE PROPERTY OF DIGITAL EQUIPMENT CORPORATION AND SHALL NOT BE REPRODUCED OR COPIED OR USED IN WHOLE OR IN PART AS THE BASIS FOR THE MANUFACTURE OR SALE OF ITEMS WITHOUT WRITTEN PERMISSION. COPYRIGHT © 1975, DIGITAL EQUIPMENT CORPORATION.

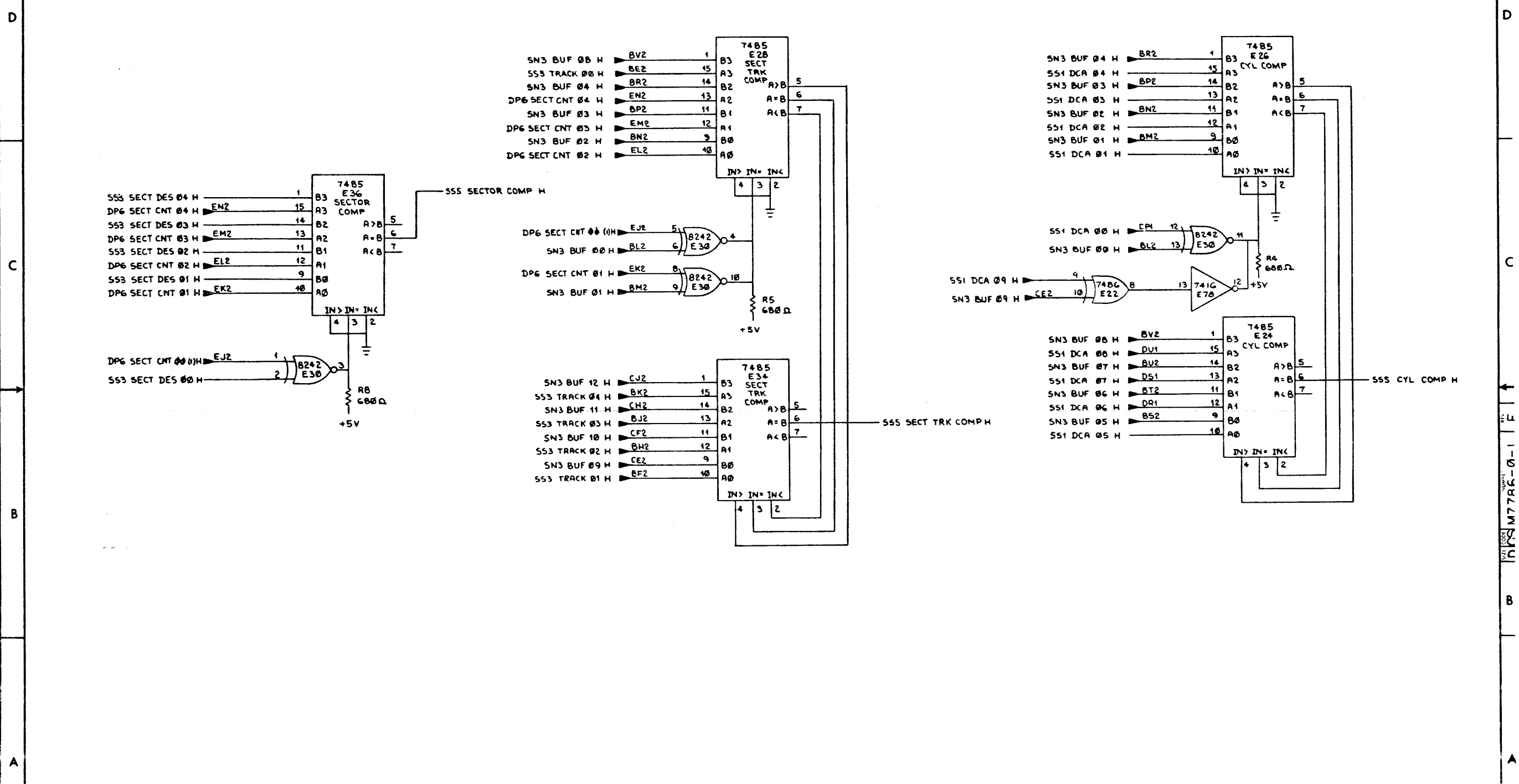


SLOT 7 SECTOR/TRACK REGISTER

REVISIONS		
CHK	CHANGE NO	REV

TITLE	(SS3) SIZE CODE	NUMBER	REV
SEEK SEARCH CONTROL	D/CS	M7786-0-1	E
SCALE	SHEET 5	OF 10	DIST

"THIS DRAWING AND SPECIFICATIONS, HEREIN, ARE THE PROPERTY OF DIGITAL EQUIPMENT CORPORATION AND SHALL NOT BE REPRODUCED OR COPIED OR USED IN WHOLE OR IN PART AS THE BASIS FOR THE MANUFACTURE OR SALE OF ITEMS WITHOUT WRITTEN PERMISSION. COPYRIGHT © 1975, DIGITAL EQUIPMENT CORPORATION"



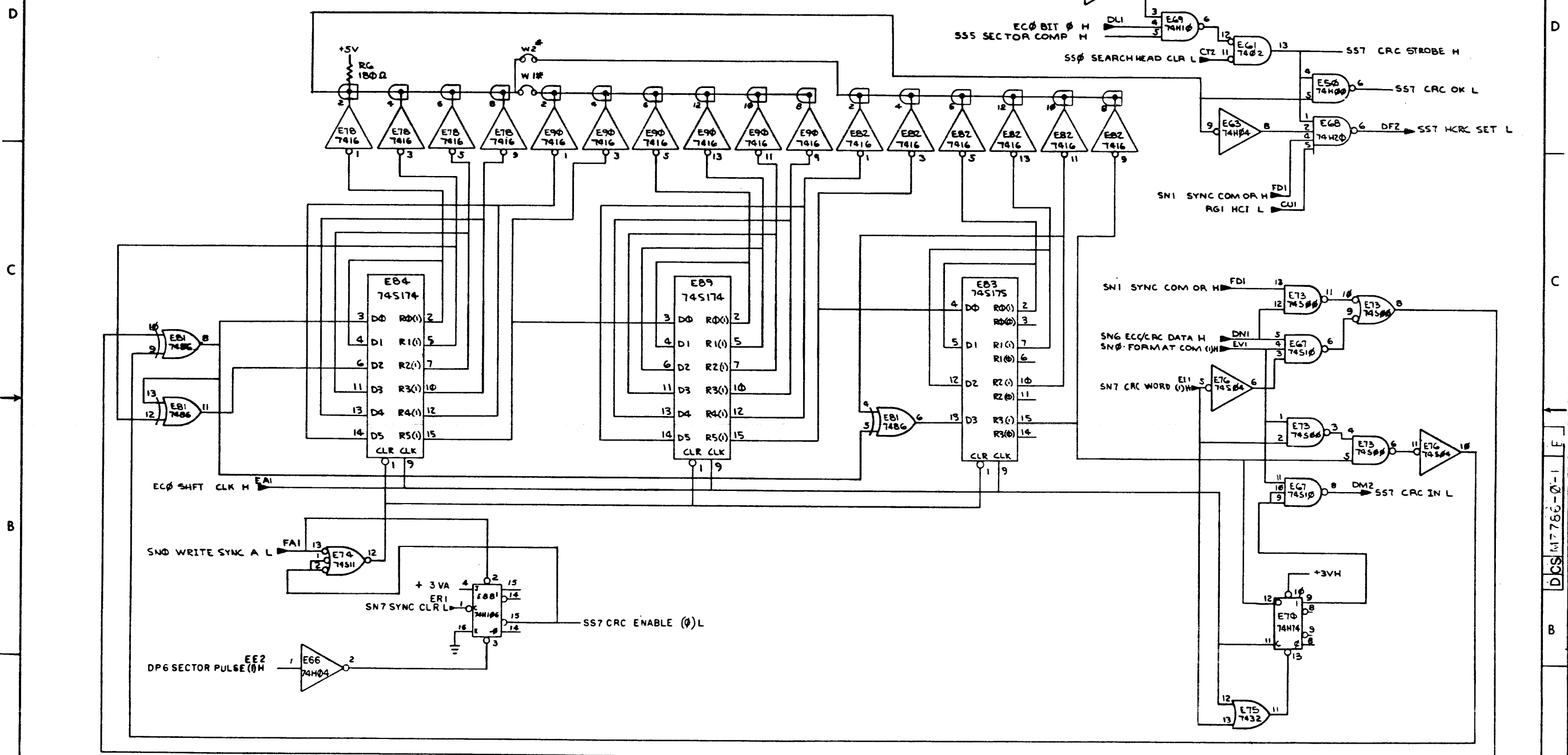
REVISIONS		
CHK	CHANGE NO	REV

TITLE		(S55)	SIZE CODE	NUMBER	REV
SEEK SEARCH CONTROL		D	CS	M7786-0-1	E
SCALE	NONE	SHEET	7	OF 10	DIST.

THIS DRAWING AND SPECIFICATIONS, HEREIN, ARE THE PROPERTY OF DIGITAL EQUIPMENT CORPORATION AND SHALL NOT BE REPRODUCED OR COPIED OR USED IN WHOLE OR IN PART AS THE BASIS FOR THE MANUFACTURE OR SALE OF ITEMS WITHOUT WRITTEN PERMISSION. COPYRIGHT © 1975, DIGITAL EQUIPMENT CORPORATION.

⊞ = WIRED AND

* W1 + W2 ARE FOR TROUBLE-SHOOTING PURPOSES.

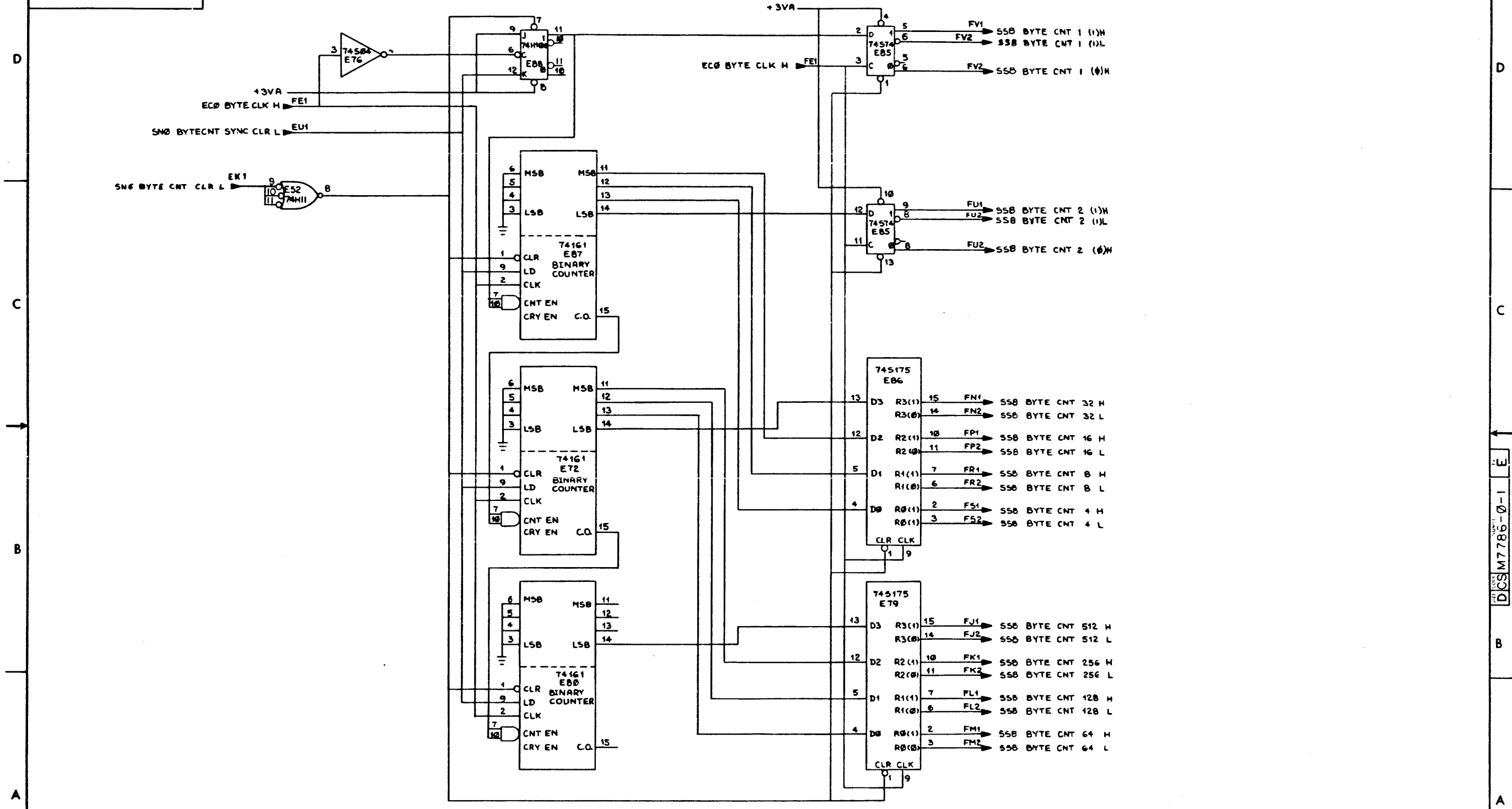


REVISIONS		
CHR	CHANGE NO	REV

SLOT 7 CRC CIRCUITRY

TITLE	(S57)	SIZE CODE	NUMBER	REV.
SEEK SEARCH CONTROL	DCS	M7796-0-1	E	
SCALE	SHEET 9 OF 10	DIST		

THIS DRAWING AND SPECIFICATIONS HEREIN ARE THE PROPERTY OF DIGITAL EQUIPMENT CORPORATION AND SHALL NOT BE REPRODUCED OR COPIED OR USED IN WHOLE OR IN PART AS THE BASIS FOR THE MANUFACTURE OR SALE OF ITEMS WITHOUT WRITTEN PERMISSION. COPYRIGHT © 1975 DIGITAL EQUIPMENT CORPORATION



REVISIONS		
CHK	CHANGE NO	REV

SLOT 7 BYTE COUNTER

TITLE	(SSB) SEEK SEARCH CONTROL	SIZE CODE	D CS	NUMBER	M7786-0-1	REV.	E
SCALE	NONE	SHEET	10	OF 10	DIST.		

10 of 10
DCS M7786-0-1 E

THIS DRAWING AND SPECIFICATIONS, HEREIN, ARE THE PROPERTY OF ELECTRONIC EQUIPMENT CORPORATION AND SHALL NOT BE REPRODUCED OR COPIED IN WHOLE OR IN PART WITHOUT THE WRITTEN PERMISSION OF ELECTRONIC EQUIPMENT CORPORATION.

COMPONENT SIDE VIEW



NOTES:

CHANGE NO	REV
MLOO08	J
C. SOTO	

ETCH REV. E-02
P.C. DESIGN DATA BASE REV. E

SIGNATURES	DATE	digital	
DRN. STU EVANS	6/6/73		
CHK'D. J. SOTO	6/7/73		
ENG. J. SOTO	6/7/73		
PROJ. ENG. J. SOTO	6/7/73		
PROD. J. SOTO	6/7/73	TITLE	
SCALE 2/1		SYNC LOGIC	
SHT. 1 OF 3	SIZE CODE	NUMBER	REV
NEXT HIGHER ASSY.	D UA	M7773-0-0	J

8

7

6

5

4

3

2 DUA M773-0-0

1

THIS DRAWING AND SPECIFICATIONS ARE THE PROPERTY OF DIGITAL EQUIPMENT CORPORATION AND SHOULD BE REPRODUCED AND USED ONLY IN ACCORDANCE WITH THE MANUFACTURE OR SALE OF THE PRODUCTS OF DIGITAL EQUIPMENT CORPORATION. ©1978 DIGITAL EQUIPMENT CORPORATION

LAYER 1

M7773 501066 7E-P2

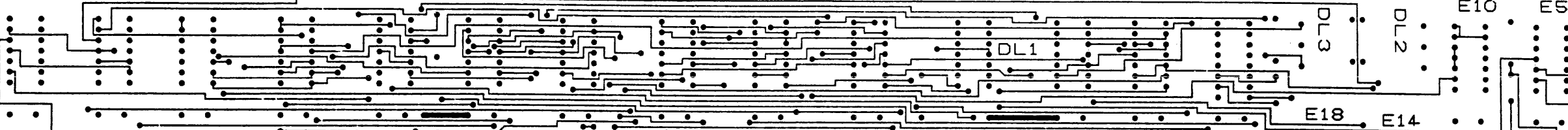
D

CS#ABCDEFGHIJKLMNPRS

SIDE 1

digital

E87 E82 E77 E72 E67 E62 E57 E52 E47 E42 E37 E33 E28 E23 E10 E5



C

B

A

D

C

J

B

A

DUA M773-0-0

REVISIONS		
CHK	CHANGE NO	REV

3

7

6

5

4

3

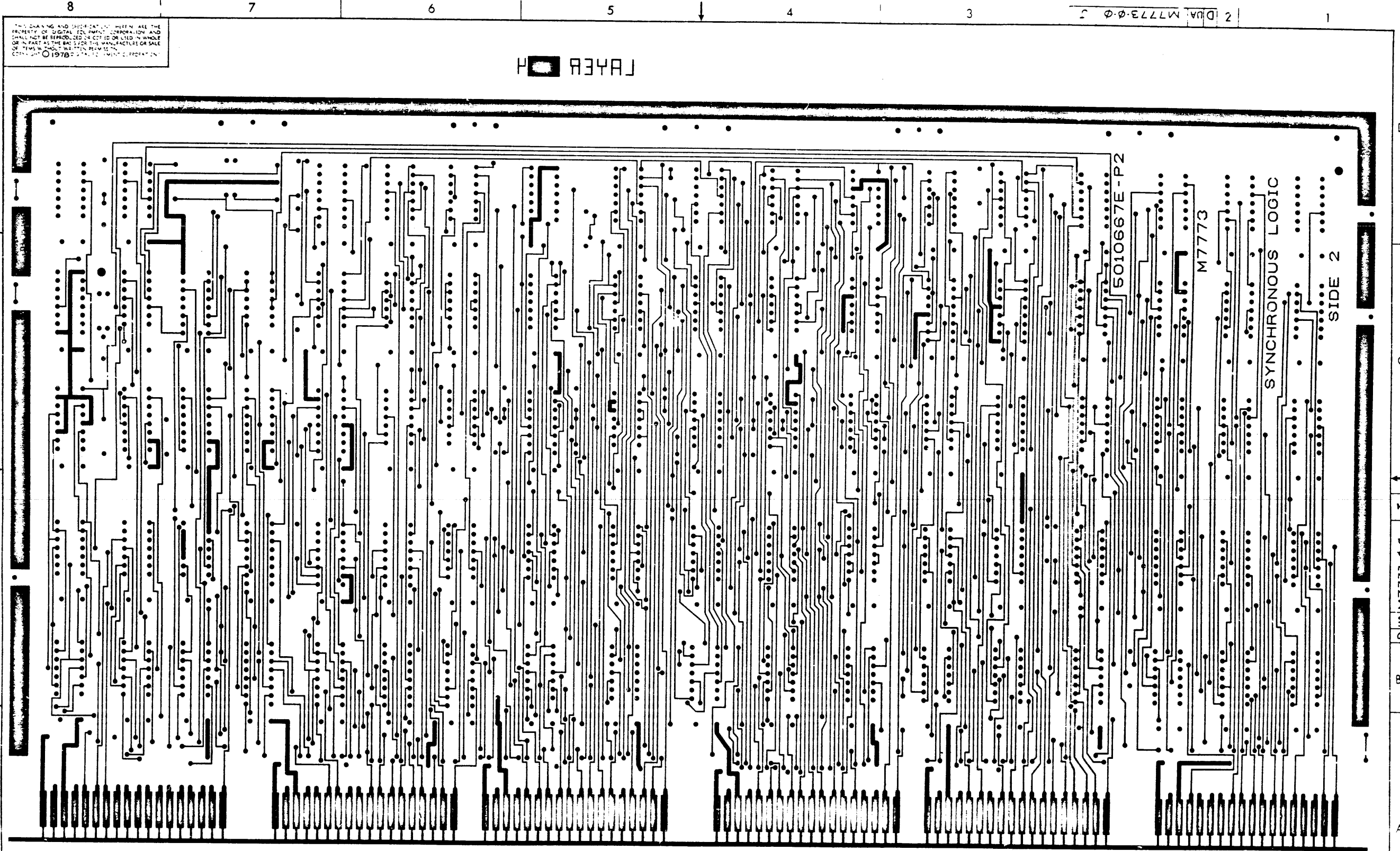
2

1

TITLE SYNC LOGIC

REVISION NUMBER DUA M773-0-0 J

SCALE 2:1 SHEET 2 OF 3



THIS DRAWING AND SPECIFICATION HEREIN ARE THE PROPERTY OF DIGITAL EQUIPMENT CORPORATION AND SHALL NOT BE REPRODUCED, COPIED OR USED IN WHOLE OR IN PART AS THE BASIS FOR THE MANUFACTURE OR SALE OF ITEMS WITHOUT WRITTEN PERMISSION. COPYRIGHT © 1978 DIGITAL EQUIPMENT CORPORATION.

H R3YAJ

REVISION		
NO.	CHANGES	BY

TITLE	SYNCHRONOUS LOGIC	SIZE CODE	NUMBER
SCALE	2:1	SHEET	3 OF 3
DUA M7773-0-0		J	

LINE	ITEM	DOCUMENT NUMBER	PART NUMBER	DESCRIPTION	QTY	REFERENCE DESIGNATOR
1	1	D-UA-M7773-0-0		UNIT ASSY DWG		REF
2	2	D-MD-5010667-0-0		DRILL AND ETCH DWG		REF
3	3	B-MH-M7773-0-6		MODULE ECO HISTORY		REF
4	4		5010667-00	BOARD, DRILLED & ETCHED (M7773)	1	
5	5		1000015-00	82.0 MMF 100V 5%200PPM DM15S	1	C89
6	6		1000023-00	330.0 MMF 100V 5%200PPM DM15S	1	C90
7	7		1002476-00	510.0 MMF 100V 5%200PPM DM15S	1	C97
8	8		1001610-00	.01 MFD 50V -20+80 Z5U AXIAL	87	C1-C87
9	9		1005306-00	6.8MFD 35V 10% S.TANT	6	C91-C96
10	10		1100114-00	D 664 QS\75PCB PIV= 25V SP	1	D1
11	11		1610080-00	DELAY= 18NS,0TAPS	1	DL3
12	12		1605528-00	DELAY= 30NS,0TAPS DL5184	1	DL2
13	13		1611300-00	DELAY= 10-125NS,STAPS FAST RISE	1	DL1
14	14		1300295-00	330 1/4W 5% CC	7	R1,R2,R9,R11,R14,R15,R16
15	15		1210711-02	HANDLE,MODULE,HEX	1	
16	16		1300271-00	220 1/4W 5% CC	1	R3
17	17		1300479-00	10 K 1/4W 5% CC	2	R4,R18
18	18		1300490-00	15 K 1/4W 5% CC	1	R5
19	19		1301424-00	680 1/4W 5% CC	3	R10,R13,R17
20	20		1301425-00	300 1/4W 5% CC	2	R8,R12
21	21		1301874-00	5.6 K 1/4W 5% CC	2	R6,R7
22	22		1905586-00	74H40 NAND GATE-DUAL 4INPU	1	E32
23	23		1905635-00	DEC 74H20 NAND GATE-DUAL 4INPU	1	E37
24	24		1909004-00	DEC 7402 NOR GATE-QUAD 2IN	2	E26,E75
25	25		1909056-00	DEC 74H00 NAND GATE-QUAD 2IN	8	E28,E31,E34,E40,E45,E48,E51,E49
26	26		1909057-00	DEC 74H10 NAND GATE TRIPLE 3IN	3	E44,E60,E74
27	27		1909058-00	74H21 AND GATE-DUAL 4INPUT	6	E78,E79,E83,E84,E85,E86
28	28		1909060-00	DEC 74H50 A-0-I XFNDBLE GATE-D	1	E87
29	29		1909667-00	74H74 FF-D DUAL,EDGE TRIGG	3	E50,E57,E76
30	30		1909931-00	DEC 74H04 INVERTER GATE-HEX 1I	6	E1,E6,E11,E35,E39,E42

REVISION HISTORY			
ENG	ECO NUMBER	REV	SECTION 1 OF 1
C.L	M7773-ML008	J	SECTION. VARIATION INDEX
			1.00
			2.
			3.
			4.
			5.
			6.
			7.
			8.
			9.
			10.
			11.
			12.

RESP. ENG.: K.GRIGGS	DATE: 27-OCT-78	D I G I T A I L
MADE BY: H.DARSHJIAN	DATE: 27-OCT-78	TITLE PARTS LIST
CHECKED: W.MAJOR	DATE: 27-OCT-78	SYNCHRONOUS LOGIC (SN BOARD)
DSN. ENG.: K.GRIGGS	DATE: 27-OCT-78	SIZE CODE DOCUMENT NUMBER REV
PROD.: D.LIGNOS	DATE: 27-OCT-78	K FL M7773-0-DBP J
ASSEMBLY NUMBER: D-UA-M7773-0-0	PART NUMBER: M7773	EDIT 5

*THIS DRAWING AND SPECIFICATIONS HEREIN, ARE THE PROPERTY OF DIGITAL EQUIPMENT CORPORATION AND SHALL NOT BE REPRODUCED OR COPIED OR USED IN WHOLE OR IN PART AS THE BASIS FOR THE MANUFACTURE OR SALE OF ITEMS WITHOUT WRITTEN PERMISSION. COPYRIGHT 1979. DIGITAL EQUIPMENT CORPORATION *

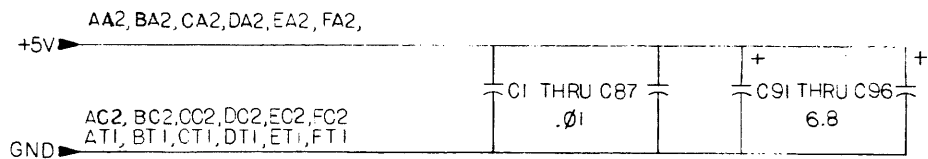
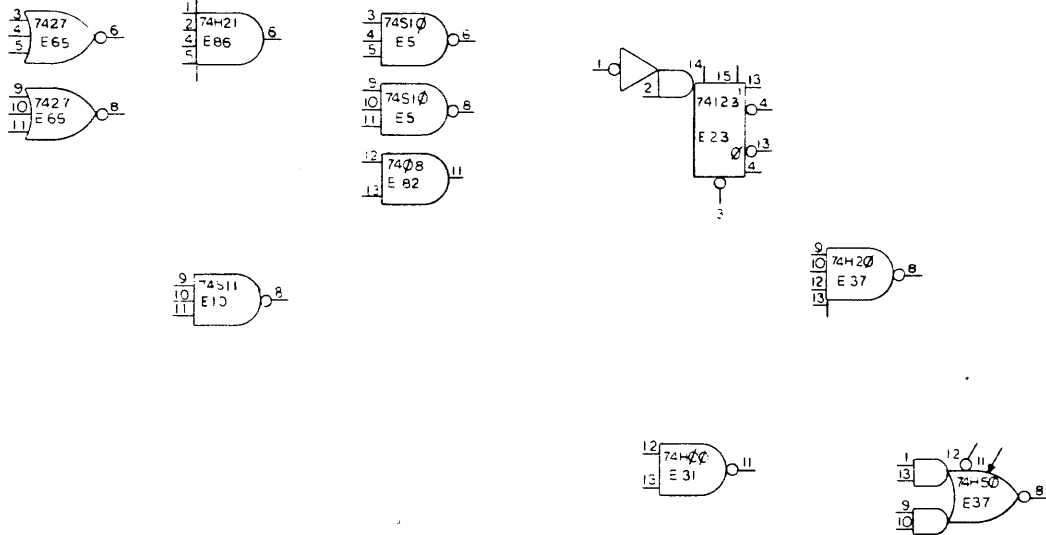
LINE	ITEM	DOCUMENT NUMBER	PART NUMBER	DESCRIPTION	QTY	REFERENCE DESIGNATOR
31	31		1910055-00	DEC 74H22 NAND GATE-DUAL 4INPU	1	E81
32	32		1910155-00	DEC 7408 AND GATE,POS,QUAD 2I	3	E41,E62,E82
33	33		1910408-00	DEC 74H106 FF-JK DUAL,EDGE TRIG	3	E14,E61,E66
34	34		1910436-00	DEC 74123 ONE SHOT-DUAL,RETRIG	3	E4,E36,E23
35	35		1910532-00	74S00 NAND GATE-QUAD 2IN\$	6	E46,E47,E53,E58,E59,E71
36	36		1910533-00	74S03 NAND GATE-QUAD 2IN,0	1	E69
37	37		1910536-00	74S10 NAND GATE-TRIFLE 3IN	5	E5,E22,E27,E38,E52
38	38		1910537-00	74S11 AND GATE-TRIFLE 3INP	4	E10,E54,E55,E70
39	39		1910539-00	74S20 NAND GATE-DUAL 4INPU	1	E33
40	40		1910540-00	74S22 NAND GATE-DUAL 4INPU	1	E18
41	41		1910534-00	74S04 INVERTER GATE-HEX 1I	2	E9,E63
42	42		1910544-00	74S74 FF-D DUAL,EDGE TRIGG	4	E56,E73,E64,E67
43	43		1910541-00	74S40 NAND GATE-DUAL 4IN,B	1	E43
44	44		1910623-00	74194 SHIFT REG.,4BIT RIGH	5	E8,E13,E17,E20,E29
45	45		1910655-00	74157 MUX 2 TO 1 QUAD	2	E3,E21
46	46		1910724-00	74180 PARITY TREE,8BIT GEN	3	E2,E7,E12
47	47		1910878-00	7427 NOR GATE-TRIFLE 3IN	2	E30,E65
48	48		1911271-00	74298 MUX 1 OF 4 W/STORA	5	E15,E16,E19,E24,E25
49	49		1909267-00	DEC 74H11 AND GATE-TRIPLE 3INF	1	E80
50	50		1910041-00	DEC 74164 SHIFT REG.,8BIT SERI	3	E68,E72,E77
51	51		9000024-01	EYELET, ROLLED FLANGE, .121 OD X	12	
52	52		1000020-00	180.0 MMF 100V 5%200PPM DM15S	1	C98
53	53		1000019-00	150.0 MMF 100V 5%200PPM DM15S	1	C98
54	54		9105740-55	*** THIS ITEM IS NOT USED ***	-	

D	I	C	I	T	A	L	TITLE	SECTION	1	OF	1	SIZE	CODE	DOCUMENT NUMBER	REV
							SYNCHRONOUS LOGIC (SN BOARD)					K	PL	M7773-0-DBP	J

THIS DRAWING AND SPECIFICATIONS HEREIN ARE THE PROPERTY OF DIGITAL EQUIPMENT CORPORATION AND SHALL NOT BE REPRODUCED OR COPIED OR USED IN WHOLE OR IN PART AS THE BASIS FOR THE MANUFACTURE OR SALE OF ITEMS WITHOUT WRITTEN PERMISSION.
 COPYRIGHT © 1978 DIGITAL EQUIPMENT CORPORATION

NOTES:
 1 UNLESS OTHERWISE SPECIFIED CAPACITANCE IS IN MICROFARADS.

D
C
B
A

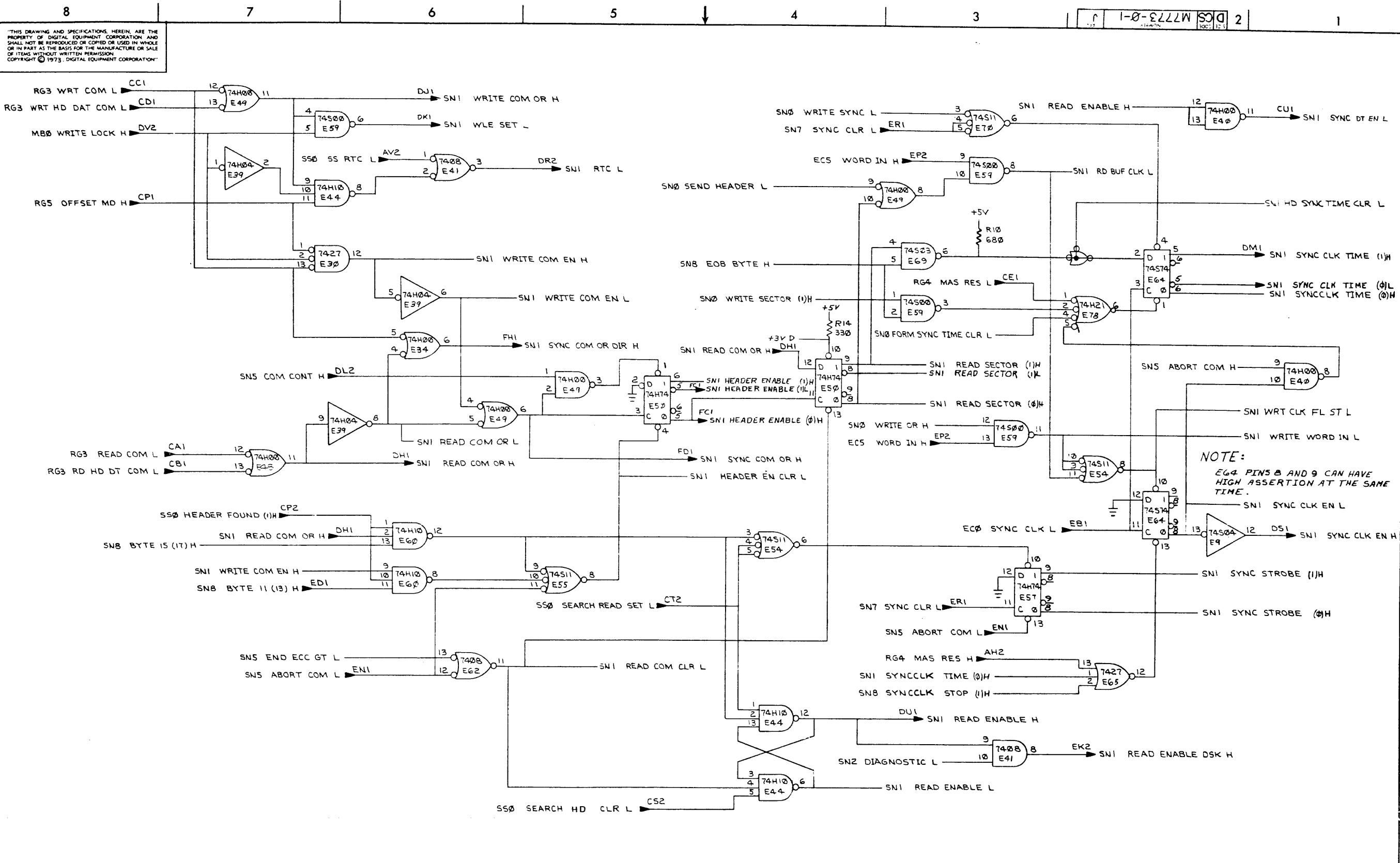


74H106	13	5	
74 123	8	16	
74 194	8	16	
74 157	8	16	
74 198	8	16	
IC TYPE	GND	+5V	

GND AND 5V ARE USUALLY PIN 7 AND 14 RESPECTIVELY EXCEPTIONS ARE STATED ABOVE

IC PIN LOCATIONS

FIRST USED ON OPTION MODEL RP04		QTY	REF. DESIGNATION	DESCRIPTION	PART NO.	ITEM NO.
PARTS LIST						
ETCH BOARD REV. E						
DRN. H DARAKAJIAN DATE 12-73		 TITLE SYNCHRONOUS LOGIC (SN BOARD) SIZE CODE NUMBER REV. D CS M7773-0-1 J				
CHK'D. W. MAJOR DATE 3-74						
ENG. K.M. GRIGGS DATE 3-74						
PROJ. ENR. D. LEGNOS DATE 3-74						
PROG. A. KALBERG DATE 3-74						
NEXT HIGHER ASSY						
DEC NO.	EIA NO.	DEC NO.	EIA NO.			
SEMICONDUCTOR CONVERSION CHART						
SCALE						
SHEET		1 OF 10				



THIS DRAWING AND SPECIFICATIONS, HEREIN, ARE THE PROPERTY OF DIGITAL EQUIPMENT CORPORATION AND SHALL NOT BE REPRODUCED OR COPIED OR USED IN WHOLE OR IN PART AS THE BASIS FOR THE MANUFACTURE OR SALE OF ITEMS WITHOUT WRITTEN PERMISSION. COPYRIGHT © 1973, DIGITAL EQUIPMENT CORPORATION.

1-0-2222W SCD 2

REVISIONS		
CHK	CHANGE NO	REV

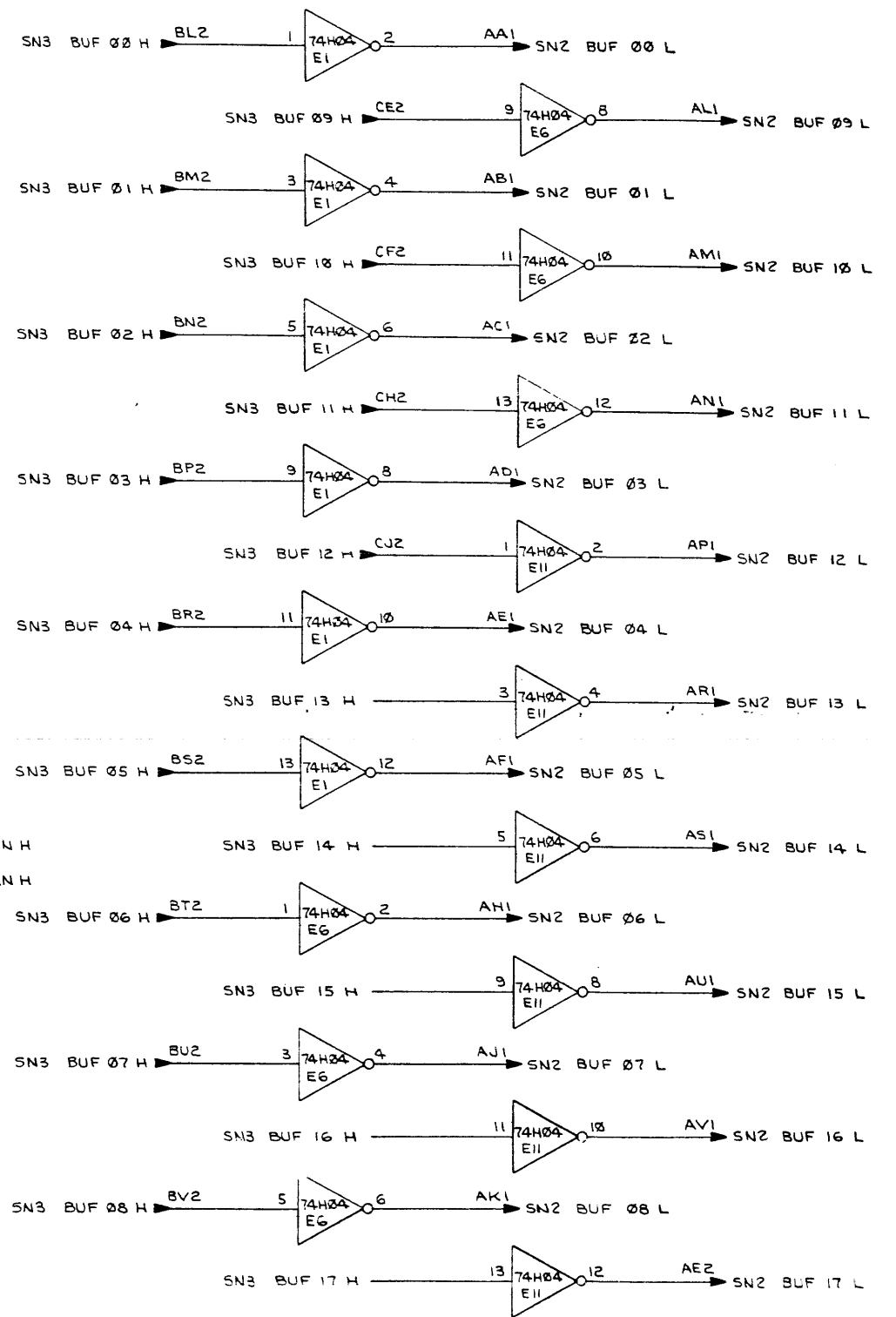
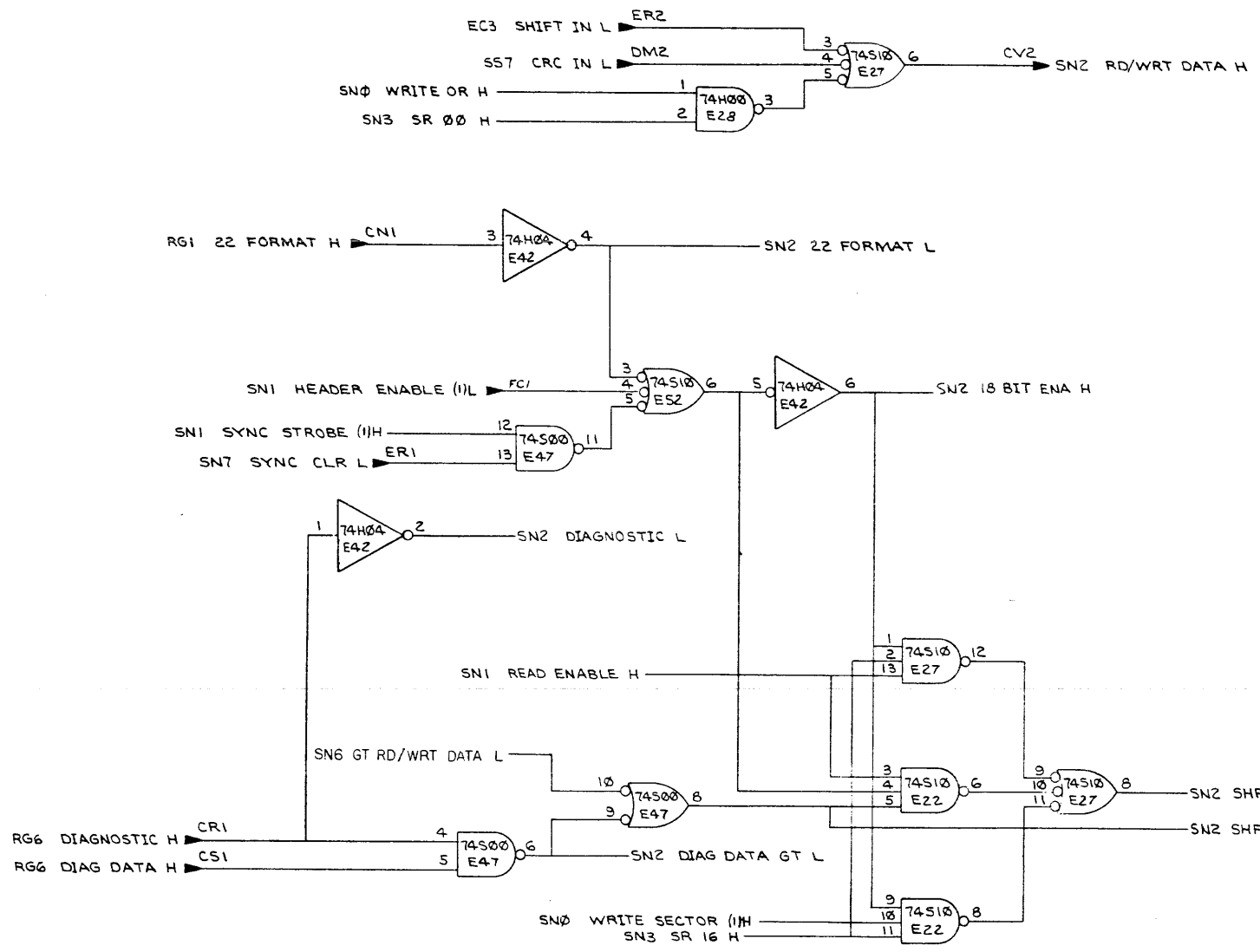
SLOT 6 RW CONTROL LOGIC		TITLE	SIZE CODE	NUMBER	REV.
SYNCHRONOUS LOGIC (SN1)		D CS	M7773-0-1	J	
SCALE	SHEET 3	OF 10	DIST.		

THIS DRAWING AND SPECIFICATIONS HEREIN ARE THE PROPERTY OF DIGITAL EQUIPMENT CORPORATION AND SHALL NOT BE REPRODUCED OR COPIED OR USED IN WHOLE OR IN PART AS THE BASIS FOR THE MANUFACTURE OR SALE OF ITEMS WITHOUT WRITTEN PERMISSION. COPYRIGHT © 1973, DIGITAL EQUIPMENT CORPORATION.

DCS M7773-0-1

D
C
B
A

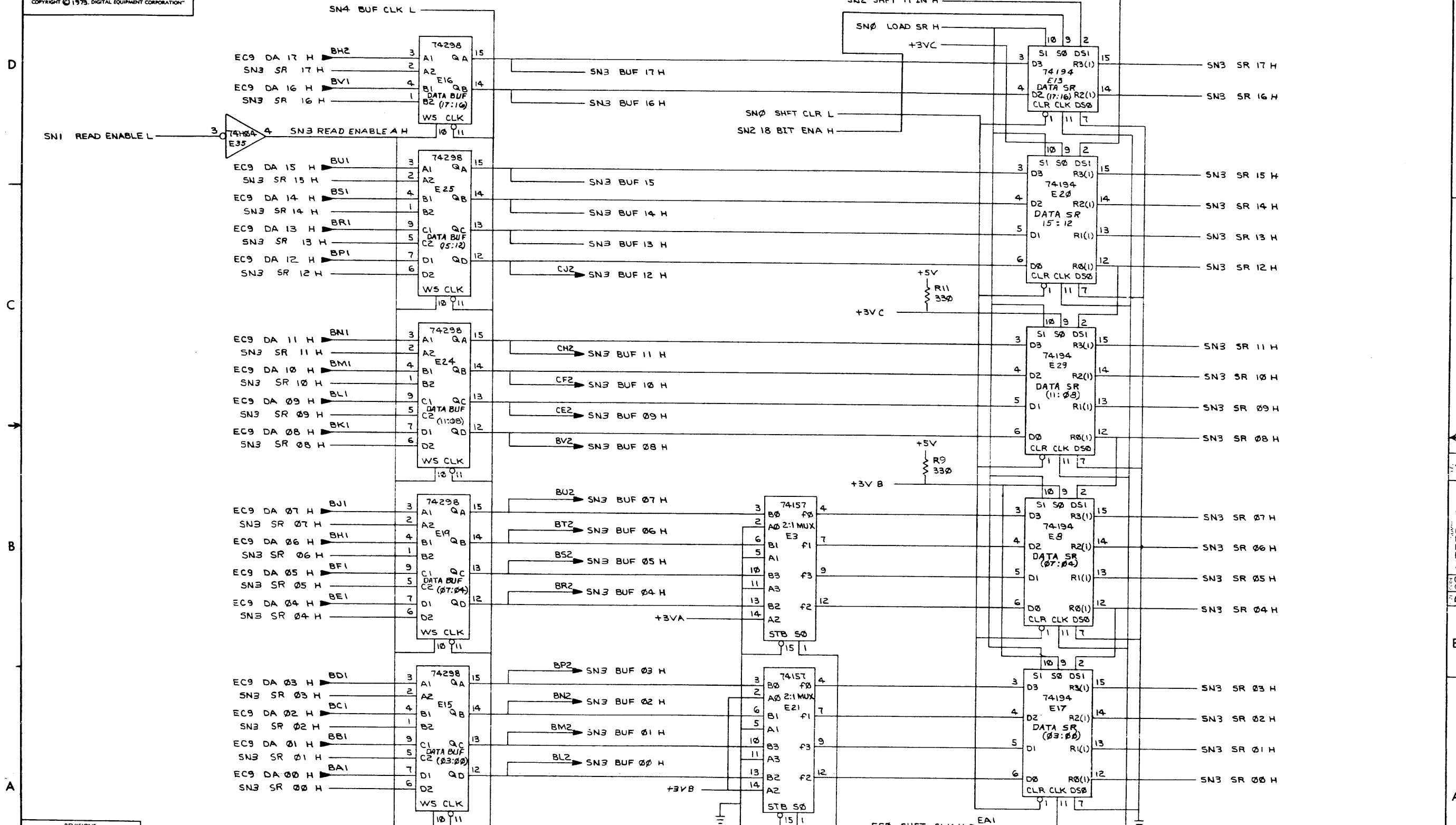
D
C
B
A
J
DCS M7773-0-1



REV SIGNS		
CHK	CHANGE NO	REV

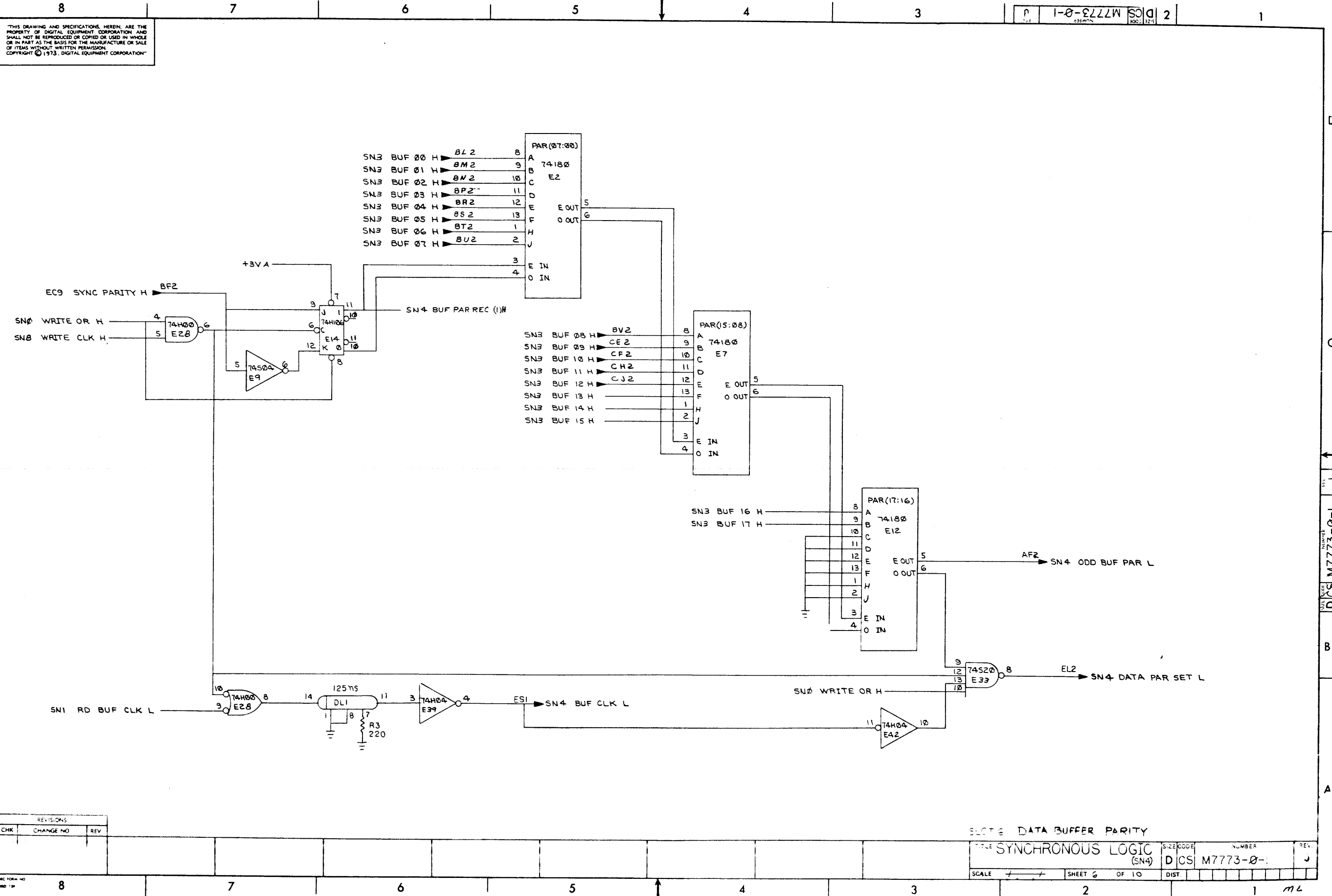
SLOT 2 R/W DATA GATING
 TITLE SYNCHRONOUS LOGIC (SN2)
 NUMBER DCS M7773-0-1
 SCALE / / SHEET 4 OF 10 DIST

"THIS DRAWING AND SPECIFICATIONS, HEREIN, ARE THE PROPERTY OF DIGITAL EQUIPMENT CORPORATION AND SHALL NOT BE REPRODUCED OR COPIED OR USED IN WHOLE OR IN PART AS THE BASIS FOR THE MANUFACTURE OR SALE OF ITEMS WITHOUT WRITTEN PERMISSION. COPYRIGHT © 1975, DIGITAL EQUIPMENT CORPORATION"

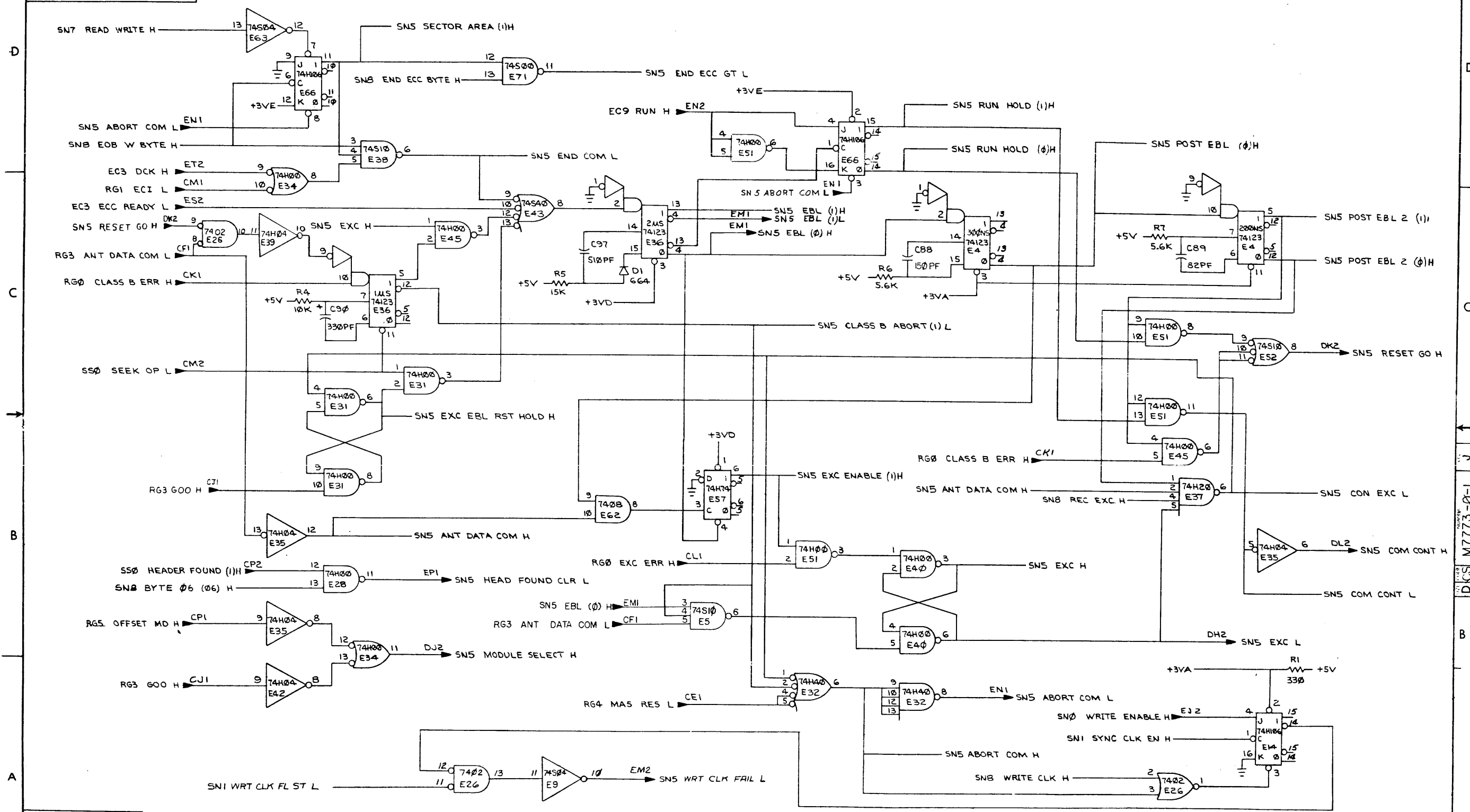


REVISIONS		
CHK	CHANGE NO.	REV.

TITLE		SYNCHRONOUS LOGIC (SN3)		SIZE	CODE	NUMBER	REV.
SCALE		SHEET 5 OF 10		D	CS	M7773-0-1	J



THIS DRAWING AND SPECIFICATIONS HEREIN ARE THE PROPERTY OF DIGITAL EQUIPMENT CORPORATION AND SHALL NOT BE REPRODUCED OR COPIED OR USED IN WHOLE OR IN PART AS THE BASIS FOR THE MANUFACTURE OR SALE OF ITEMS WITHOUT WRITTEN PERMISSION. COPYRIGHT © 1973, DIGITAL EQUIPMENT CORPORATION.



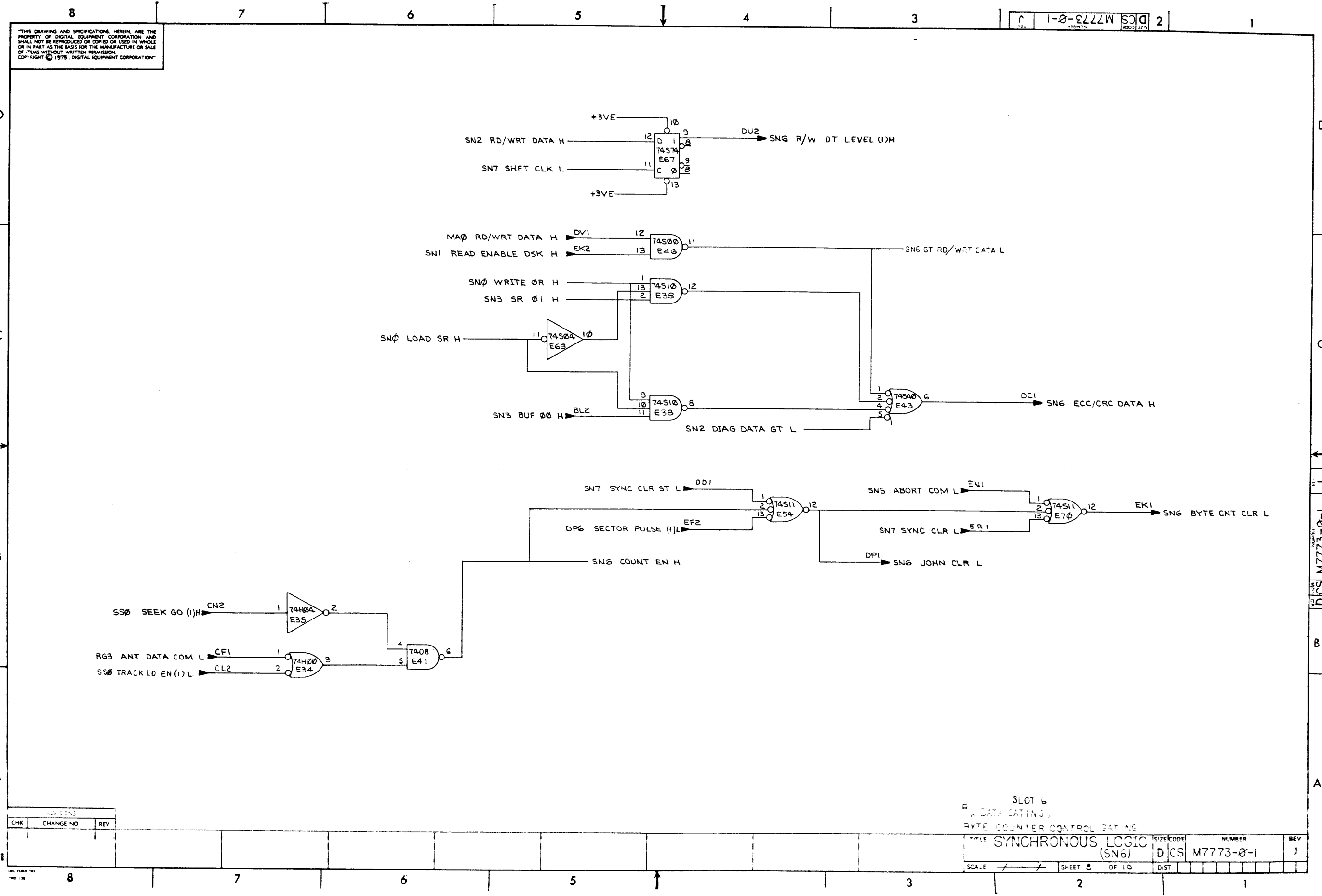
SLOT 6 SYNC COMMAND TERMINATION LOGIC

REVISIONS		
CHK	CHANGE NO	REV

TITLE	SYNCHRONOUS LOGIC (SN5)	SIZE CODE	D CS	NUMBER	M7773-0-1	REV.	J
SCALE	/ / /	SHEET	7	OF	10	DIST.	

THIS DRAWING AND SPECIFICATIONS HEREIN ARE THE PROPERTY OF DIGITAL EQUIPMENT CORPORATION AND SHALL NOT BE REPRODUCED OR COPIED OR USED IN WHOLE OR IN PART AS THE BASIS FOR THE MANUFACTURE OR SALE OF THIS WITHOUT WRITTEN PERMISSION. COPYRIGHT © 1975, DIGITAL EQUIPMENT CORPORATION

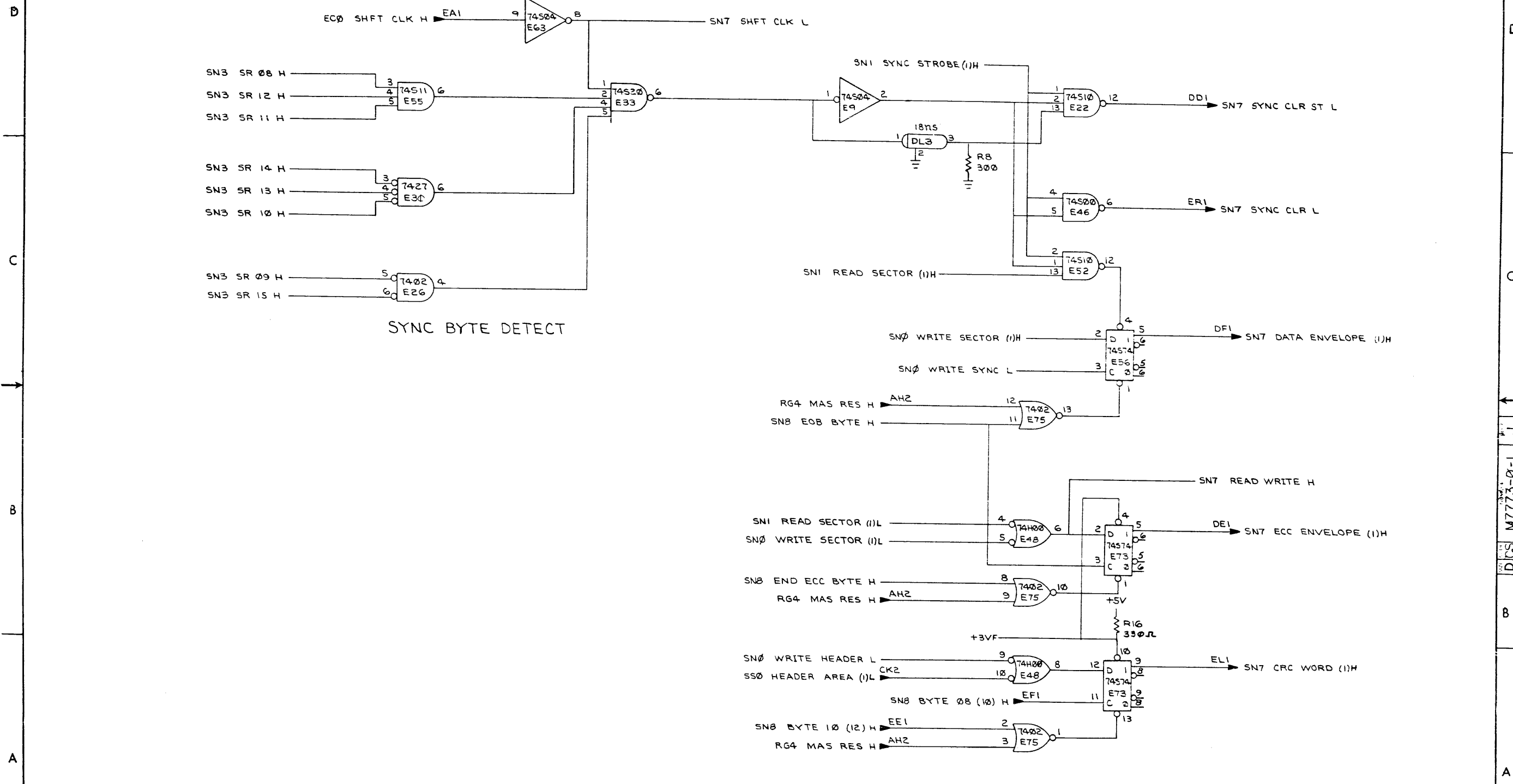
DCS M773-0-1 2



CHK	CHANGE NO	REV

SLOT 6
 DATA GATING,
 BYTE COUNTER CONTROL GATING
 TITLE SYNCHRONOUS LOGIC (SN6)
 SIZE CODE DCS
 NUMBER M773-0-1
 REV J
 SCALE / / SHEET 8 OF 10 DIST

THIS DRAWING AND SPECIFICATIONS, HEREIN, ARE THE PROPERTY OF DIGITAL EQUIPMENT CORPORATION AND SHALL NOT BE REPRODUCED OR COPIED OR USED IN WHOLE OR IN PART AS THE BASIS FOR THE MANUFACTURE OR SALE OF ITEMS WITHOUT WRITTEN PERMISSION. COPYRIGHT © 1973, DIGITAL EQUIPMENT CORPORATION.

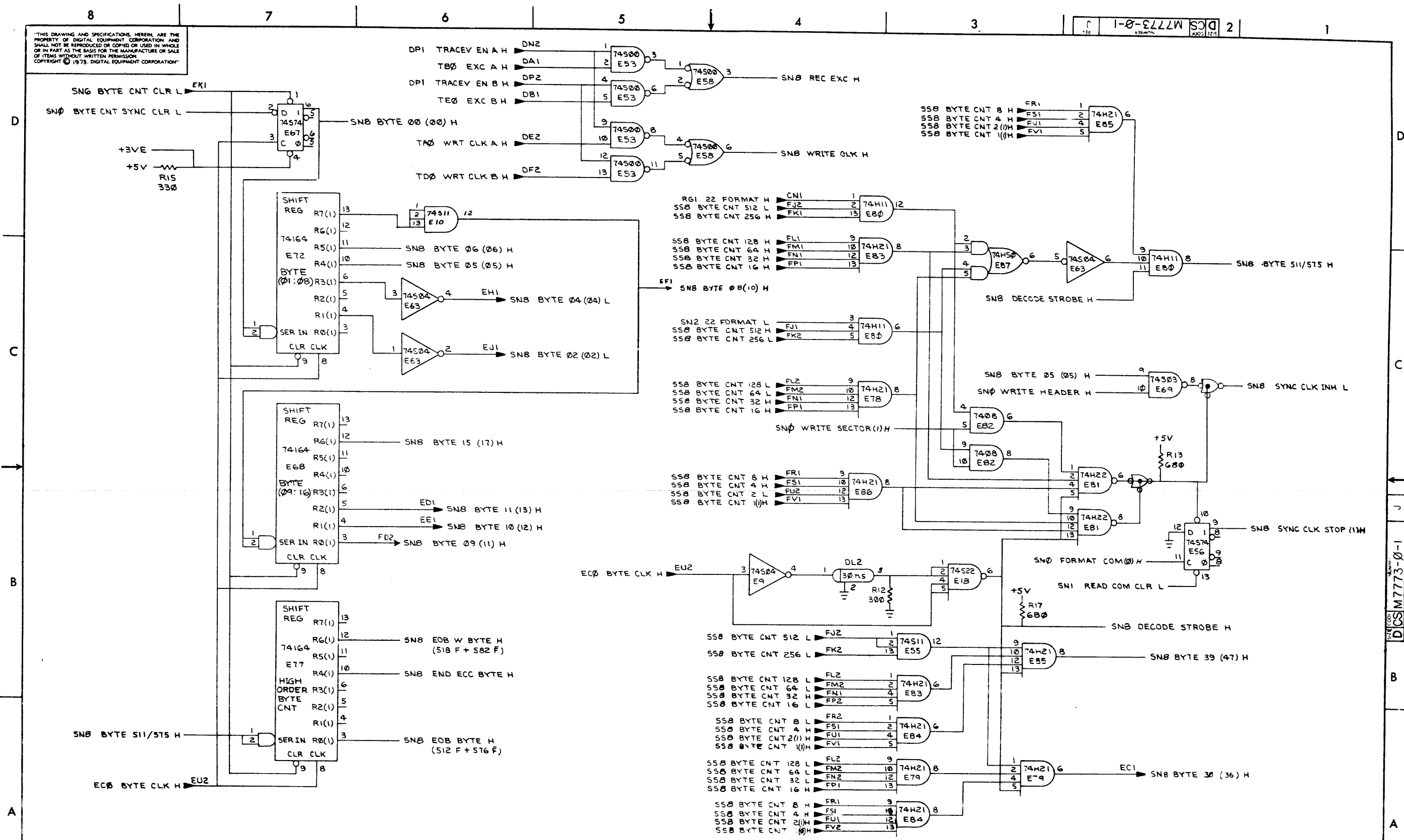


REVISIONS		
CHK	CHANGE NO	REV

SLOT 6 R/W CONTROL LOGIC		TITLE	SYNCHRONOUS LOGIC (SN7)	SIZE CODE	D CS	NUMBER	M773-0-1	REV.	J
SCALE	/ /	SHEET	9	OF	10	DIST.			

THIS DRAWING AND SPECIFICATIONS HEREIN ARE THE PROPERTY OF DIGITAL EQUIPMENT CORPORATION AND SHALL NOT BE REPRODUCED OR COPIED OR USED IN WHOLE OR IN PART AS THE BASIS FOR THE MANUFACTURE OR SALE OF ITEMS WITHOUT WRITTEN PERMISSION. COPYRIGHT © 1973, DIGITAL EQUIPMENT CORPORATION.

1-0-2222W SCD 2



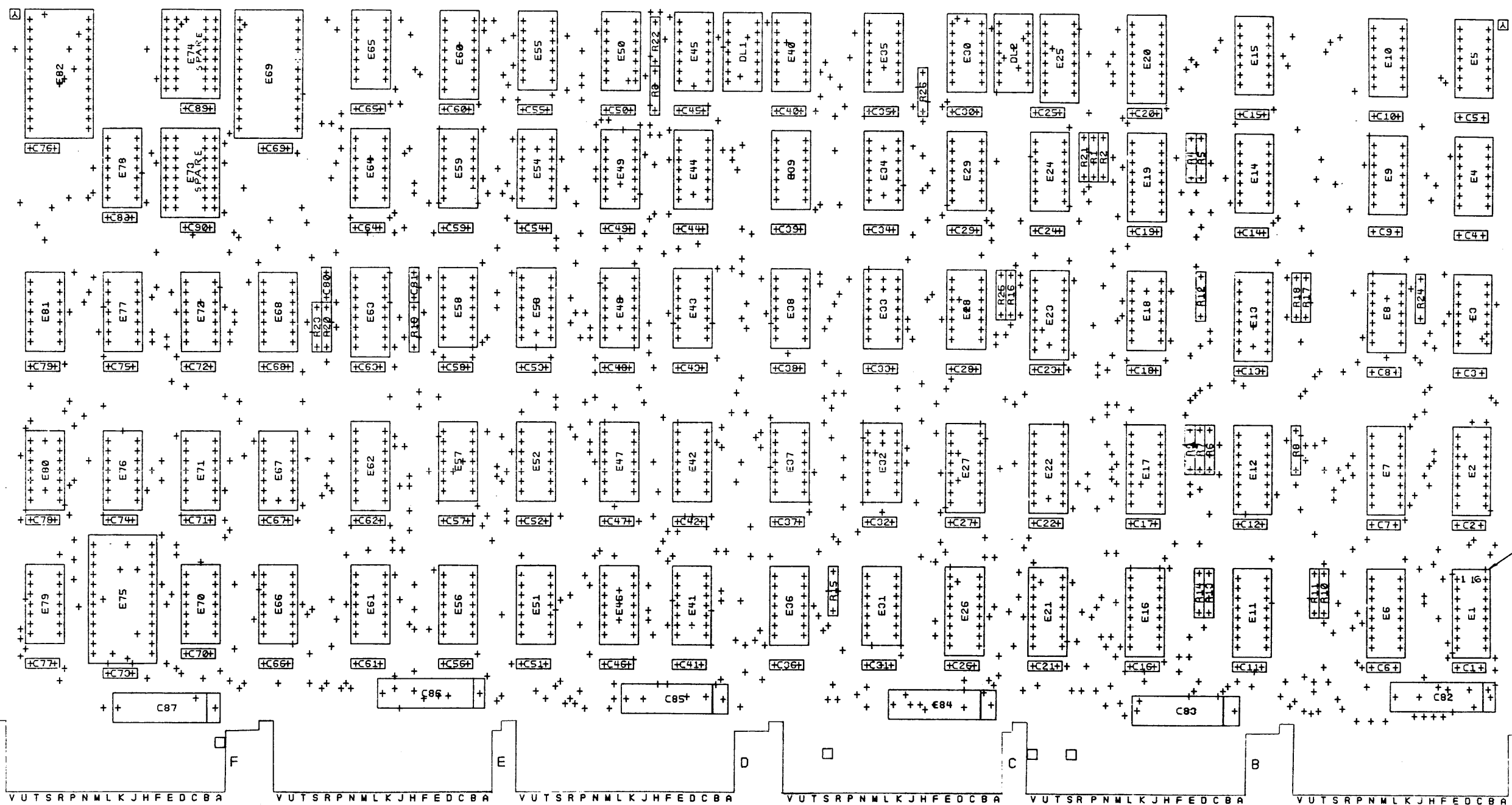
REVISIONS		
CHK	CHANGE NO	REV

SLOT 6 BYTE COUNT DECODE
 TITLE SYNCHRONOUS LOGIC (SNØ) SIZE CODE NUMBER REV
 DCS M7773-Ø-1 J
 SCALE / / SHEET 10 OF 10 DIST.

THIS DRAWING AND SPECIFICATIONS, HEREIN, AND THE PROPERTY OF DIGITAL EQUIPMENT CORPORATION AND SHALL NOT BE REPRODUCED OR COPIED OR USED IN WHOLE OR IN PART AS THE BASIS FOR THE MANUFACTURE OR SALE OF ITEMS WITHOUT WRITTEN PERMISSION.
 COPYRIGHT © 1978 DIGITAL EQUIPMENT CORPORATION

0-0-2224 109 2

COMPLEMENT SIDE VIEW

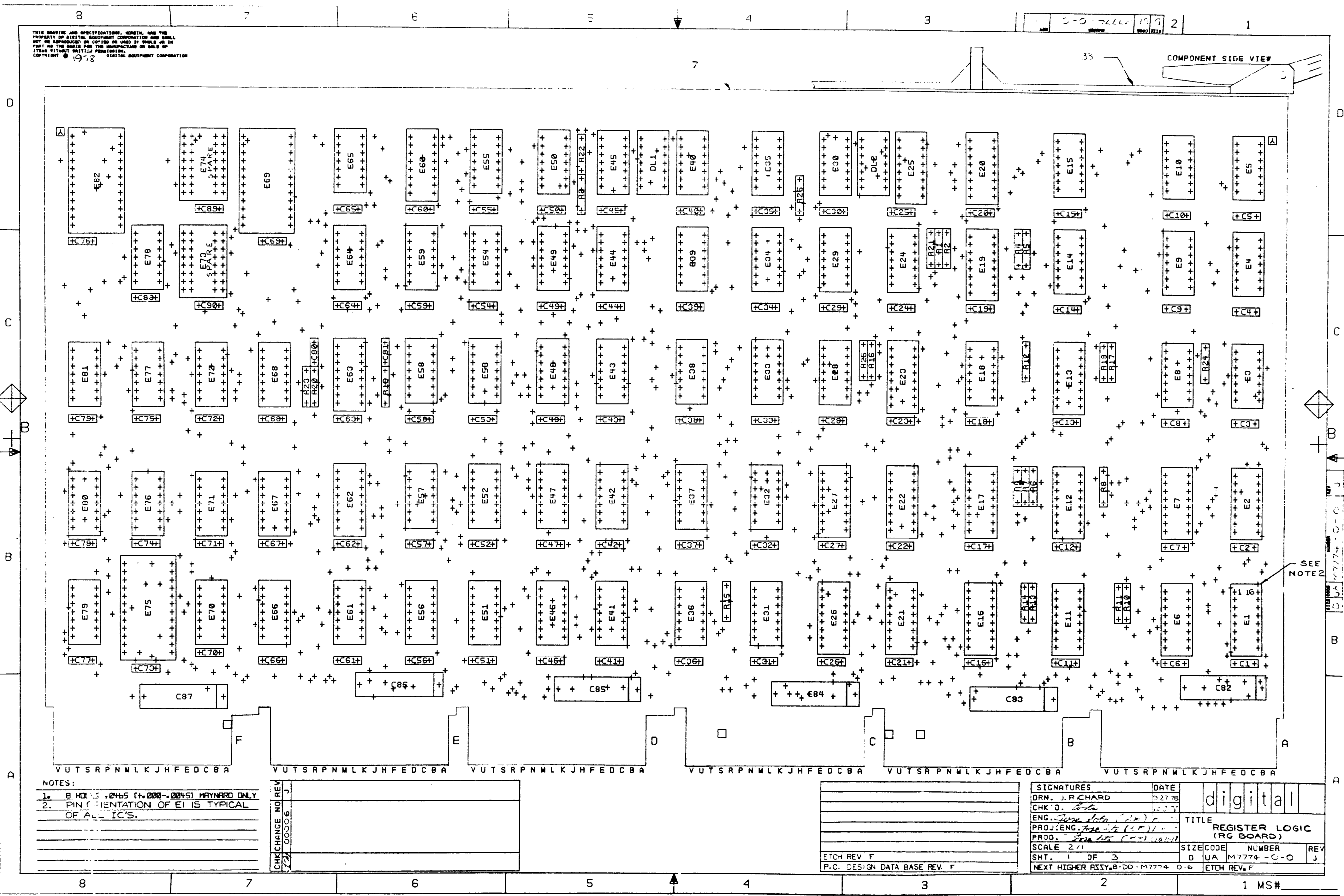


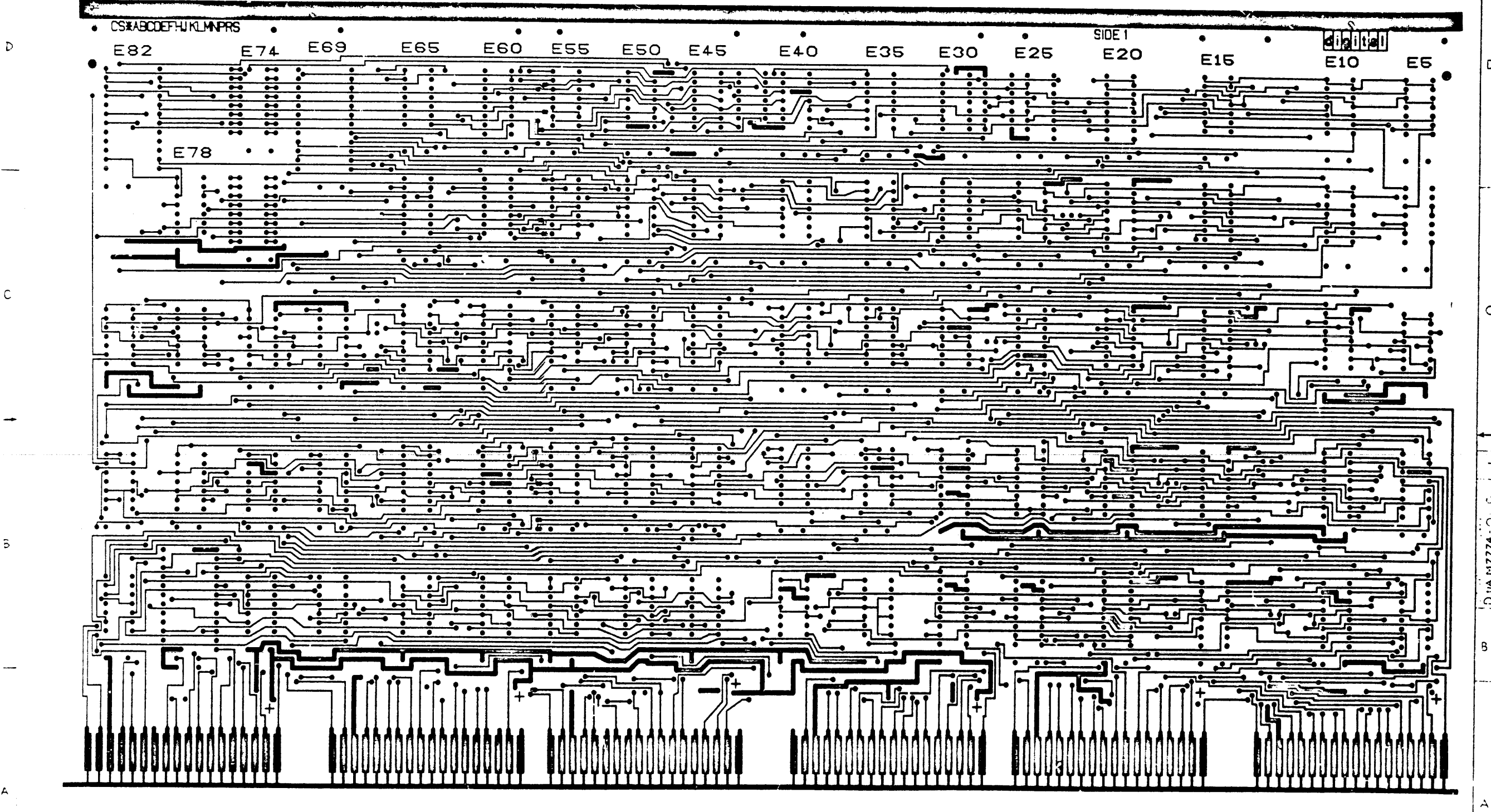
- NOTES:
1. B HOLE S. 02+5 (+020-027+5) MAYNARD ONLY
 2. PIN ORIENTATION OF E1 IS TYPICAL OF ALL IC'S.

CHK	CHANGE	NO	REV
72	00006	J	

ETCH REV	F
P.C. DESIGN DATA BASE REV.	F

SIGNATURES		DATE	digital
DRN. J.R. CHARD		02778	
CHK'D. <i>[Signature]</i>		02778	TITLE REGISTER LOGIC (RG BOARD)
ENG. <i>[Signature]</i>			
PROJ. ENG. <i>[Signature]</i>			SIZE CODE NUMBER REV D UA M7774-C-0 J
SCALE 2/1			
SHT. 1 OF 3			NEXT HIGHER ASSY. B-DD-M7774 0-6 ETCH REV. F

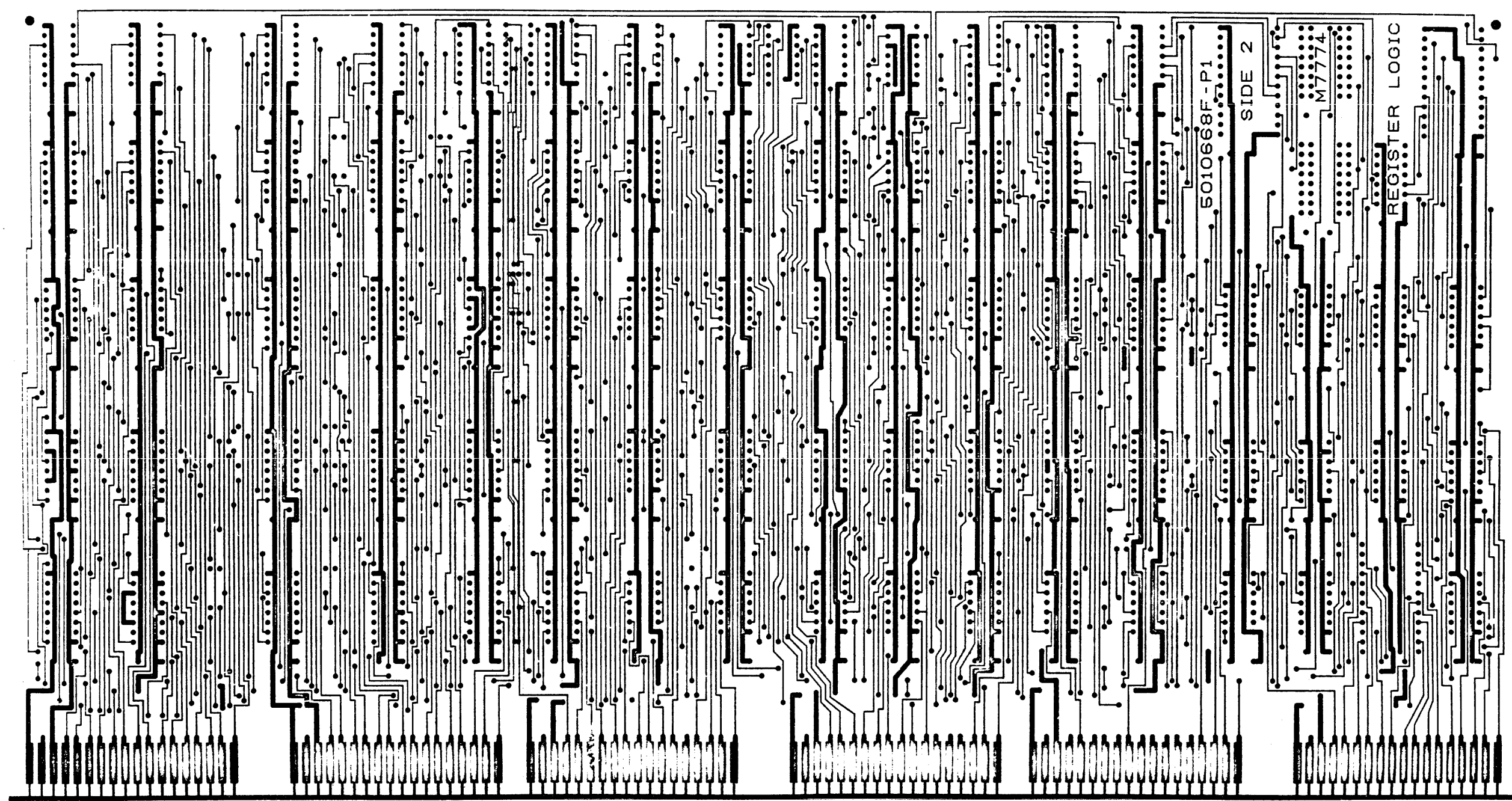




REVISIONS			REGISTER LOGIC		D UA M774 - 0 - 0		J
CHK	CHANGE NO	REV	2/1	2	2		

D UA M774 - 0 - 0 - 0 J

THESE DRAWINGS SPECIFY THE
 REQUIREMENTS FOR THE
 FABRICATION OF THE BOARD



REVISIONS		
CHK	CHANGE NO.	REV

FILE	REGISTER LOGIC	SIZE	DUA	NUMBER	M7774 - O - O	REV	J
SCALE	2/1	SHEET	3	OF	3	DATE	

7 6 5 4 3 2 1

DUA M7774 - O - O

501068F - P1

SIDE 2

M7774

REGISTER LOGIC

DUA M7774 - O - O

J

7 6 5 4 3 2 1

LINE	ITEM	DOCUMENT NO.	PART NO.	DESCRIPTION	QTY	REFERENCE DESIGNATORS
1	1	B-DD-M7774-0-0		DRAWING DIRECTORY		REF
2	2	K-CO-M7774-0-4		X-Y COORDINATE HOLE LOCATION		REF
3	3	B-MH-M7774-0-6		MODULE ECO HISTORY		REF
4	4	D-CS-M7774-0-1		REGISTER LOGIC (RG BOARD)		REF
5	5	D-UA-M7774-0-0		REGISTER LOGIC		REF
6	6	D-MD-5010668-0-0		DRILL & ETCH DRAWING		REF
7	7		5010668-00	ETCH BOARD FOR M7774		
8	8		1910655-00	74157 MUX 2 TO 1 QUAD	1	E21,E26
9	9		1910652-00	74174 FF-D HEX	2	E7,E25
10	10		1910651-00	DEC 74175 FF-D QUAD	3	E1,E20,E62
11	11		1905547-00	7474 FF-D DUAL,EDGE TRIGGER,15MHZ	17	E3,E5,E8,E9,E10,E14,E15,E18, E24,E28,E32,E36,E40,E44,E45, E50,E71
12	12		1911315-00	8234 MUX 1 OF 4	11	E2,E6,E11,E12,E13,E16,E17,E19, E22,E23,E27
13	13		1909713-00	DEC 8815 NOR GATE-DUAL 4IN	14	3 E67,E68,E30
14	14		1909686-00	7404 INVERTER GATE-HEX 1IN	5	E39,E42,E52,E68,E76
15	15		1909930-00	7405 INVERTER GATE-HEX 1IN,OPEN COL	1	E31
16	16		1909004-00	DEC 7402 NOR GATE-QUAD 2IN	5	E38,E54,E56,E58,E59
17	17		1905578-00	7430 NAND GATE-SINGLE BINFUT	4	E1,E65,E72,E78
18	18		1910155-00	DEC 7408 AND GATE,POS.QUAD 2IN	14	4 E48,E61,E79,E81
19	19		1905577-00	7420 NAND GATE-DUAL 4INFUT	2	E29,E77
20	20		1910091-00	DEC 7437 NAND GATE-QUAD 2IN,BUFFER	14	1 E35
21	21		1905575-00	7400 NAND GATE-QUAD 2IN	3	E46,E49,E53
22	22		1910046-00	7442 DECODER-1 OF 10,BCD SELECTED	1	E60
23	23		1910878-00	7427 NOR GATE-TRIPLE 3IN	2	E64,E80
24	24		1910436-00	DEC 74123 ONE SHOT-DUAL,RETRIGGERABLE	1	E63
25	25		1911521-00	7432 OR GATE-QUAD 2IN, POSITIVE	4	E33,E70,E43,E55
26	26		1905587-00	DEC 7473 FF-JK DUAL,MASTER SLAVE,10MHZ	1	E57
27	27		1300365-00	1 R 1/4W 5% CC 113-00	1	R15

REVISION HISTORY / VARIATIONS FOR THIS ASSY.

CHK	ECO NO	REV	00	FIRST USED ON: RP04	DIGITAL EQUIPMENT CORPORATION MAYNARD, MASSACHUSETTS
C.L	00006	J		MADE BY: M. POIRIER	DATE: 12-SEP-78
				CHECKED: C. EDDY	DATE: 12-SEP-78
				DESIGN. ENG.: D.L.	DATE: 12-SEP-78
				PROD.: A. KARLSBERG	DATE: 12-SEP-78
				RESP. ENG.: D.W. SERGEANT	DATE: 12-SEP-78
					ASSY. NO.: D-UA-M7774-0-0

THIS DRAWING AND SPECIFICATIONS HEREIN, ARE THE PROPERTY OF DIGITAL EQUIPMENT CORPORATION AND SHALL NOT BE REPRODUCED OR COPIED OR USED IN WHOLE OR IN PART AS THE BASIS FOR THE MANUFACTURE OR SALE OF ITEMS WITHOUT WRITTEN PERMISSION.
COPYRIGHT 1978, DIGITAL EQUIPMENT CORPORATION

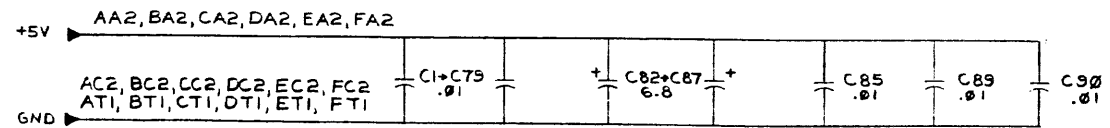
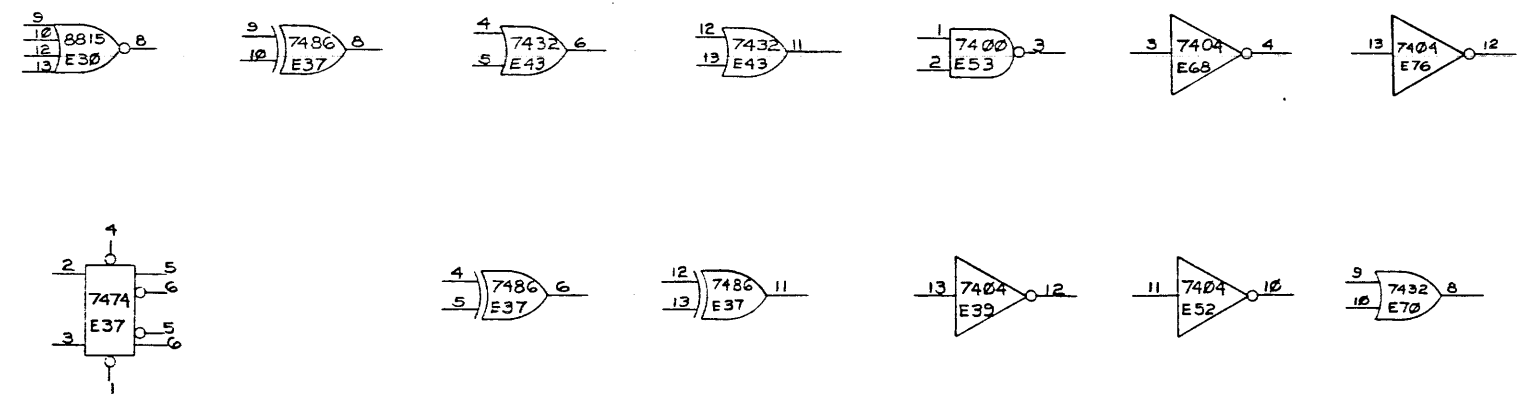
LINE ITEM	DOCUMENT NO.	PART NO.	DESCRIPTION	QTY	REFERENCE DESIGNATORS
28	28	1300447-00	4.7 K 1/4W 5% CC (13-00	1	R19
29	29	1909267-00	DEC 74H11 AND GATE-TRIPLE 3INPUT	1	E41
30	30	1910539-00	74S20 NAND GATE-DUAL 4INPUT	1	E51
31	31	1909701-00	74154 1 OF 16,BINARY SELECT	3	E69,E82,E75
32	32	1905576-00	7410 NAND GATE-TRIPLE 3IN	2	E34,E47
33	33	1210711-02	HANDLE,HEX MODULE,10-1/2	1	
34	34	9000024-01	EYELET, ROLLED FLANGE, .121 OD X .196 LG	12	
35	35	1300295-00	330 1/4W 5% CC (13-00	21	R4-R14,R16-R18,R21-R25,R1,R2
36	36	1303179-00	8.2 K 1/4W 5% CC (13-00	1	R20
37	37	1611300-00	DELAY= 10-125NS,6TAPS FAST RISE TIME,IN D	2	DL1,DL2
38	38	1005306-00	6.8MFD 35V 10% S.TANT (10-00	6	C82-C87
39	39	1001610-00	.01 MFD 50V -20+8) Z5U DISC 8000PF MIN	82	C1-C79,C88-C90
40	40	1000006-00	10.0 MMF 100V 5%200PPM DM15S (10-00	1	C80
41	41	1002427-00	15.0 MMF 100V 5%200PPM DM15S (10-00	1	C81
42	42	1910011-00	DEC 7486 X-OR GATE-QUAD 2INPUT	1	F37
43	43	1300271-00	220 1/4W 5% CC (13-00	2	R3,R26

DIGITAL EQUIPMENT CORPORATION MAYNARD, MASSACHUSETTS	TITLE REGISTER LOGIC	PARTS LIST	SIZE K	CODE FL	DOCUMENT NUMBER M7774-0-DBP	REV IJ
---	-------------------------	------------	-----------	------------	--------------------------------	-----------

THIS DRAWING AND SPECIFICATIONS HEREIN ARE THE PROPERTY OF DIGITAL EQUIPMENT CORPORATION AND SHALL NOT BE REPRODUCED OR COPIED OR USED IN WHOLE OR IN PART AS THE BASIS FOR THE MANUFACTURE OR SALE OF ITEMS WITHOUT WRITTEN PERMISSION.
 COPYRIGHT © 1978 DIGITAL EQUIPMENT CORPORATION

NOTES:

DCS M774-01 2



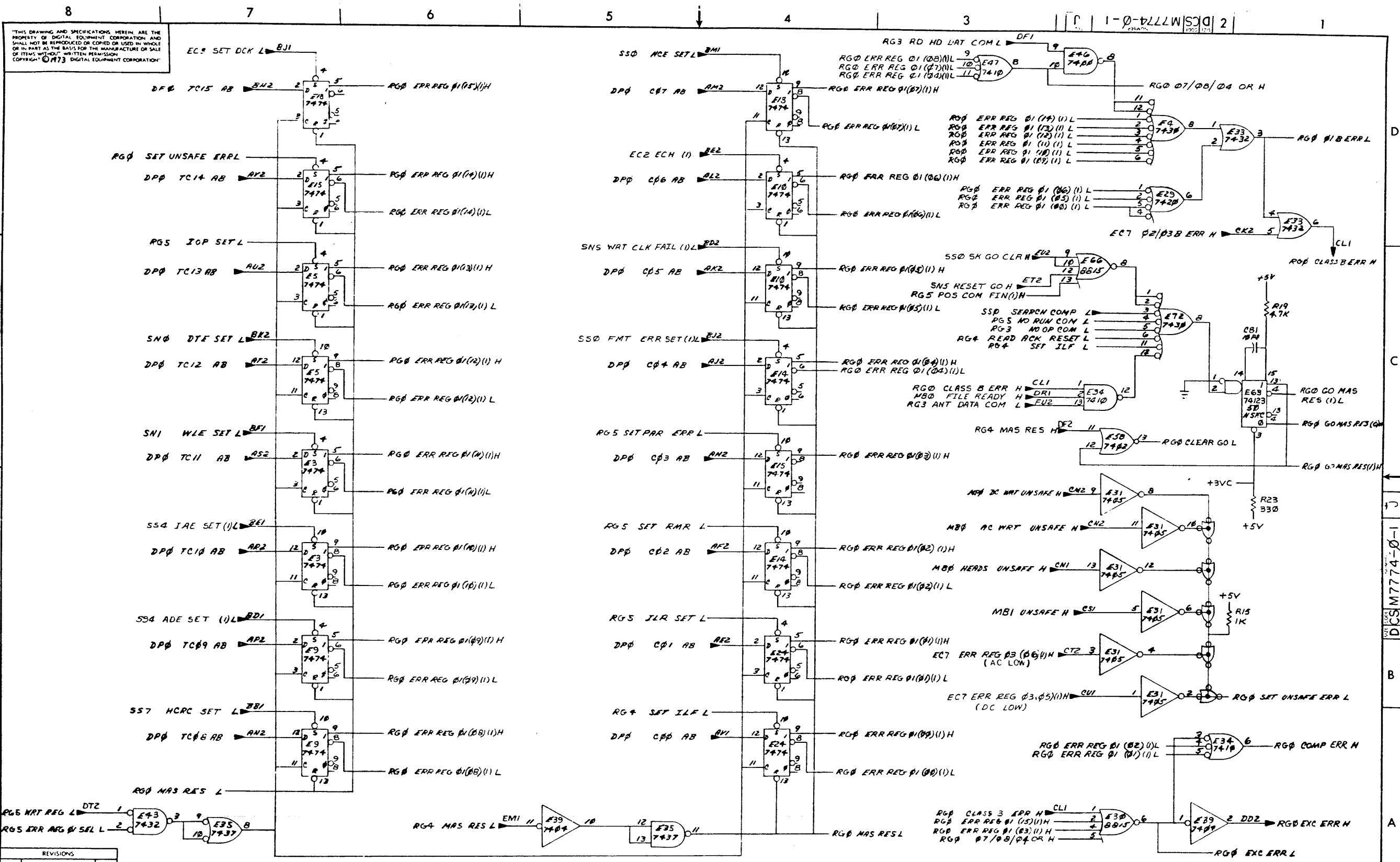
IC TYPE	QTY	REF. DESIGNATION
IC 74154	12	24
IC 7473	11	4
IC 74123	8	16
IC 7442	8	16
IC 8234	8	16
IC 74175	8	16
IC 74174	8	16
IC 74157	8	16
IC TYPE	GND	+5V

GND AND 5V ARE USUALLY PIN 7 AND 14 RESPECTIVELY EXCEPTIONS ARE STATED ABOVE

IC PIN LOCATIONS

FIRST USED ON OPTION MODEL		QTY	REF. DESIGNATION	DESCRIPTION	PART NO.	ITEM NO.
RP04						
PARTS LIST						
ETCH BOARD REV. F						
CHK'D.	DATE	digital				
ENG.	DATE	REGISTER LOGIC				
FRG. AND	DATE	(RG BOARD)				
REV. CHG. NO.	DATE	NEXT HIGHER ASSY				
DEC NO.	EIA HQ.	DEC NO.	EIA NO.	SCALE	SIZE CODE	NUMBER
				SHEET 1 OF 8	DCS M774 01	J
SEMICONDUCTOR CONVERSION CHART						

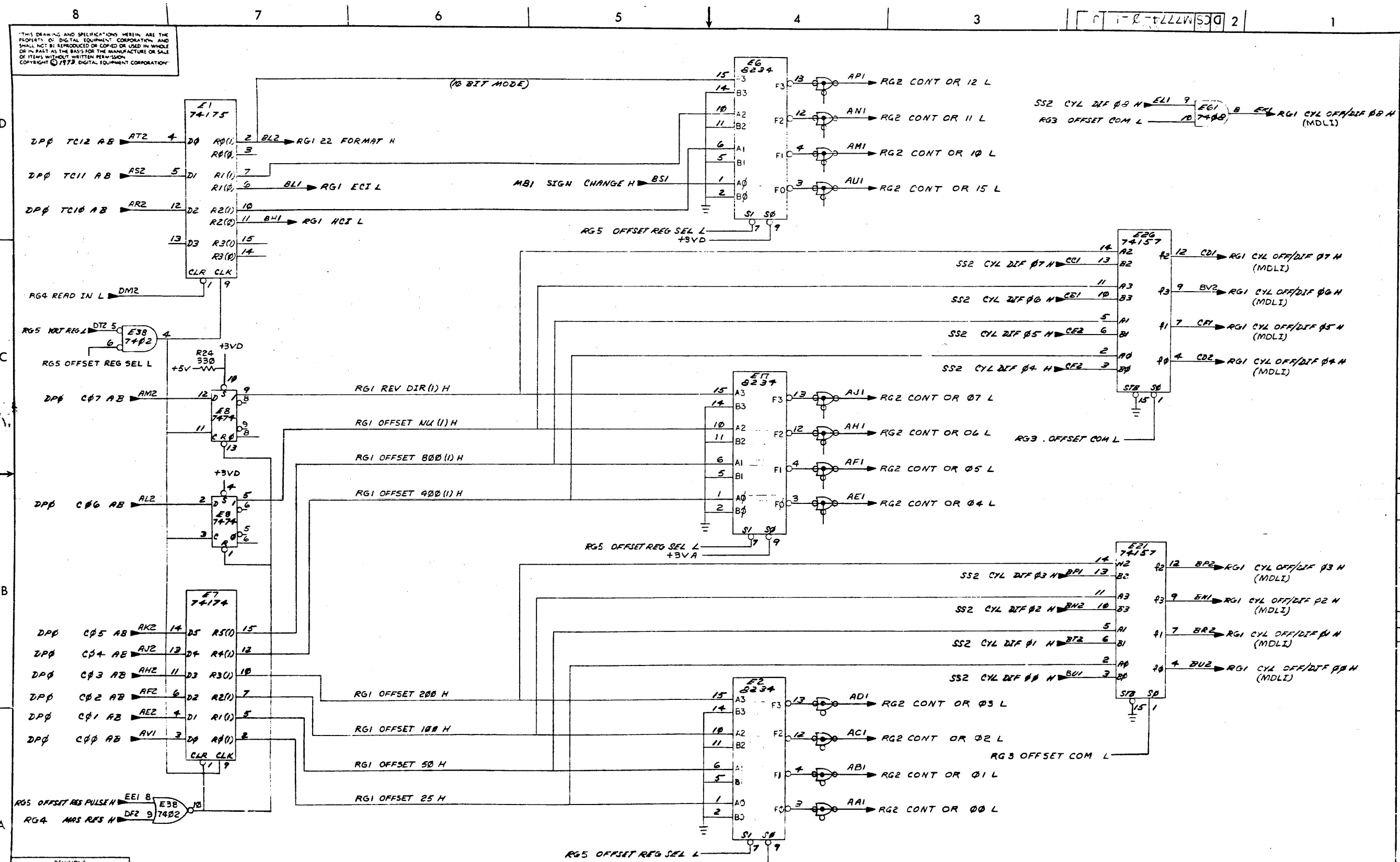
REV. J
 DCS M774-01



THIS DRAWING AND SPECIFICATIONS HEREIN ARE THE PROPERTY OF DIGITAL EQUIPMENT CORPORATION AND SHALL NOT BE REPRODUCED OR COPIED OR USED IN WHOLE OR IN PART AS THE BASIS FOR THE MANUFACTURE OR SALE OF ITEMS WITHOUT WRITTEN PERMISSION. COPYRIGHT © 1973 DIGITAL EQUIPMENT CORPORATION.

REVISIONS		
CHK	CHANGE NO	REV

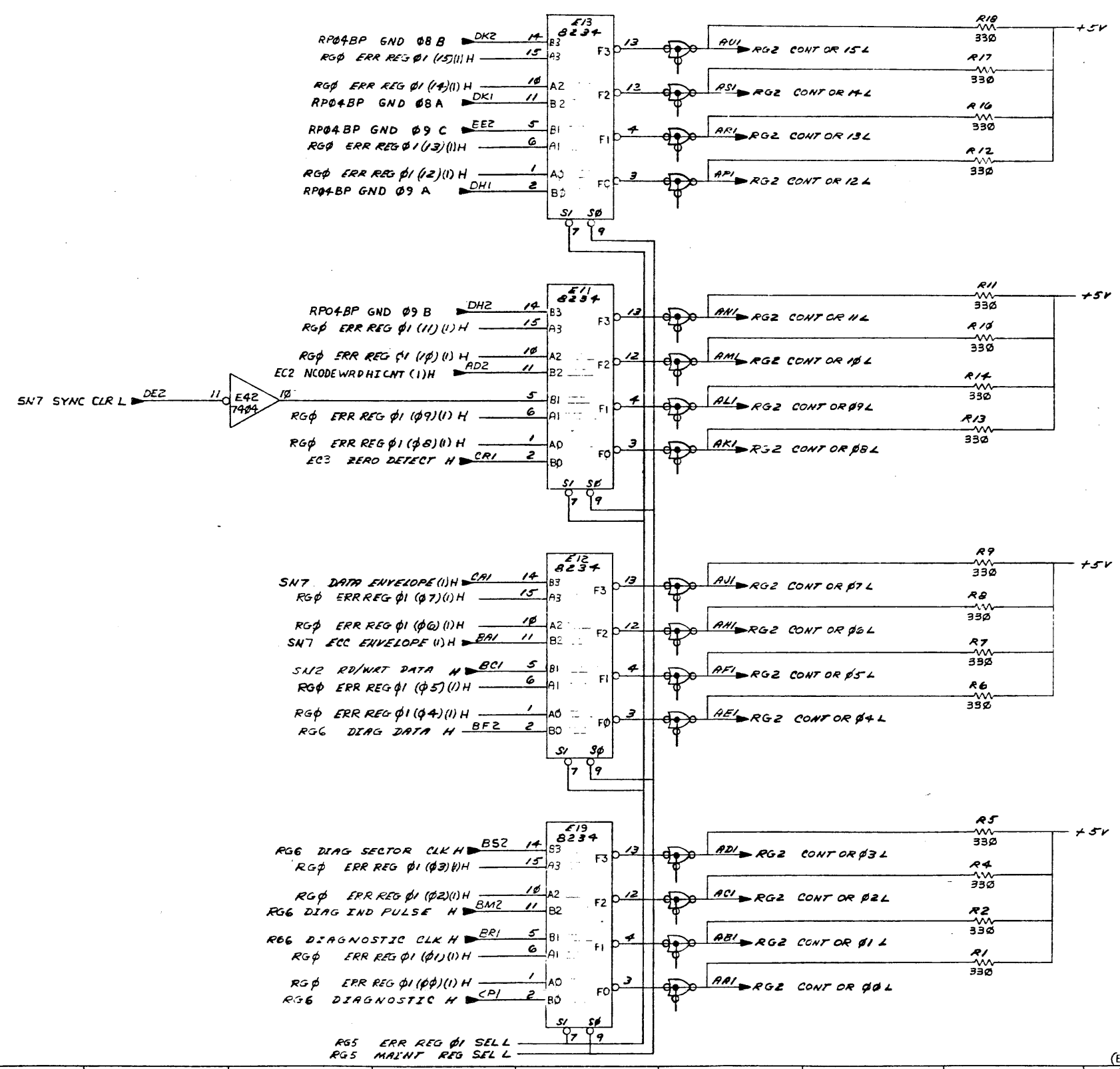
TITLE		REGISTER LOGIC	SIZE CODE	NUMBER	REV.
		(RG0)	D CS	M7774-0-1	J
SCALE	SHEET	OF	DIST		
1:1	2	8			



REVISIONS		
CHK	CHANGE NO	REV

THIS DRAWING AND SPECIFICATIONS HEREIN ARE THE PROPERTY OF DIGITAL EQUIPMENT CORPORATION, AND SHALL NOT BE REPRODUCED OR COPIED OR USED IN WHOLE OR IN PART AS THE BASIS FOR THE MANUFACTURE OR SALE OF ITEMS WITHOUT WRITTEN PERMISSION. COPYRIGHT © 1973 DIGITAL EQUIPMENT CORPORATION.

DCS M7774-0-1



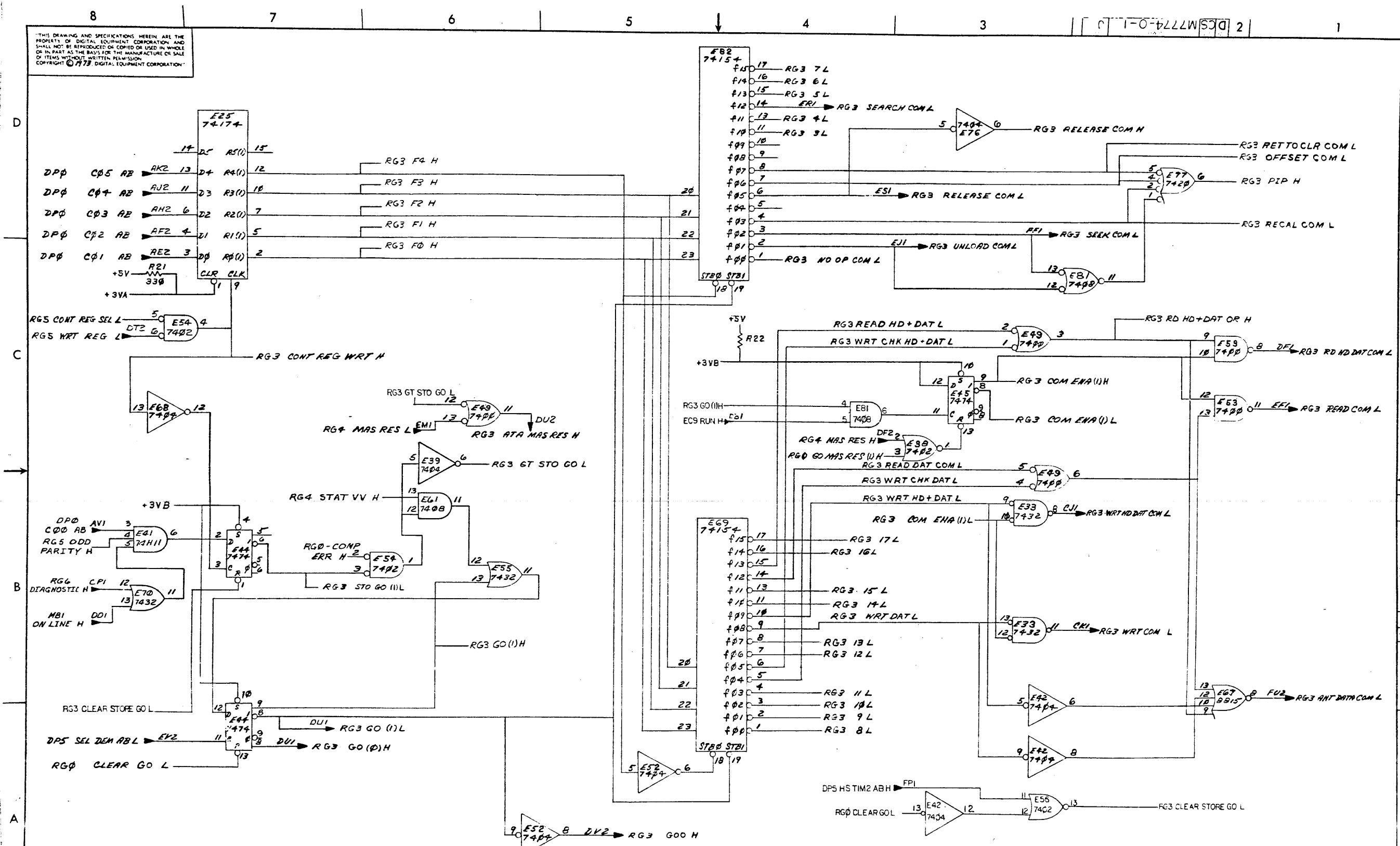
REVISIONS		
CHK	CHANGE NO	REV

(ERR AND MAINT REG MUX)
 TITLE REGISTER LOGIC (RG2) DCS M7774-0-1
 SCALE / / SHEET 4 OF 8 DIST

DCS M7774-0-1 J

THIS DRAWING AND SPECIFICATIONS HEREIN ARE THE PROPERTY OF DIGITAL EQUIPMENT CORPORATION AND SHALL NOT BE REPRODUCED OR COPIED OR USED IN WHOLE OR IN PART AS THE BASIS FOR THE MANUFACTURE OR SALE OF ITEMS WITHOUT WRITTEN PERMISSION. COPYRIGHT © 1973 DIGITAL EQUIPMENT CORPORATION.

DCS M7774-0-1 2

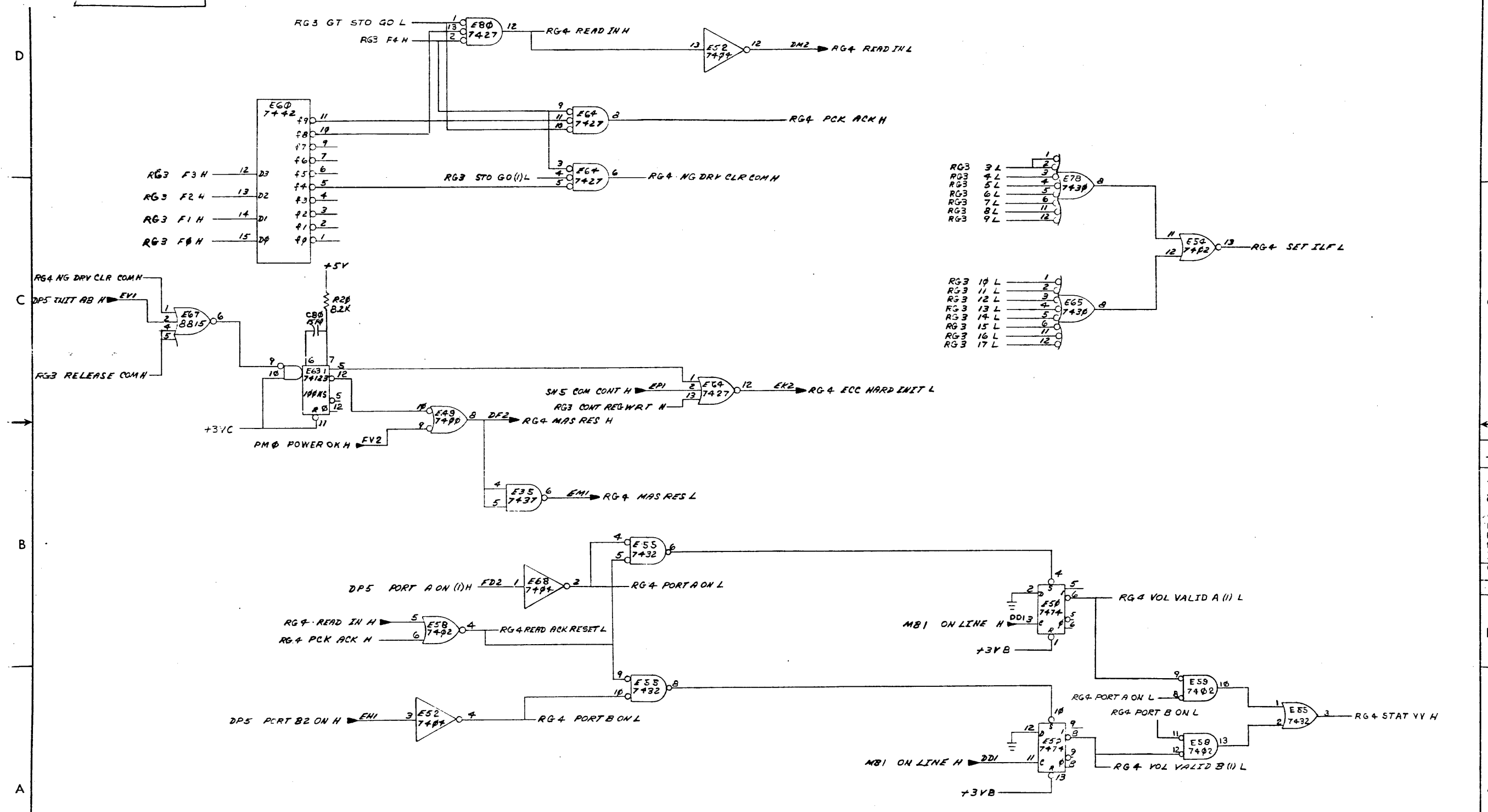


REV	CHANGE NO	REV

TITLE	REGISTER LOGIC	SIZE CODE	NUMBER	REV
SCALE		SHEET	5 OF 8	DIST

DCS M7774-0-1 J

ALL SPECIFICATIONS HEREIN ARE THE PROPERTY OF DIGITAL EQUIPMENT CORPORATION AND ARE NOT TO BE REPRODUCED OR COPIED OR USED IN WHOLE OR IN PART FOR THE MANUFACTURE OR SALE OF ANY EQUIPMENT WITHOUT THE WRITTEN PERMISSION OF DIGITAL EQUIPMENT CORPORATION.

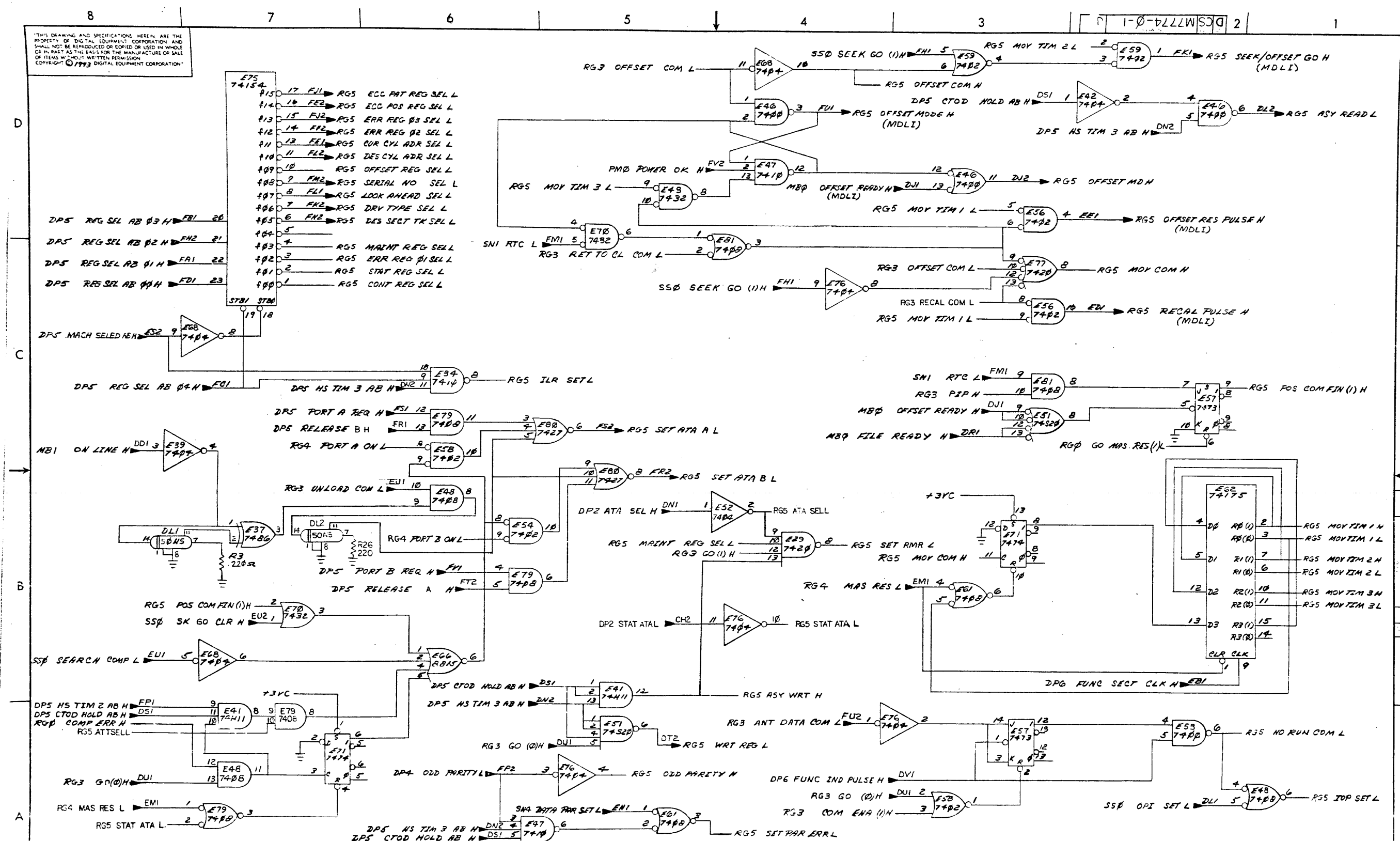


REVISIONS		
CHK	CHANGE NO	REV

TITLE		SIZE CODE	NUMBER	REV.
REGISTER LOGIC (RG4)		DCS	M7774-0-1	J
SCALE	SHEET	OF	DIST	
+	6	8		

DCS M7774-0-1 J

THIS DRAWING AND SPECIFICATIONS HEREIN ARE THE PROPERTY OF DIGITAL EQUIPMENT CORPORATION AND SHALL NOT BE REPRODUCED OR COPIED OR USED IN WHOLE OR IN PART AS THE BASIS FOR THE MANUFACTURE OR SALE OF ITEMS WITHOUT WRITTEN PERMISSION. COPYRIGHT © 1973 DIGITAL EQUIPMENT CORPORATION



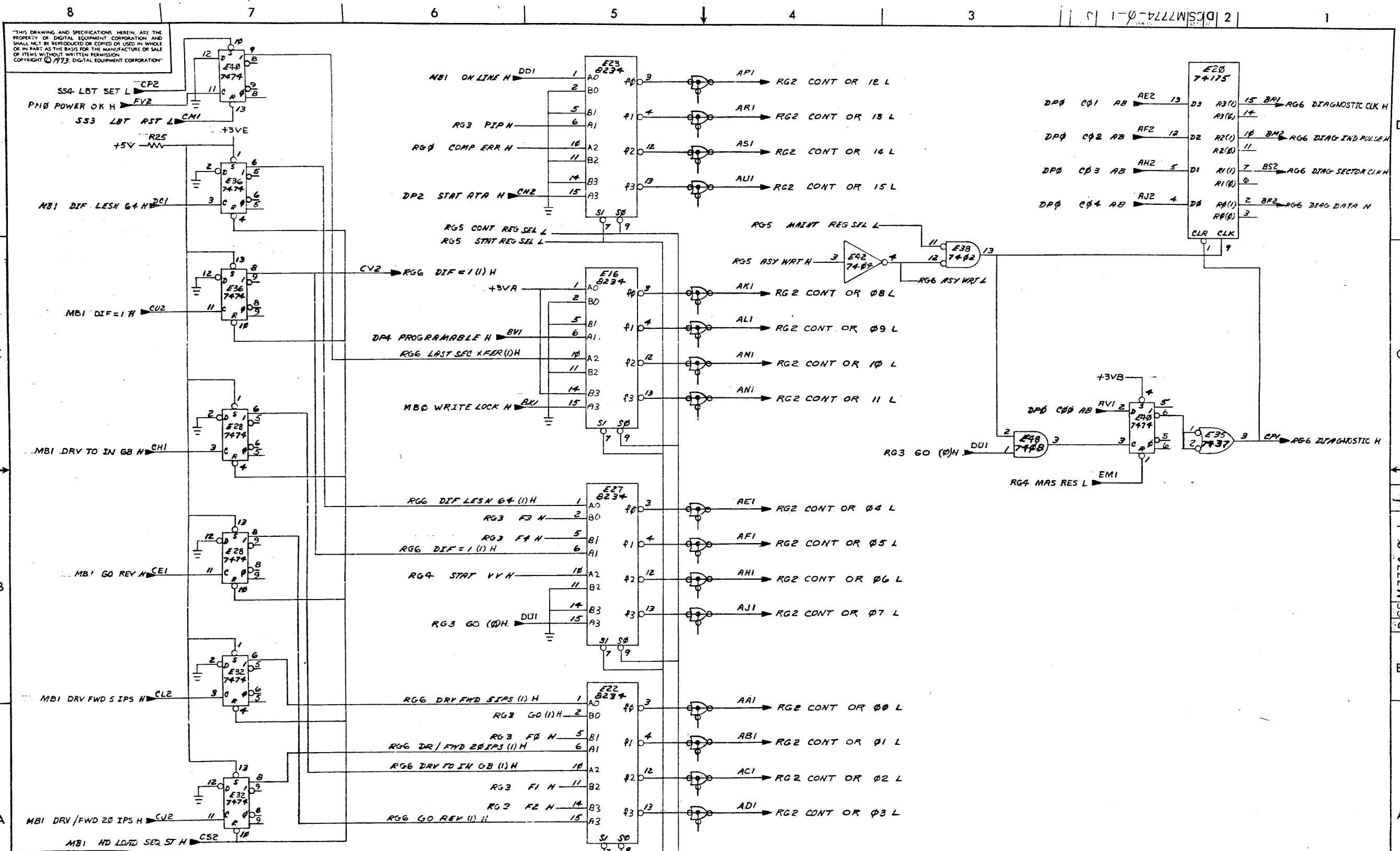
REVISIONS		
CHG	CHANGE NO	REV

(RG5 SELECT & MOV COMMAND)

TITLE REGISTER LOGIC (RG5)

SCALE + + + SHEET 7 OF 8 DIST

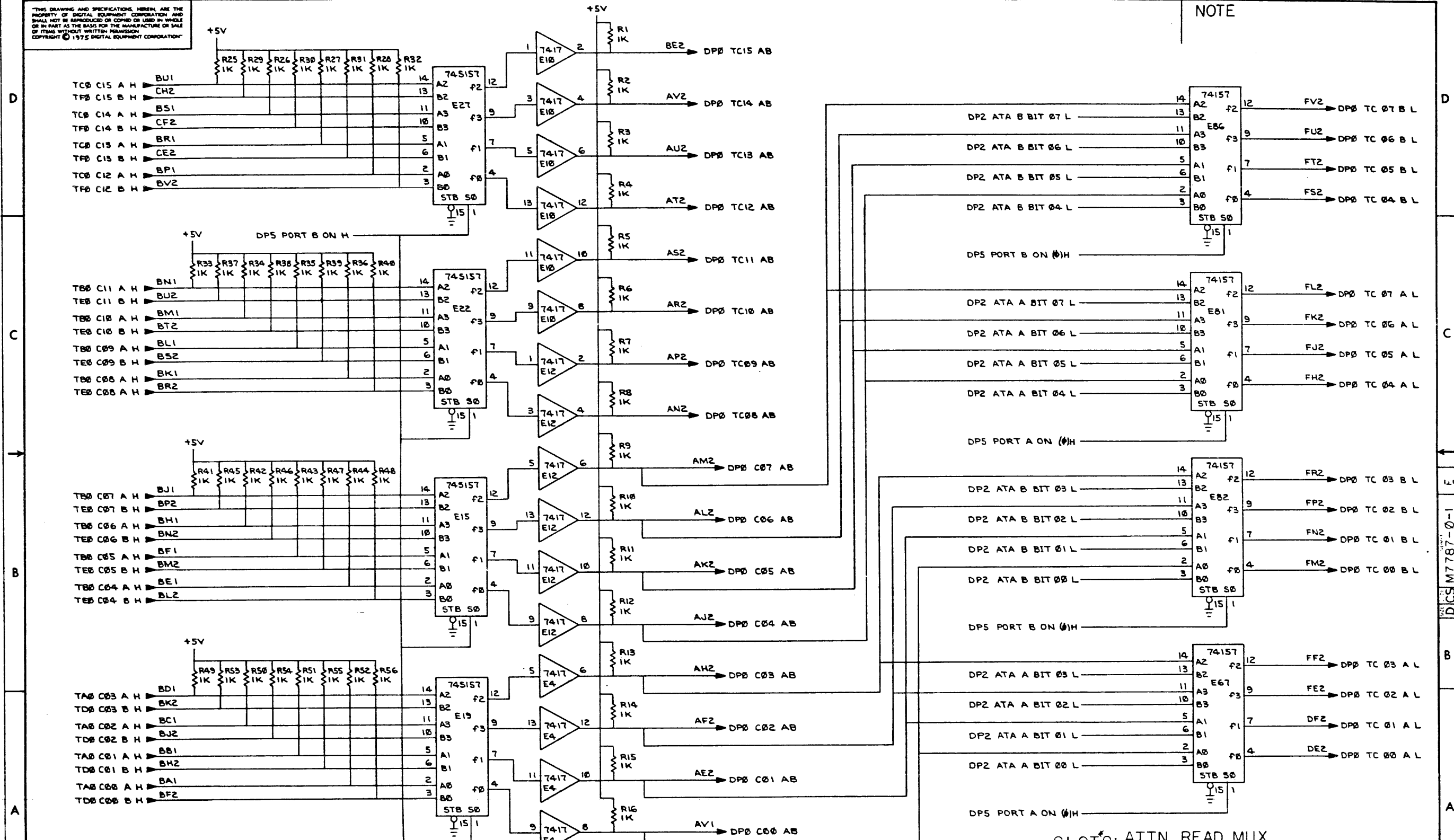
DCS M7774 0-1 J



REVISIONS			TITLE		SIZE CODE		NUMBER		REV.
CHK	CHANGE NO	REV.	REGISTER LOGIC (RG6)		DCS M7774-0-1		J1		
			SCALE	SHEET 8	OF 8	DIST			

THIS DRAWING AND SPECIFICATIONS HEREIN ARE THE PROPERTY OF DIGITAL EQUIPMENT CORPORATION AND SHALL NOT BE REPRODUCED OR COPIED OR USED IN WHOLE OR IN PART AS THE BASIS FOR THE MANUFACTURE OR SALE OF ITEMS WITHOUT WRITTEN PERMISSION. COPYRIGHT © 1975 DIGITAL EQUIPMENT CORPORATION.

NOTE

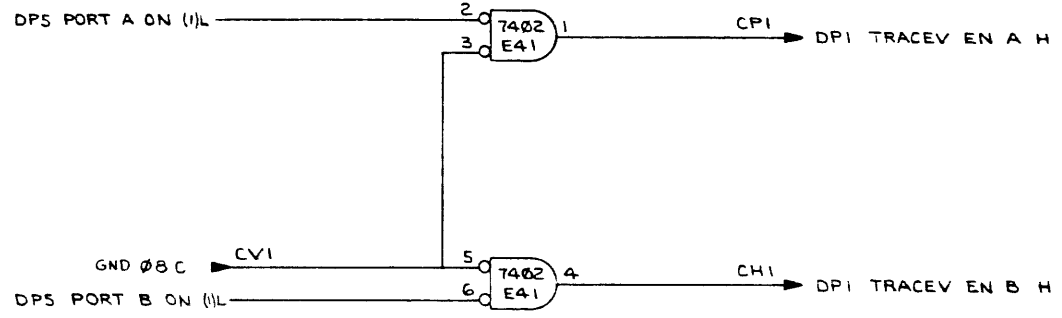
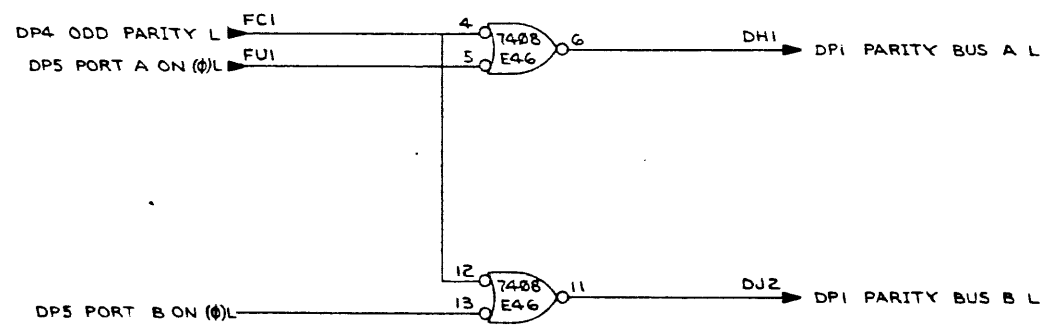
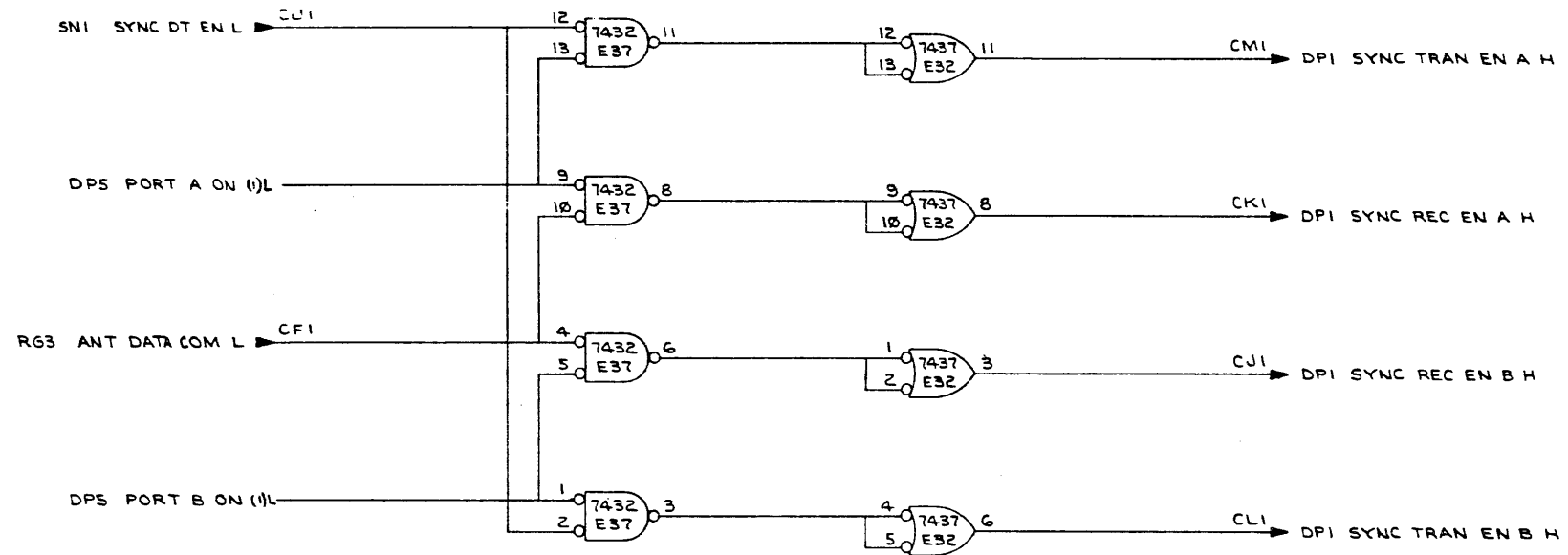


SLOT 8: ATTN READ MUX CONTROL BUS INPUT MUX.

REVISIONS		
CHK	CHANGE NO	REV

TITLE	INTERFACE CONTROL (DP0)	SIZE CODE	D	NUMBER	CSM7787-0-1	REV.	E
SCALE	SHEET 2 OF 8		DIST.				

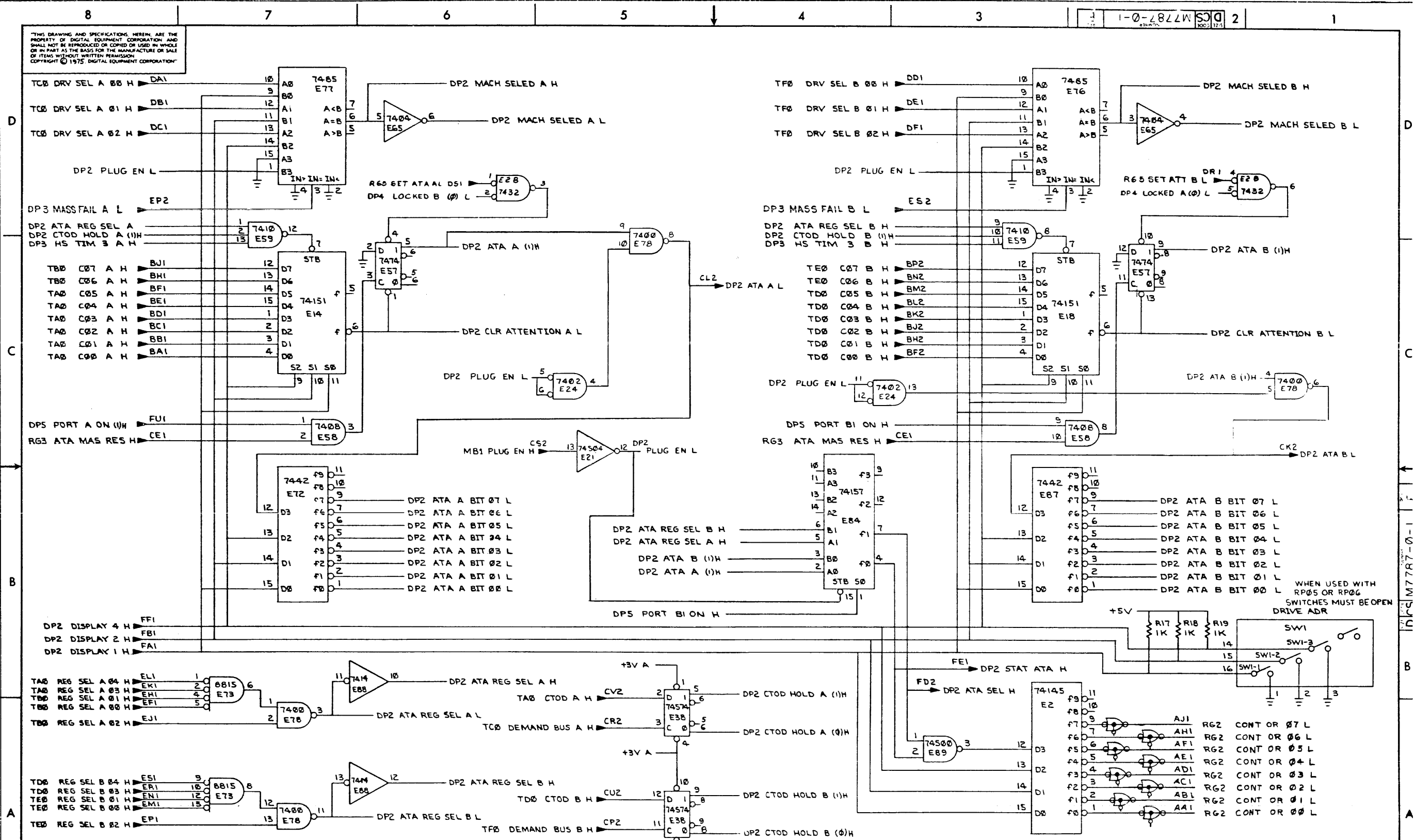
THIS DRAWING AND SPECIFICATIONS HEREIN ARE THE PROPERTY OF DIGITAL EQUIPMENT CORPORATION AND SHALL NOT BE REPRODUCED OR COPIED OR USED IN WHOLE OR IN PART AS THE BASIS FOR THE MANUFACTURE OR SALE OF ITEMS WITHOUT WRITTEN PERMISSION. COPYRIGHT © 1975 DIGITAL EQUIPMENT CORPORATION.



SLOT #8:
MASS BUS TRANSCEIVER ENABLES

REVISIONS		
CHK	CHANGE NO	REV

THIS DRAWING AND SPECIFICATIONS HEREIN ARE THE PROPERTY OF DIGITAL EQUIPMENT CORPORATION AND SHALL NOT BE REPRODUCED OR COPIED OR USED IN WHOLE OR IN PART AS THE BASIS FOR THE MANUFACTURE OR SALE OF ITEMS WITHOUT WRITTEN PERMISSION. COPYRIGHT © 1975, DIGITAL EQUIPMENT CORPORATION.

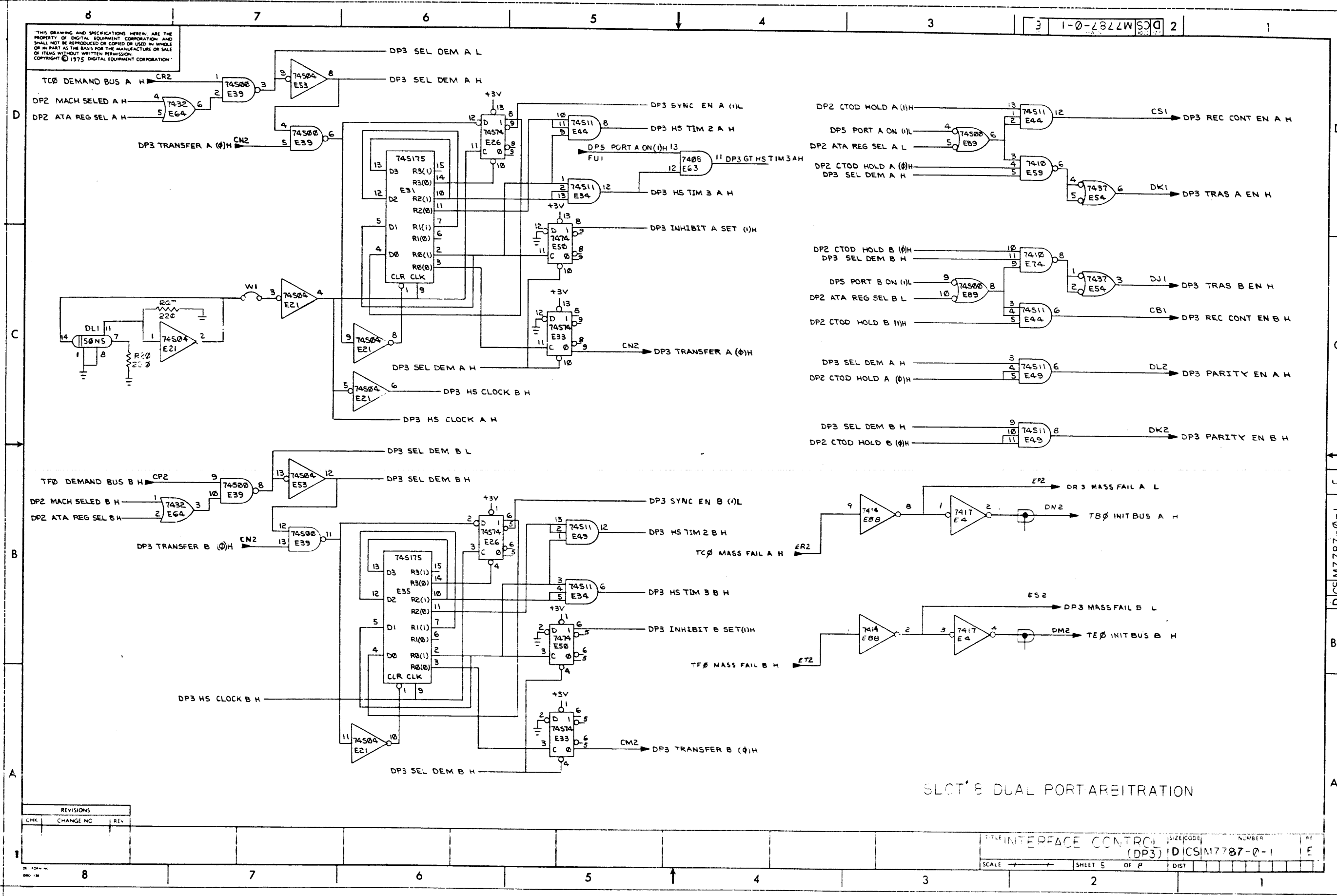


SLOT 8: ATTENTION REG. MUX / ATTN REG.

REVISIONS		
CHK	CHANGE NO	REV

TITLE	INTERFACE CONTROL (DP2)	SIZE	CODE	NUMBER	REV.
SCALE	SHEET 4	OF 8	DIST	M7787-0-1	E

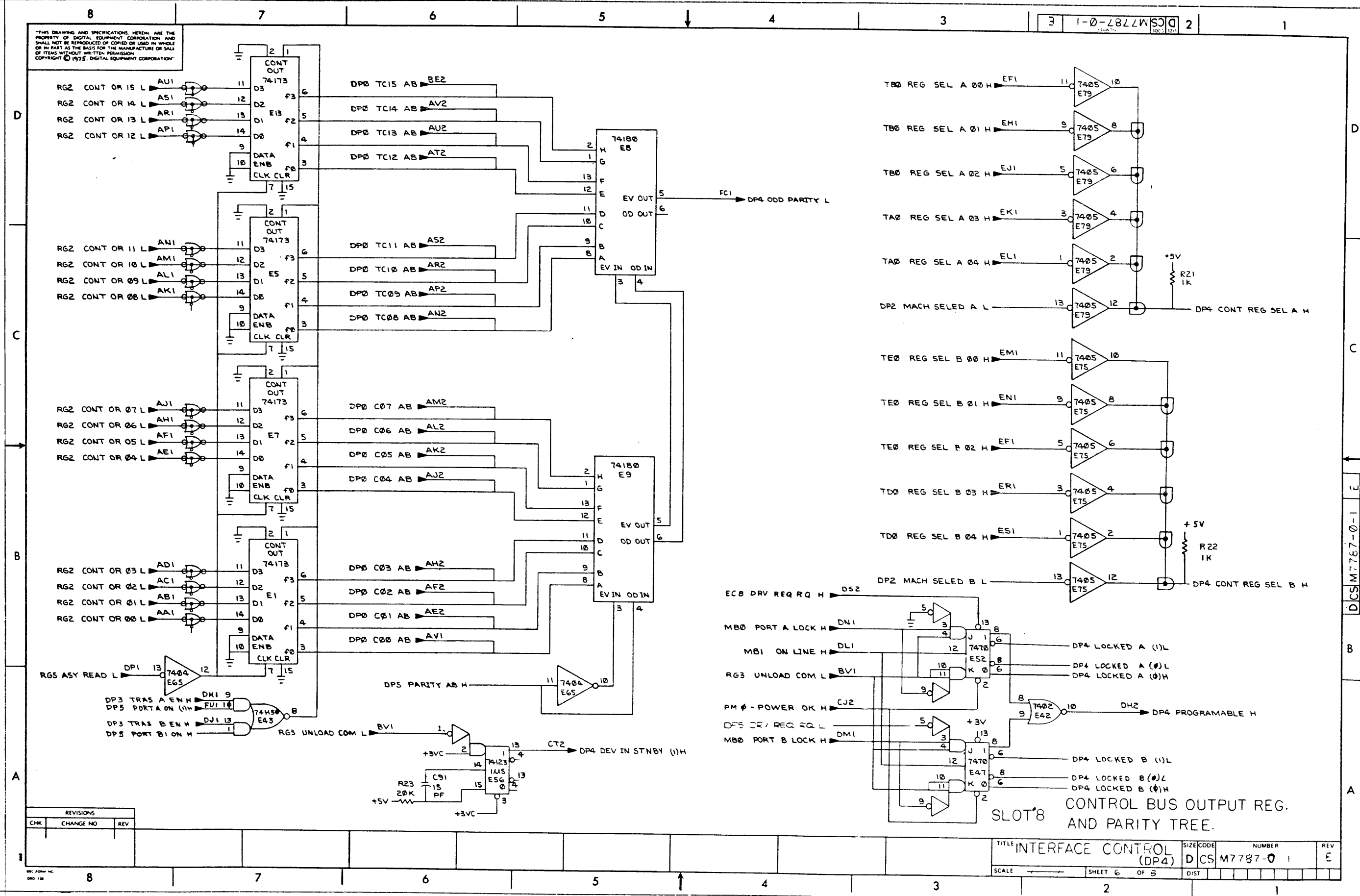
THIS DRAWING AND SPECIFICATIONS HEREIN ARE THE PROPERTY OF DIGITAL EQUIPMENT CORPORATION AND SHALL NOT BE REPRODUCED OR COPIED OR USED IN WHOLE OR IN PART AS THE BASIS FOR THE MANUFACTURE OR SALE OF ITEMS WITHOUT WRITTEN PERMISSION. COPYRIGHT © 1975 DIGITAL EQUIPMENT CORPORATION



REVISIONS		
CHK	CHANGE NO	REV

THIS DRAWING AND SPECIFICATIONS HEREIN ARE THE PROPERTY OF DIGITAL EQUIPMENT CORPORATION, AND SHALL NOT BE REPRODUCED OR COPIED OR USED IN WHOLE OR IN PART AS THE BASIS FOR THE MANUFACTURE OR SALE OF ITEMS WITHOUT WRITTEN PERMISSION. COPYRIGHT © 1975, DIGITAL EQUIPMENT CORPORATION.

1-0-2822WSD 2



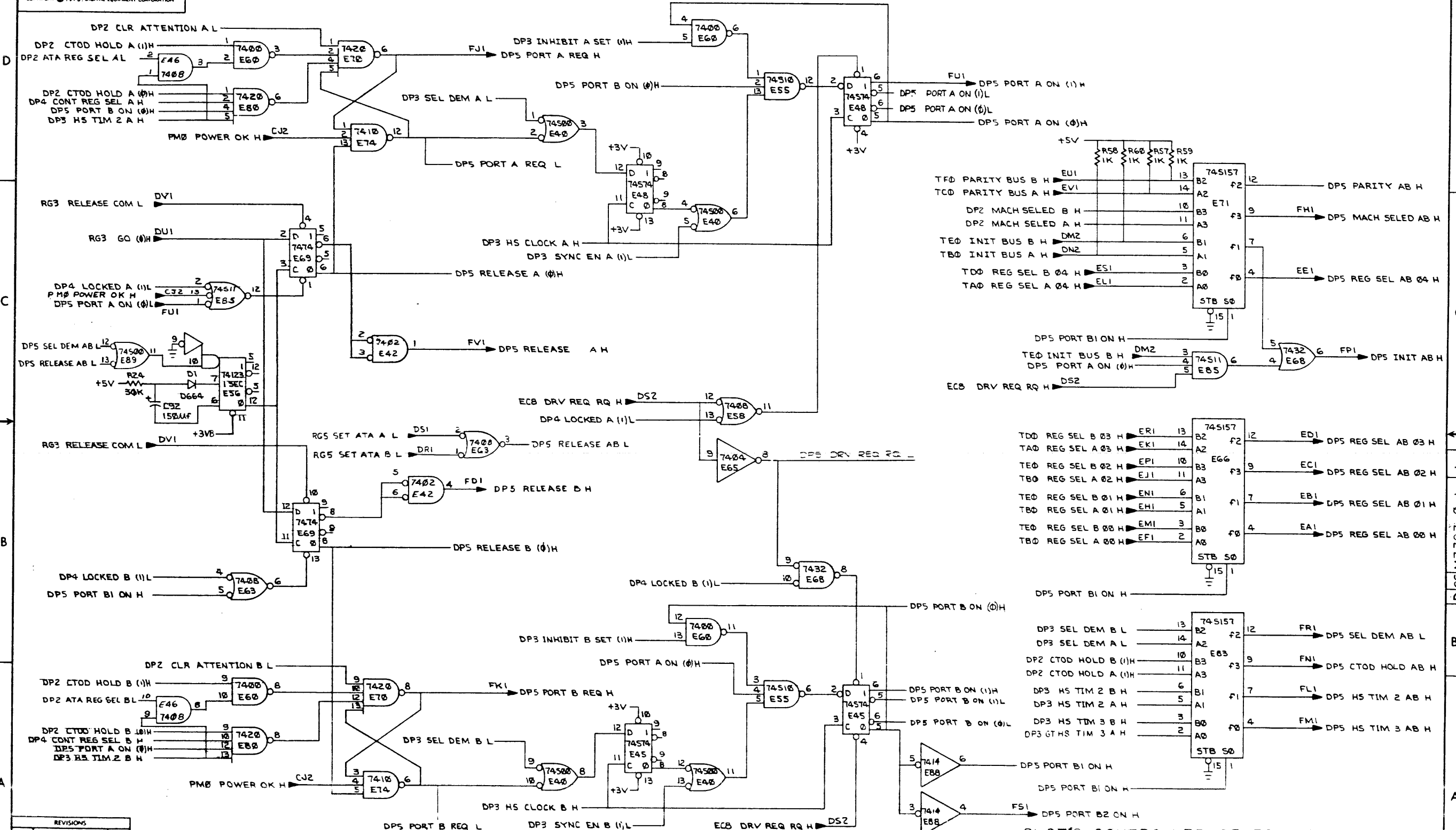
DCS M7787-0-1

REVISIONS		
CHK	CHANGE NO	REV

TITLE	INTERFACE CONTROL (DP4)	SIZE CODE	D CS	NUMBER	M7787-0 1	REV	E
SCALE	SHEET 6 OF 5		DIST				

SLOT 8 CONTROL BUS OUTPUT REG. AND PARITY TREE.

THIS DRAWING AND SPECIFICATIONS HEREIN ARE THE PROPERTY OF DIGITAL EQUIPMENT CORPORATION AND SHALL NOT BE REPRODUCED OR COPIED OR USED IN WHOLE OR IN PART AS THE BASIS FOR THE MANUFACTURE OR SALE OF ITEMS WITHOUT WRITTEN PERMISSION. COPYRIGHT © 1975, DIGITAL EQUIPMENT CORPORATION.

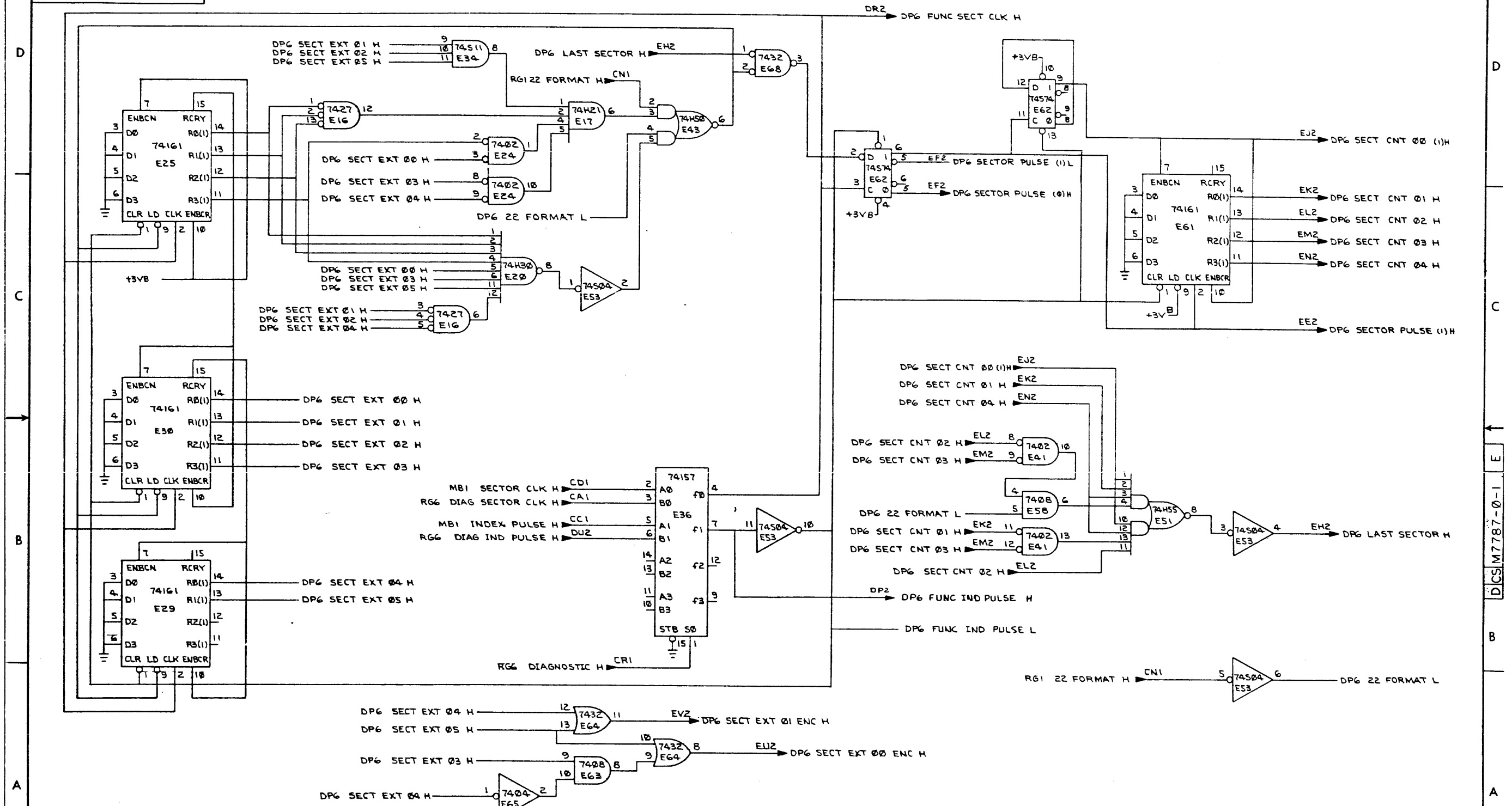


REVISIONS		
CHK	CHANGE NO	REV

SLOT 8 CONTROLLER SELECT LOGIC

TITLE	INTERFACE CONTROL (DEF)	SIZE CODE	NUMBER	REV
SCALE	+	SHEET 7	OF 8	E

THIS DRAWING AND SPECIFICATIONS HEREIN ARE THE PROPERTY OF DIGITAL EQUIPMENT CORPORATION AND SHALL NOT BE REPRODUCED OR COPIED OR USED IN WHOLE OR IN PART AS THE BASIS FOR THE MANUFACTURE OR SALE OF ITEMS WITHOUT WRITTEN PERMISSION. COPYRIGHT © 1975 DIGITAL EQUIPMENT CORPORATION.



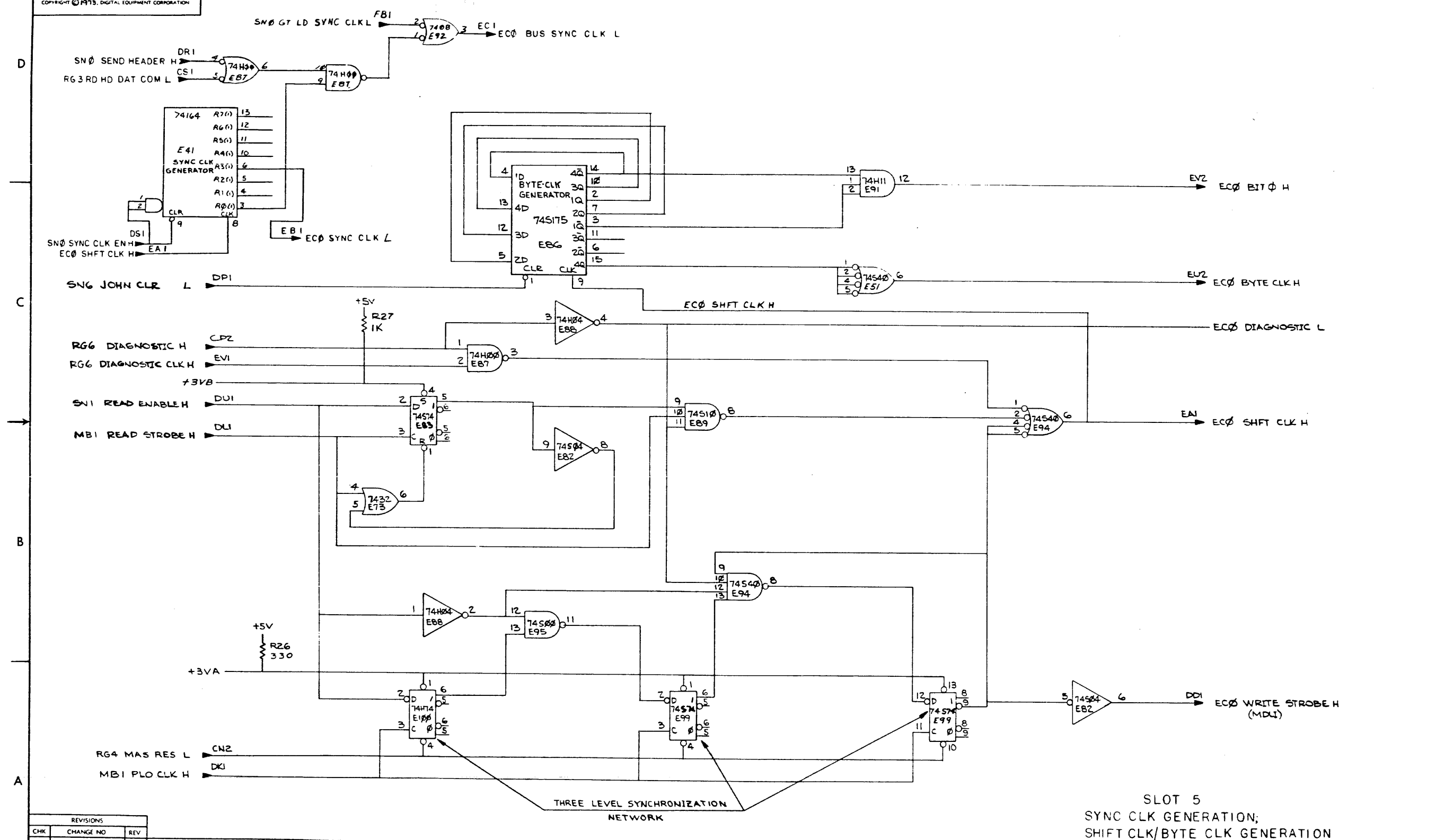
SLOT 8: SECTOR/SECTOR EXT COUNTER

REVISIONS		
CHK	CHANGE NO	REV

TITLE	INTERFACE CONTROL (DP6)	SIZE CODE	D CS	NUMBER	M7787-0-1	REV	E
SCALE	+	SHEET	B	OF	8	DIST	

DCS M7787-0-1 E

THIS DRAWING AND SPECIFICATIONS HEREIN ARE THE PROPERTY OF DIGITAL EQUIPMENT CORPORATION AND SHALL NOT BE REPRODUCED OR COPIED OR USED IN WHOLE OR IN PART AS THE BASIS FOR THE MANUFACTURE OR SALE OF ITEMS WITHOUT WRITTEN PERMISSION. COPYRIGHT © 1975, DIGITAL EQUIPMENT CORPORATION.

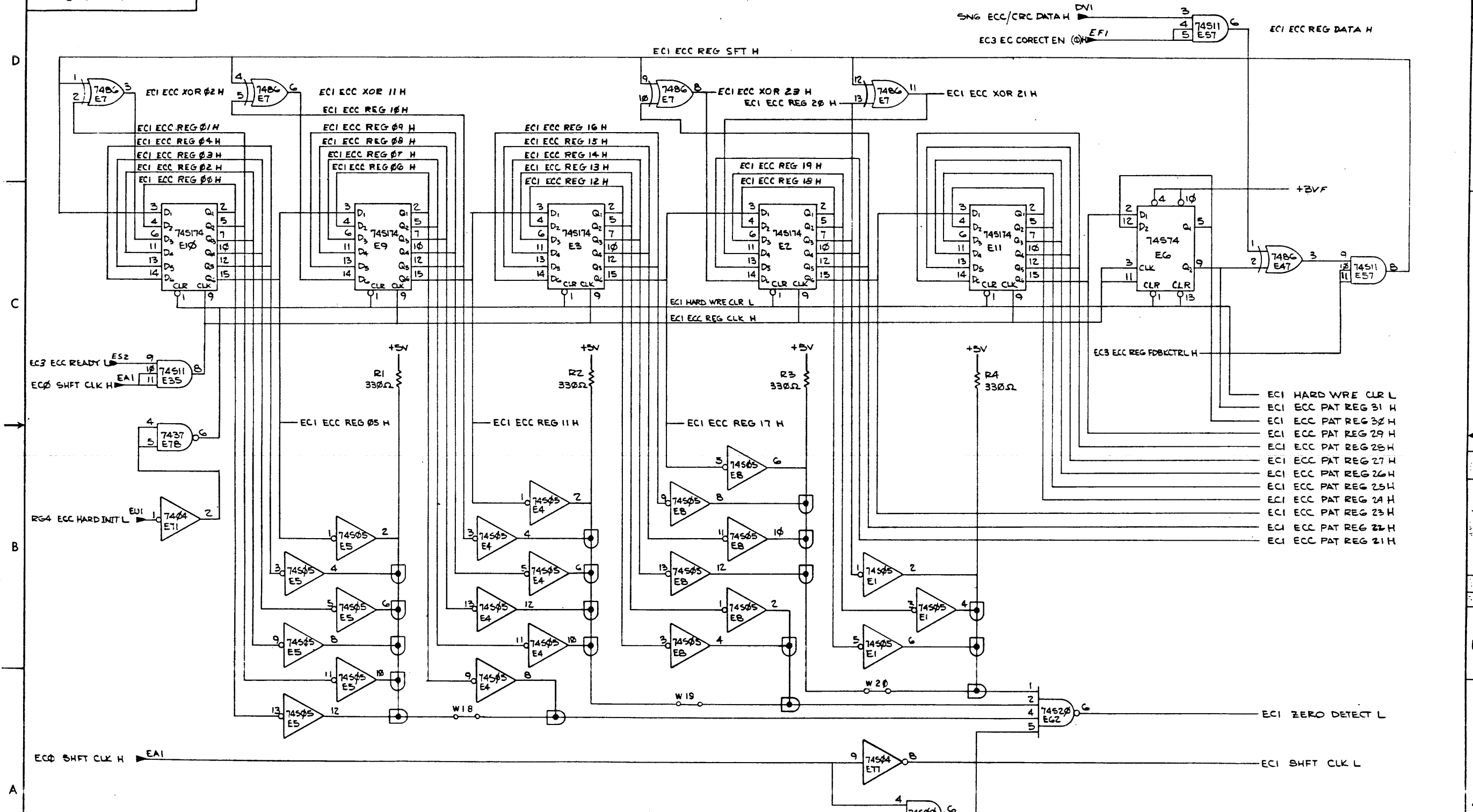


SLOT 5
 SYNC CLK GENERATION;
 SHIFT CLK/BYTE CLK GENERATION

REVISIONS		
CHK	CHANGE NO	REV

TITLE	ERROR CORRECTION LOGIC (ECØ)	SIZE CODE	D CS	NUMBER	M7776-Ø-1	REV.	E
SCALE		SHEET	2 OF 11	DIST.			

"THIS DRAWING AND SPECIFICATIONS HEREIN ARE THE PROPERTY OF DIGITAL EQUIPMENT CORPORATION AND SHALL NOT BE REPRODUCED OR COPIED OR USED IN WHOLE OR IN PART AS THE BASIS FOR THE MANUFACTURE OR SALE OF IT'S WITHOUT WRITTEN PERMISSION. COPYRIGHT © 1973 DIGITAL EQUIPMENT CORPORATION"

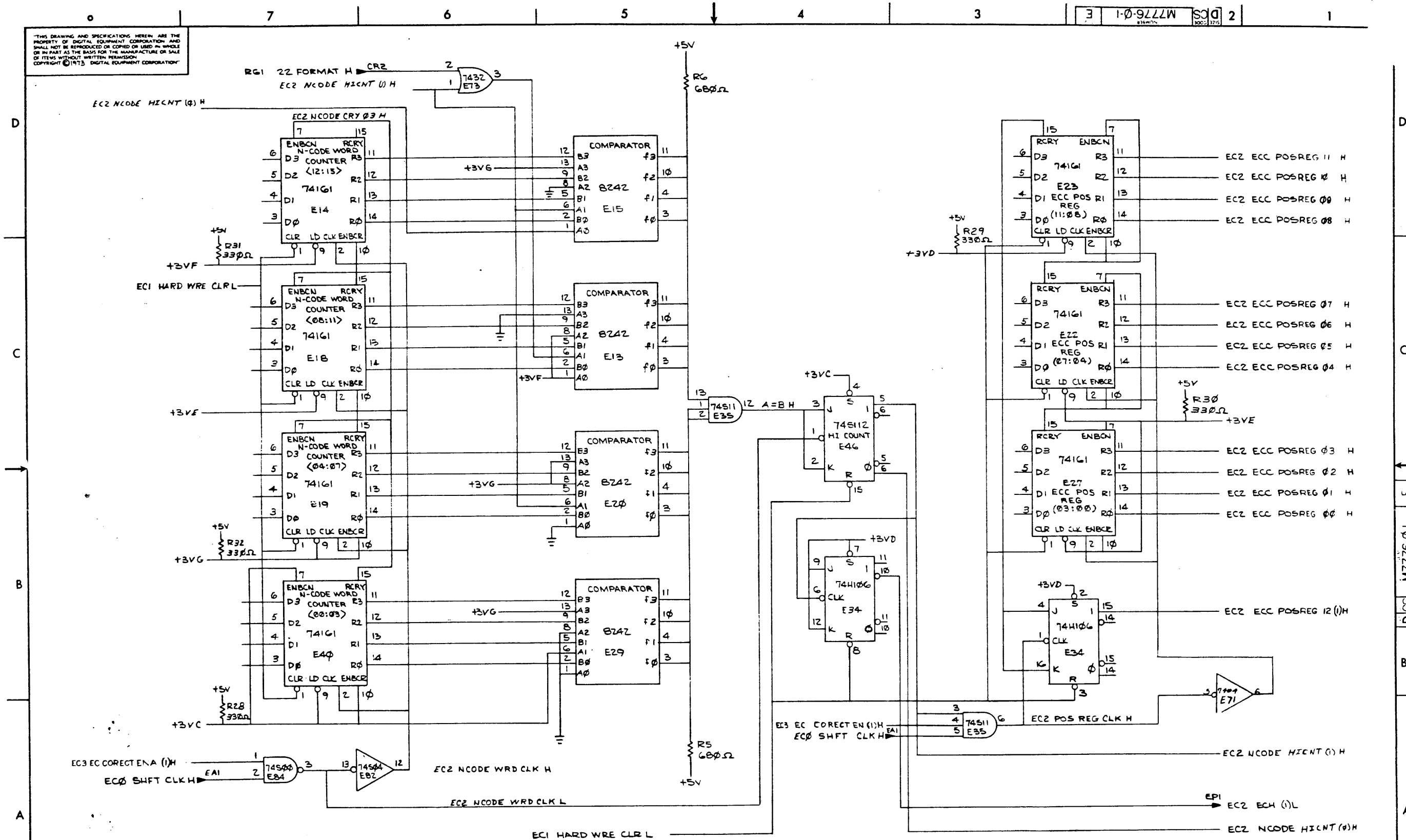


REVISIONS		
CHK	CHANGE NO	REV

SLOT 5
ECC SHIFT/PATTERN REGISTER

TITLE	ERROR CORRECTION LOGIC (EC)	SIZE CODE	D CS	NUMBER	M7776-0-1	REV.	E
SCALE	#	SHEET	3 OF 11	DIST.			

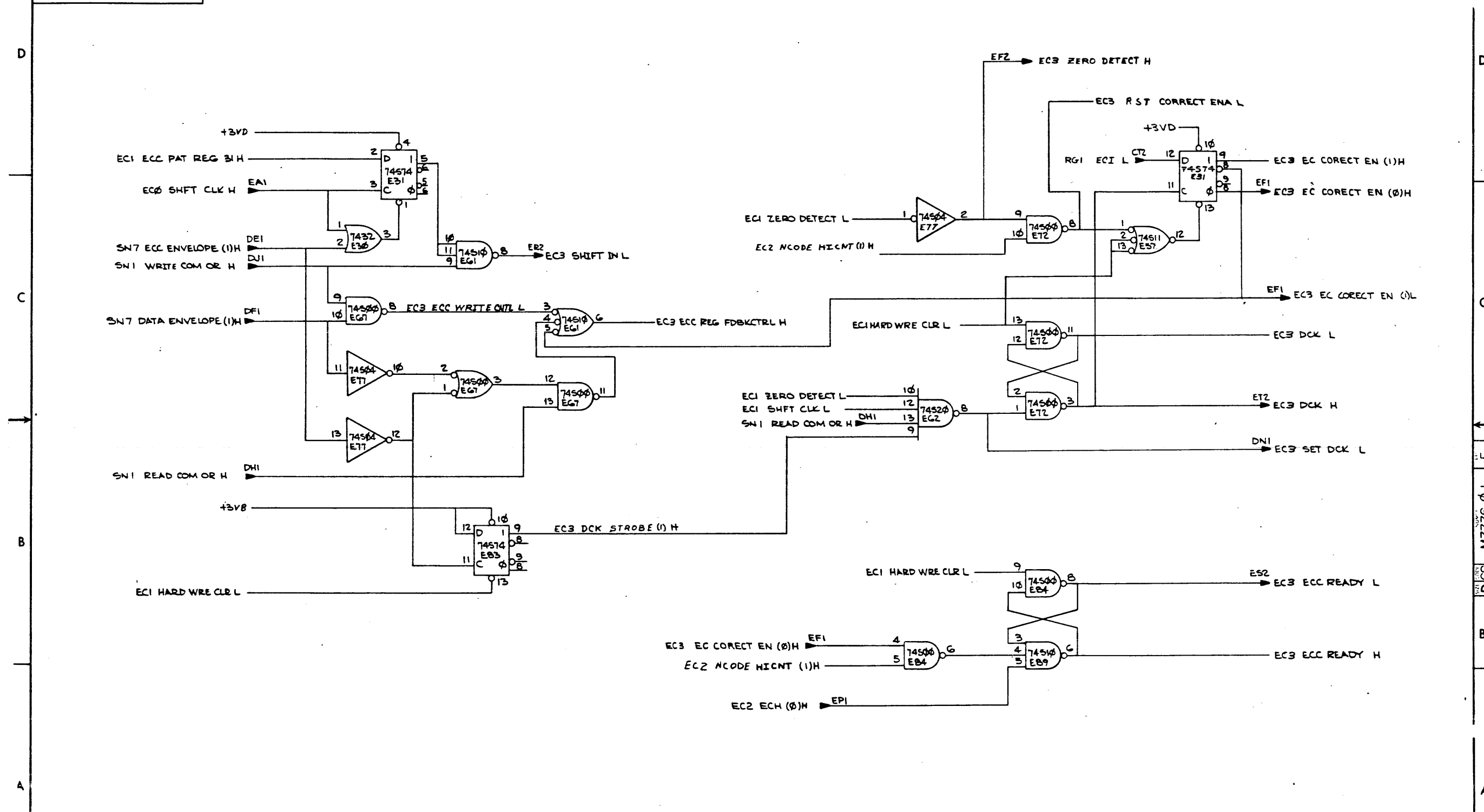
THIS DRAWING AND SPECIFICATIONS HEREIN ARE THE PROPERTY OF DIGITAL EQUIPMENT CORPORATION AND SHALL NOT BE REPRODUCED OR COPIED OR USED IN WHOLE OR IN PART AS THE BASIS FOR THE MANUFACTURE OR SALE OF ITEMS WITHOUT WRITTEN PERMISSION. COPYRIGHT © 1975 DIGITAL EQUIPMENT CORPORATION.



REVISIONS		
CHK	CHANGE NO	REV

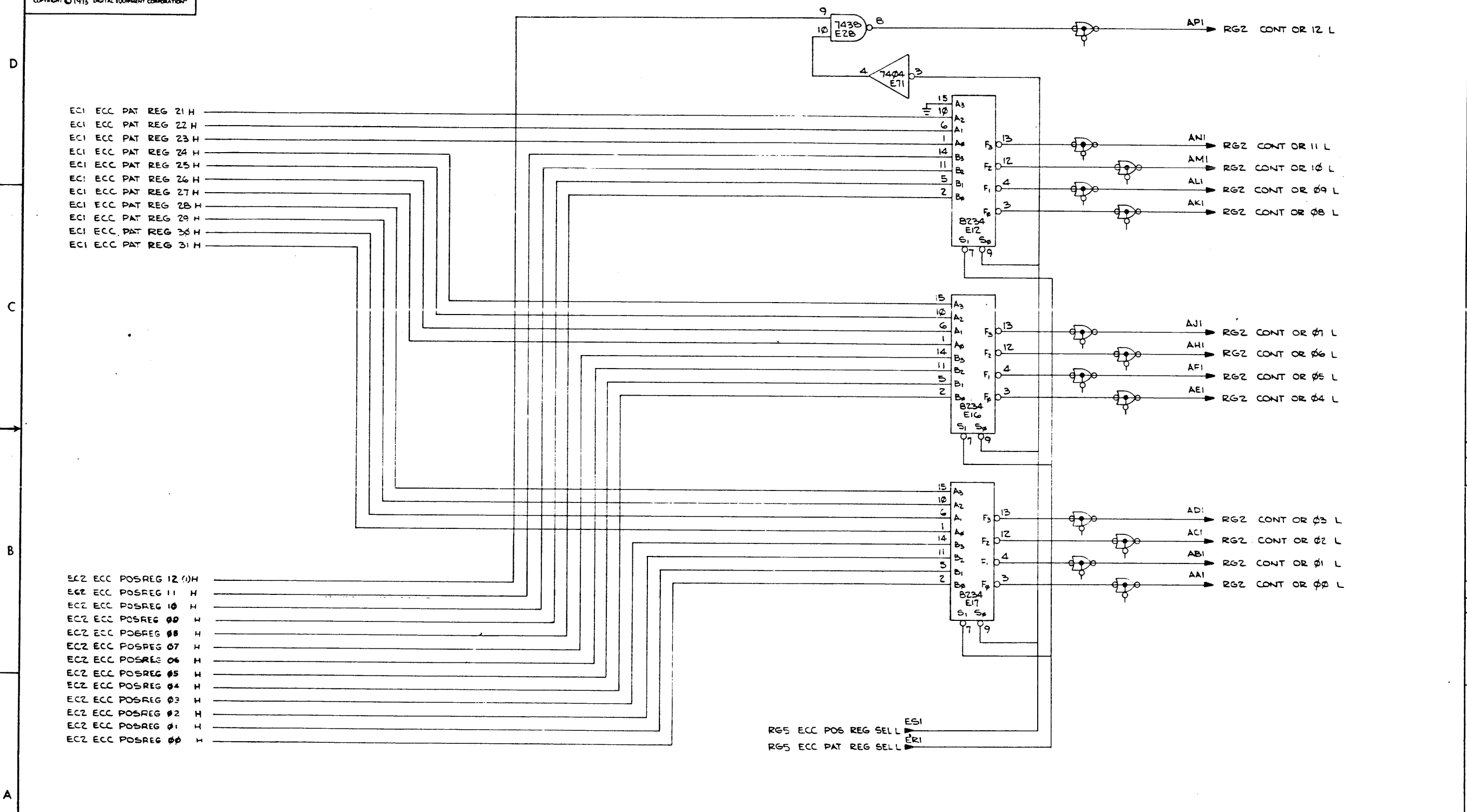
SLOT 5
ECC POSITION REGISTER

TITLE	ERROR CORRECTION LOGIC (EC2)	SIZE CODE	DCS	NUMBER	M7776-0-1	REV.	E
SCALE		SHEET	4 OF 11	DIST.			



REVISIONS		
CHK	CHANGE NO	REV

THIS DRAWING AND SPECIFICATIONS HEREIN ARE THE PROPERTY OF DIGITAL EQUIPMENT CORPORATION AND SHALL NOT BE REPRODUCED OR COPIED OR USED IN WHOLE OR IN PART AS THE BASIS FOR THE MANUFACTURE OR SALE OF ITEMS WITHOUT WRITTEN PERMISSION. COPYRIGHT © 1973, DIGITAL EQUIPMENT CORPORATION.



EC1 ECC PAT REG 21 H
 EC1 ECC PAT REG 22 H
 EC1 ECC PAT REG 23 H
 EC1 ECC PAT REG 24 H
 EC1 ECC PAT REG 25 H
 EC1 ECC PAT REG 26 H
 EC1 ECC PAT REG 27 H
 EC1 ECC PAT REG 28 H
 EC1 ECC PAT REG 29 H
 EC1 ECC PAT REG 30 H
 EC1 ECC PAT REG 31 H

EC2 ECC POSREG 12 H
 EC2 ECC POSREG 11 H
 EC2 ECC POSREG 10 H
 EC2 ECC POSREG 09 H
 EC2 ECC POSREG 08 H
 EC2 ECC POSREG 07 H
 EC2 ECC POSREG 06 H
 EC2 ECC POSREG 05 H
 EC2 ECC POSREG 04 H
 EC2 ECC POSREG 03 H
 EC2 ECC POSREG 02 H
 EC2 ECC POSREG 01 H
 EC2 ECC POSREG 00 H

RG5 ECC POS REG SEL ES1
 RG5 ECC PAT REG SEL ER1

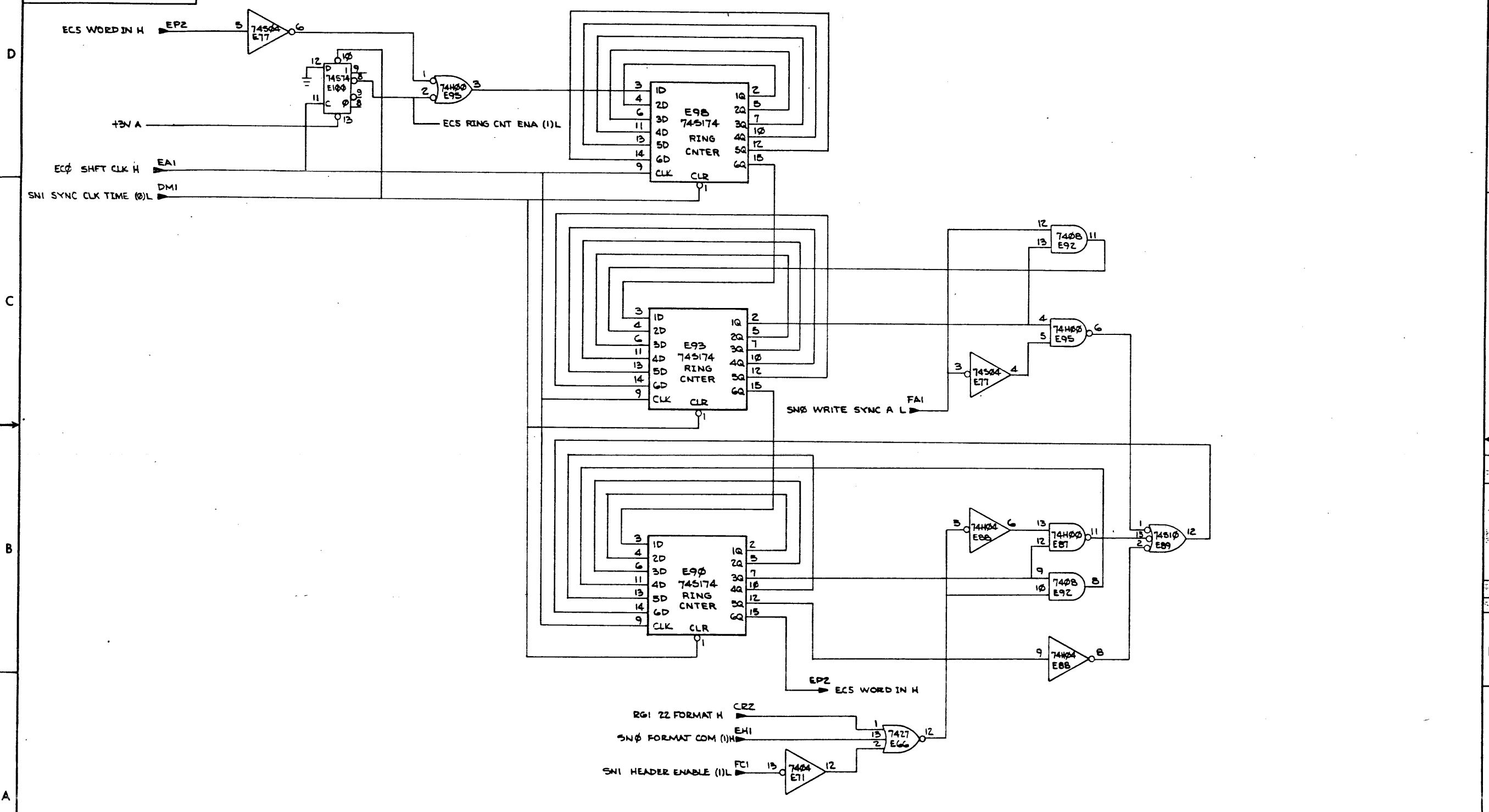
REVISIONS		
CHK	CHANGE NO	REV

SLOT 5
 ECC PAT/ POS REGISTER MUX.

TITLE	ERROR CORRECTION LOGIC (EC4)	SIZE CODE	DCS	NUMBER	M776-0-1	REV.	E
SCALE	H	SHEET	6	OF	11	DIST	

DCS M776-0-1 E

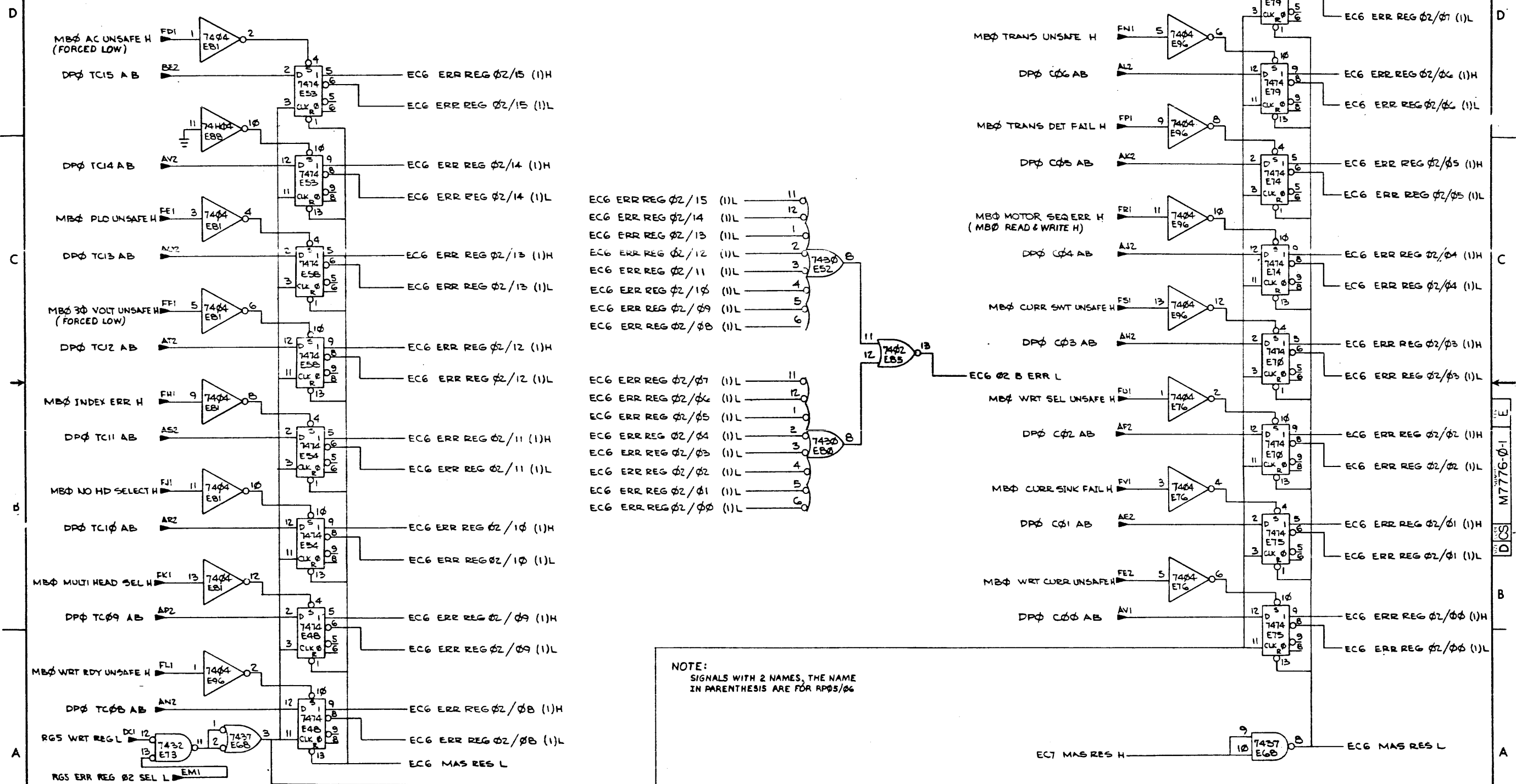
"THIS DRAWING AND SPECIFICATIONS, HEREIN, ARE THE PROPERTY OF DIGITAL EQUIPMENT CORPORATION AND SHALL NOT BE REPRODUCED OR COPIED OR USED IN WHOLE OR IN PART AS THE BASIS FOR THE MANUFACTURE OR SALE OF ITEMS WITHOUT WRITTEN PERMISSION. COPYRIGHT © 1973, DIGITAL EQUIPMENT CORPORATION"



REVISIONS		
CHK	CHANGE NO	REV

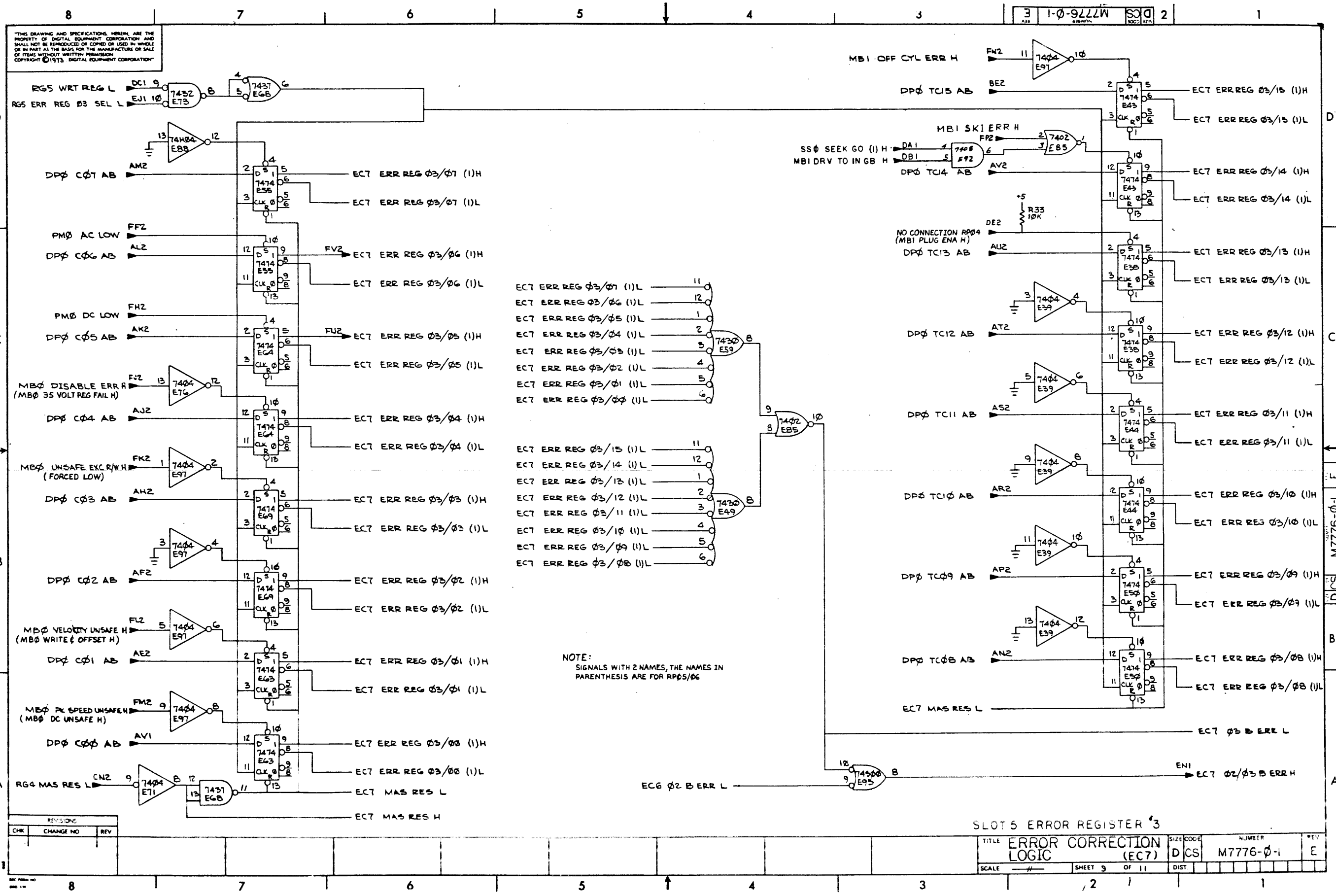
SLOT 5
RING COUNTER

THIS DRAWING AND SPECIFICATIONS HEREIN ARE THE PROPERTY OF DIGITAL EQUIPMENT CORPORATION AND SHALL NOT BE REPRODUCED OR COPIED OR USED IN WHOLE OR IN PART AS THE BASIS FOR THE MANUFACTURE OR SALE OF ITEMS WITHOUT WRITTEN PERMISSION. COPYRIGHT © 1973, DIGITAL EQUIPMENT CORPORATION.

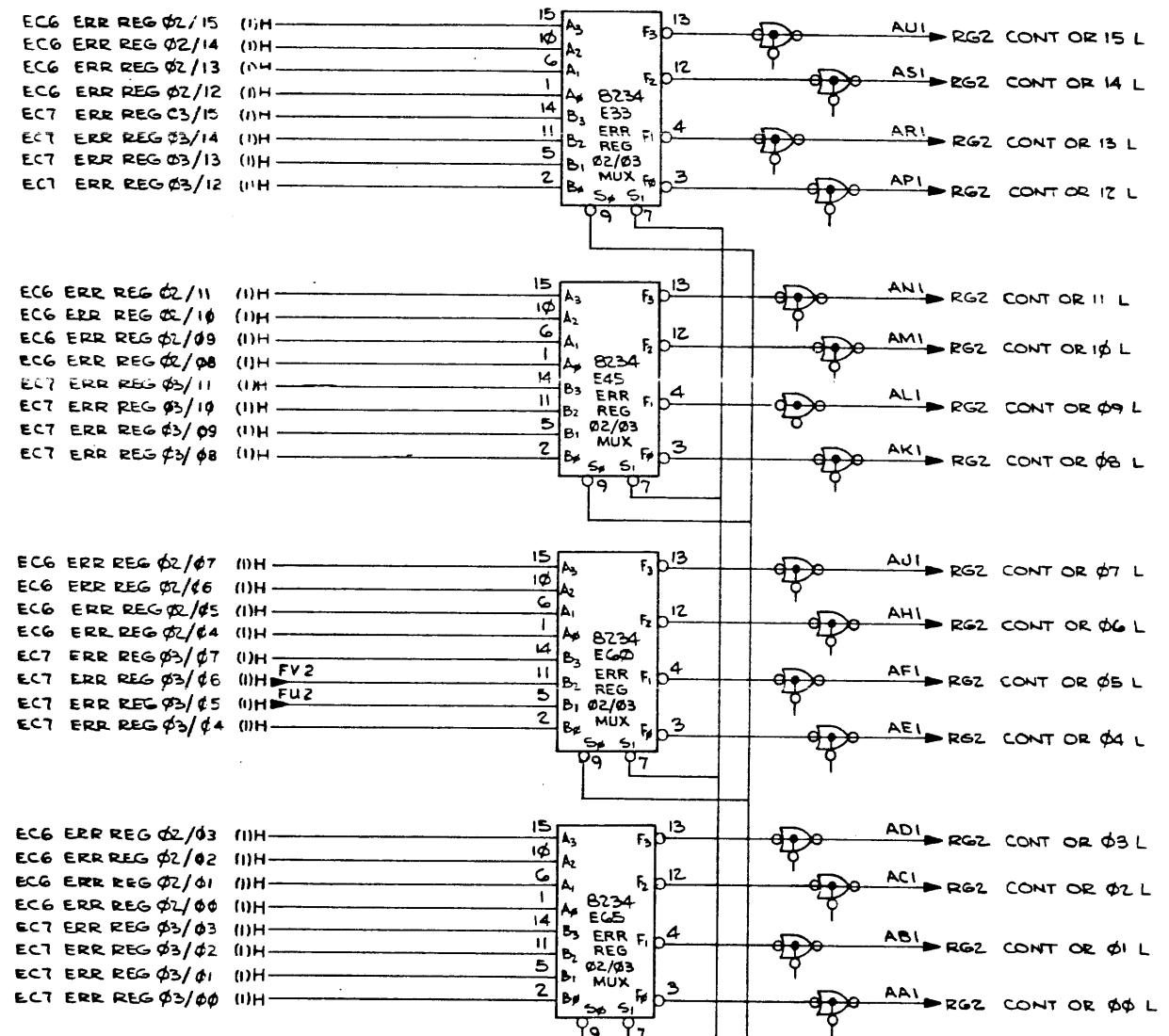


CHK	CHANGE NO	REV

SLOT 5 ERROR REGISTER #2		TITLE	SIZE CODE	NUMBER	REV.
ERROR CORRECTION LOGIC (EC6)		DCS	M7776-01	E	
SCALE	#	SHEET	8	OF	11
DIST.					

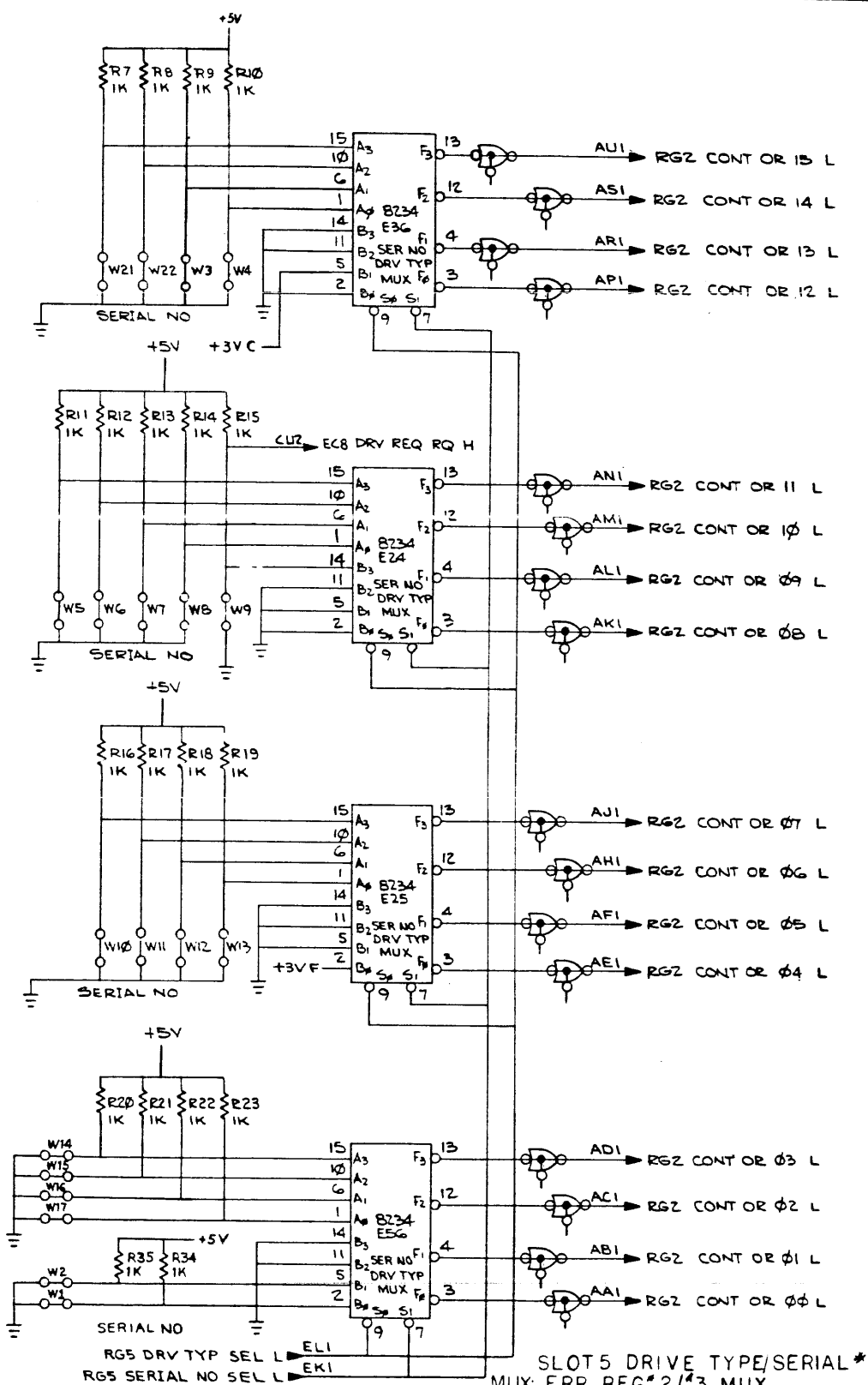


THIS DRAWING AND SPECIFICATIONS HEREIN ARE THE PROPERTY OF DIGITAL EQUIPMENT CORPORATION AND SHALL NOT BE REPRODUCED OR COPIED OR USED IN WHOLE OR IN PART AS THE BASIS FOR THE MANUFACTURE OR SALE OF ITS AS WITHOUT WRITTEN PERMISSION. COPYRIGHT © 1973, DIGITAL EQUIPMENT CORPORATION.



DRIVE TYPE VARIATION

DRIVE TYPE	JUMPERS	W1	W2
RP04	IN	IN	
RP05	OUT	IN	
RP06	IN	OUT	

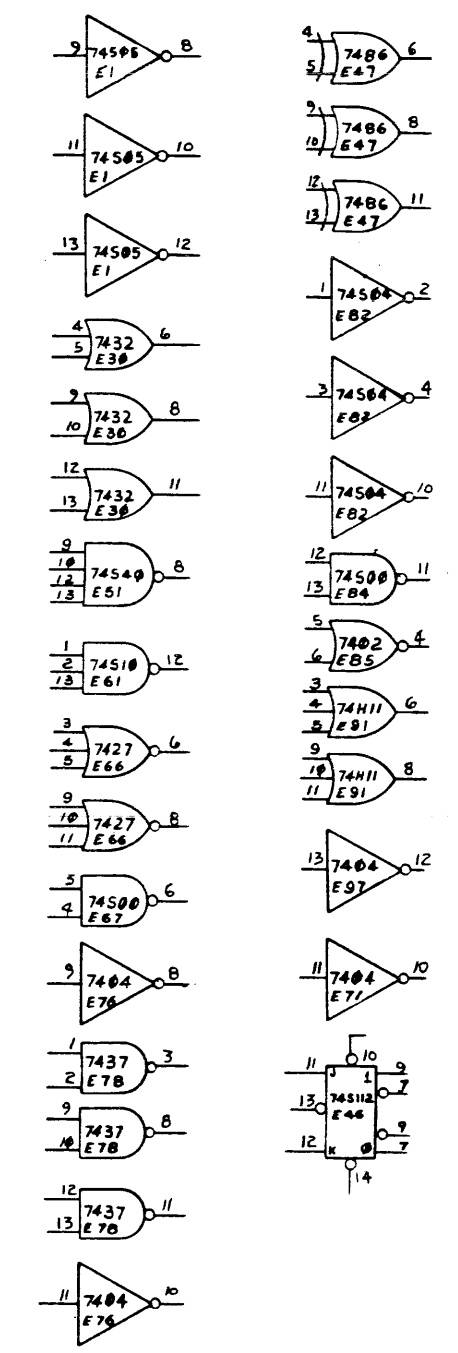
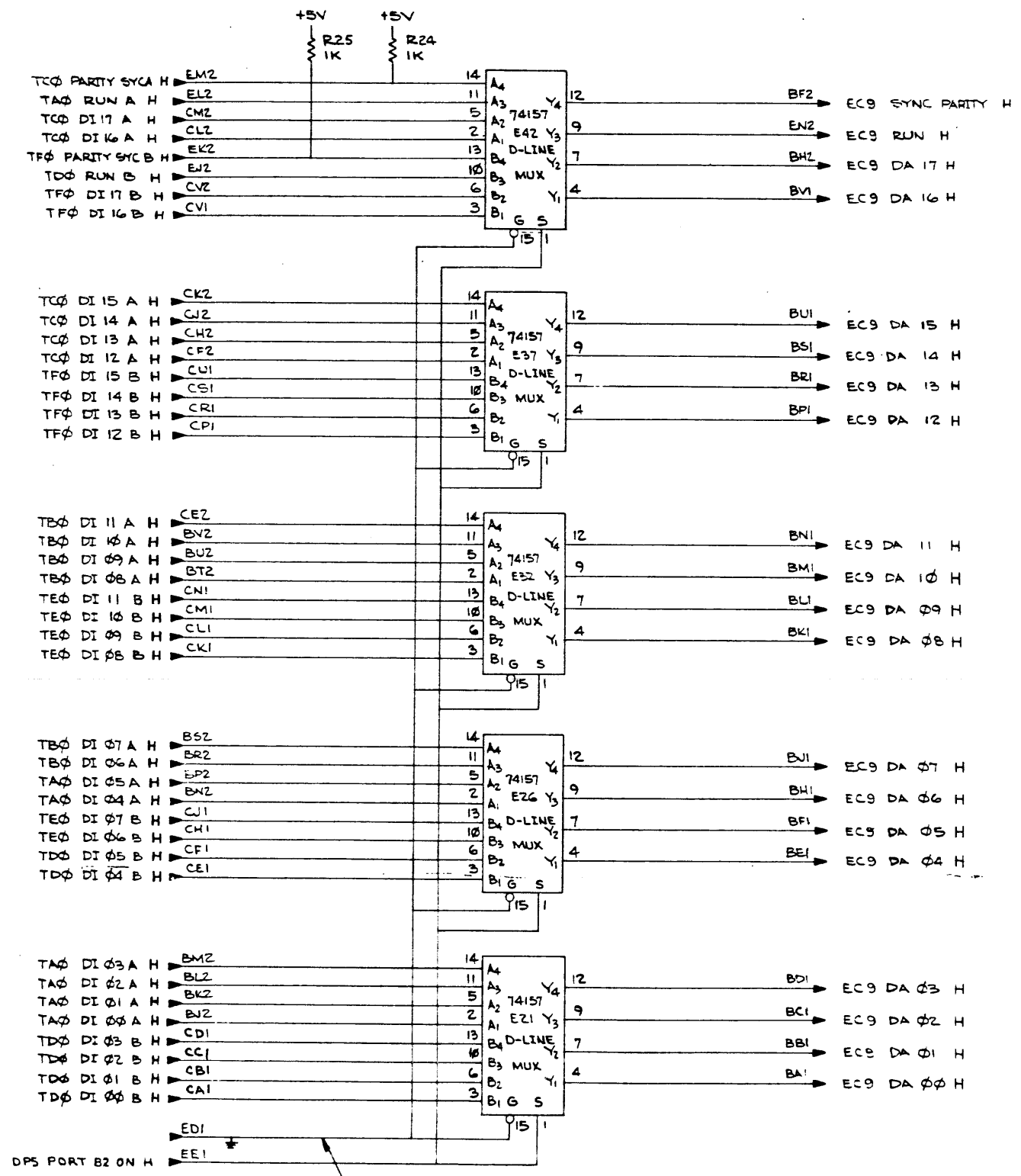


SLOT 5 DRIVE TYPE/SERIAL * MUX; ERR REG # 2/3 MUX

REVISIONS

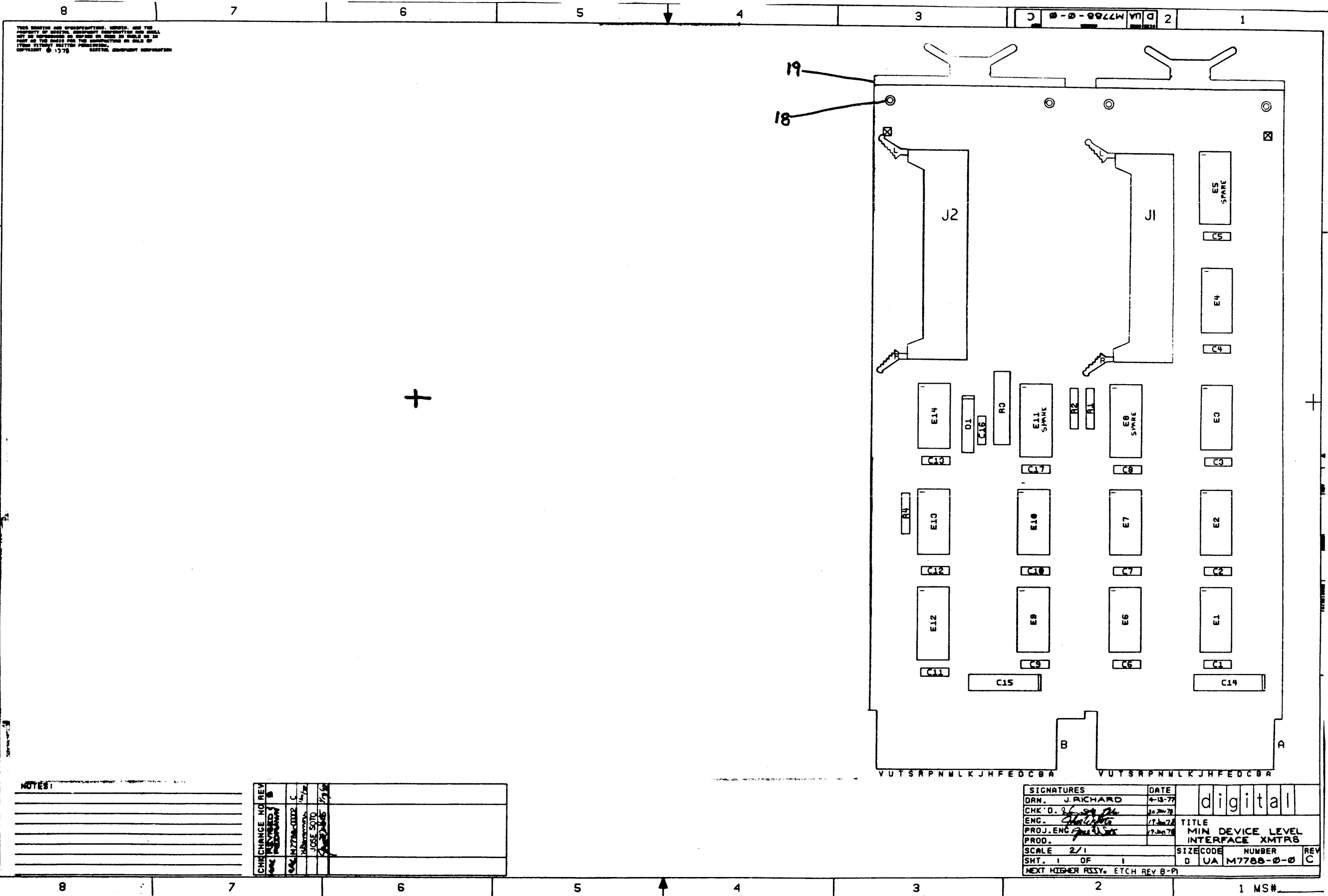
CHK	CHANGE NO	REV

THIS DRAWING AND SPECIFICATIONS HEREIN ARE THE PROPERTY OF DIGITAL EQUIPMENT CORPORATION AND SHALL NOT BE REPRODUCED OR COPIED OR USED IN WHOLE OR IN PART AS THE BASIS FOR THE MANUFACTURE OR SALE OF ITEMS WITHOUT WRITTEN PERMISSION. COPYRIGHT © 1973 DIGITAL EQUIPMENT CORPORATION.



REVISIONS		
CHK	CHANGE NO	REV

THIS DRAWING AND SPECIFICATIONS HEREBY ARE THE PROPERTY OF DIGITAL EQUIPMENT CORPORATION AND WILL NOT BE REPRODUCED OR TRANSMITTED IN ANY FORM OR BY ANY MEANS, ELECTRONIC OR MECHANICAL, INCLUDING PHOTOCOPYING, RECORDING, OR BY ANY INFORMATION STORAGE AND RETRIEVAL SYSTEM, WITHOUT WRITTEN PERMISSION. COPYRIGHT © 1978 DIGITAL EQUIPMENT CORPORATION



NOTES:

CHANGE NO	REV	DATE	BY	CHK'D

SIGNATURES	DATE	digital
DRN. J. RICHARD	4-13-77	
CHK'D. J. S. [Signature]	10-20-78	
ENC. [Signature]	11-1-78	
PROJ. ENG. [Signature]	12-1-78	
TITLE		MIN DEVICE LEVEL INTERFACE XMTAS
SCALE 2/1	SIZE CODE	
SHT. 1 OF 1	NUMBER	REV
NEXT HIGHER ASSY. ETCH REV B-P1	0 UA M7788-0-0	C

1 MS#

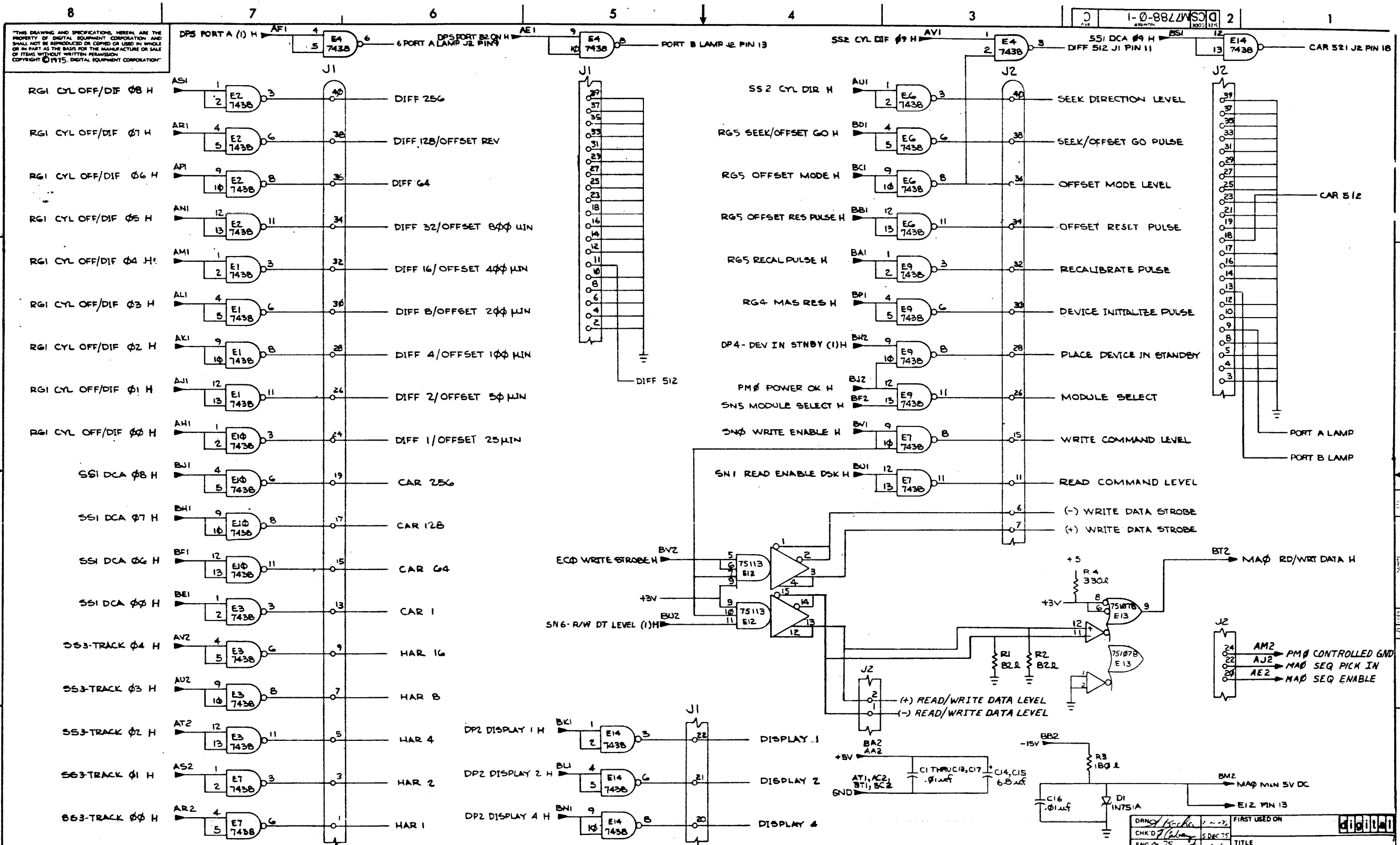
DIGITAL EQUIPMENT CORPORATION
MAYNARD, MASSACHUSETTS
PARTS LIST

QUANTITY / VARIATION

MADE BY T. ROCHA	CHECKED <i>J. Carberry</i>	SECTION 1
DATE 20-NOV-75	DATE 5 DEC 75	
ENG <i>OW Sargent</i>	PROD <i>R. Plon</i>	ISSUED SECT. 1
DATE 12-19-75	DATE 10 FEB 76	

ITEM NO.	DWG NO. / PART NO.	DESCRIPTION	REF	QTY	VARIATION
1	D-CS-M7788-0-1	CIRCUIT SCHEMATIC	REF		
2	K-CO-M7788-0-4	X-Y COORDINATE HOLE LOCATION	REF		
3	D-AH-M7788-0-5	ASSY/DRILLING HOLE LAYOUT	REF		
4	B-MH-M7788-0-6	MODULE ECO HISTORY	REF		
5	5011767	ETCHED CIRCUIT BOARD	1		
6	1001610-00	CAP .01UF 50V 20% AXIAL CER	15	C1-C13, C16, C17	
7	1005306-00	CAP 6.8UF 35V 10% TANT	2	C14, C15	
8	1110994-00	DIODE IN751A	1	D1	
9	1209941-02	CONN 40 PIN RT ANGLE HDR	2	J1, J2	
10	1209941-03	LEFT LATCH	2		
11	1209941-04	RIGHT LATCH	2		
12	1301477-00	RES 82 OHM 1/4W 5% CC	2	R1, R2	
13	1300262-00	RES 180 OHM 1W 5% CC	1	R3	
14	1301425-00	RES 300 1/4W 5% CC	1	R4	
15	1910268-00	IC DEC 75107B	1	E13	
16	1911219-00	IC DEC 7438	9	E1, E2, E3, E4, E6, E7, E9, E10, E14	
17	1911341-00	IC DEC 75113	1	E12	
18	9006732-00	EYELET	4		
19	9008337-06	HANDLE, FLIP CHIP, MAGENTA	2		
20	5105740-55	WIRE, 30 AWG GRN	REF		

TITLE MIM DEVICE LEVEL INTERFACE XMTRS	ASSY NO. D-UA-M7788-0-0	SIZE CODE A PL	NUMBER M7788-0-0	REV. C	ECO NO. M7788-00002
SHEET 1 OF 1		DIST.			



REVISIONS		
CHK	CHANGE NO	REV
D	M7788-0C001	B
J	M7788-0C002	C

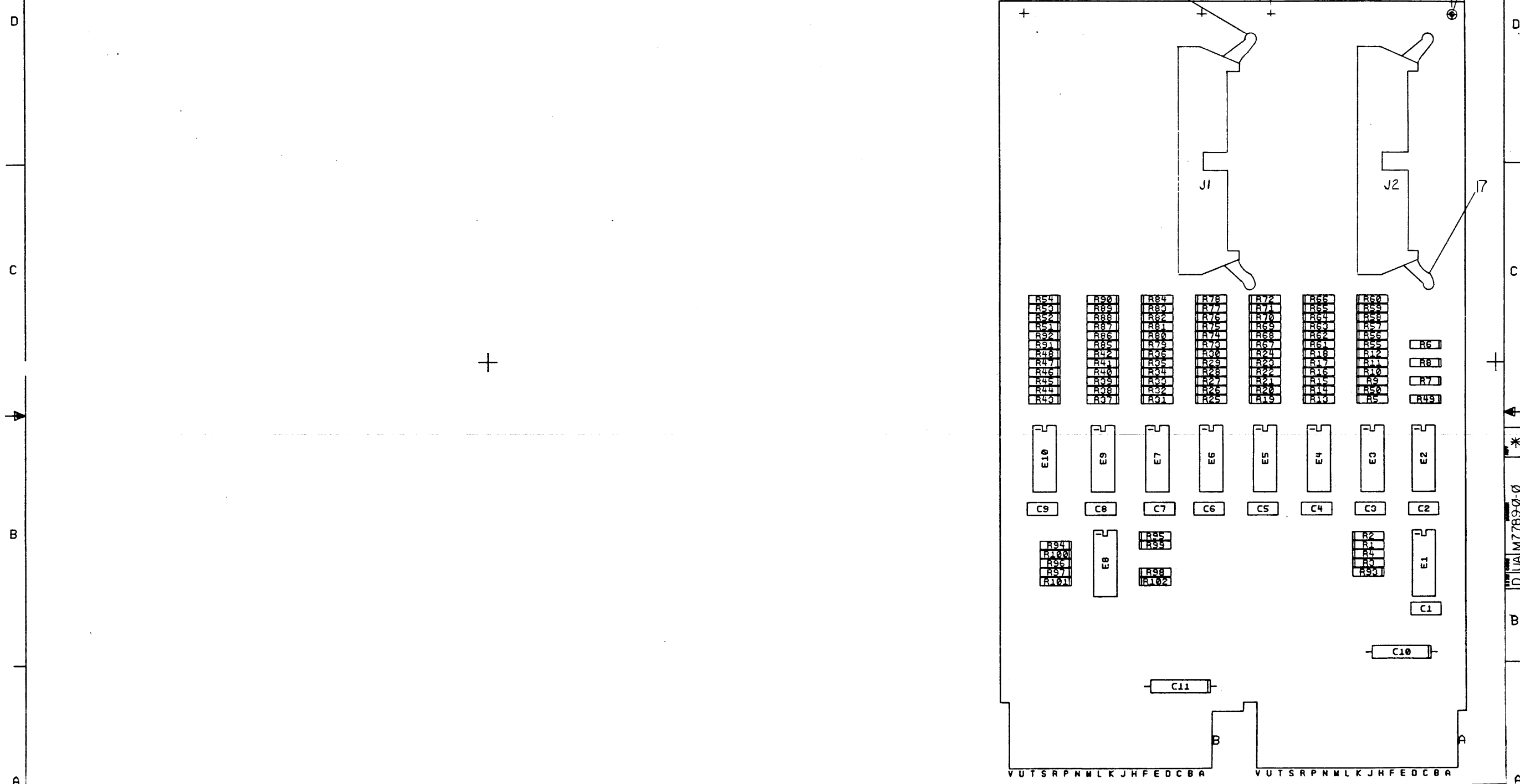
DRNG	1-0-88/MSO	FIRST USED ON	digital
CHK'D	1/10/75	TITLE	MIN DEVICE LEVEL
ENG'G	1/10/75	INTERFAC	INTERFAC XMTRS
PROJ	1/10/75	SIZE	D
PROD	1/10/75	CODE	CS
NEXT HIGHER ASSY		NUMBER	M7788-0-1
DUA-M7788-0-0		SCALE	1
SHEET	1 OF 1	DATE	

D/C S/M7788-0-1

REV. C

THIS DRAWING AND SPECIFICATIONS, HEREIN, ARE THE PROPERTY OF DIGITAL EQUIPMENT CORPORATION AND SHALL NOT BE REPRODUCED OR COPIED IN WHOLE OR IN PART OR IN ANY MANNER FOR THE MANUFACTURE OR SALE OF ITEMS WITHOUT WRITTEN PERMISSION. COPYRIGHT © 1975 DIGITAL EQUIPMENT CORPORATION

* 0-0-682/W 2



NOTES:

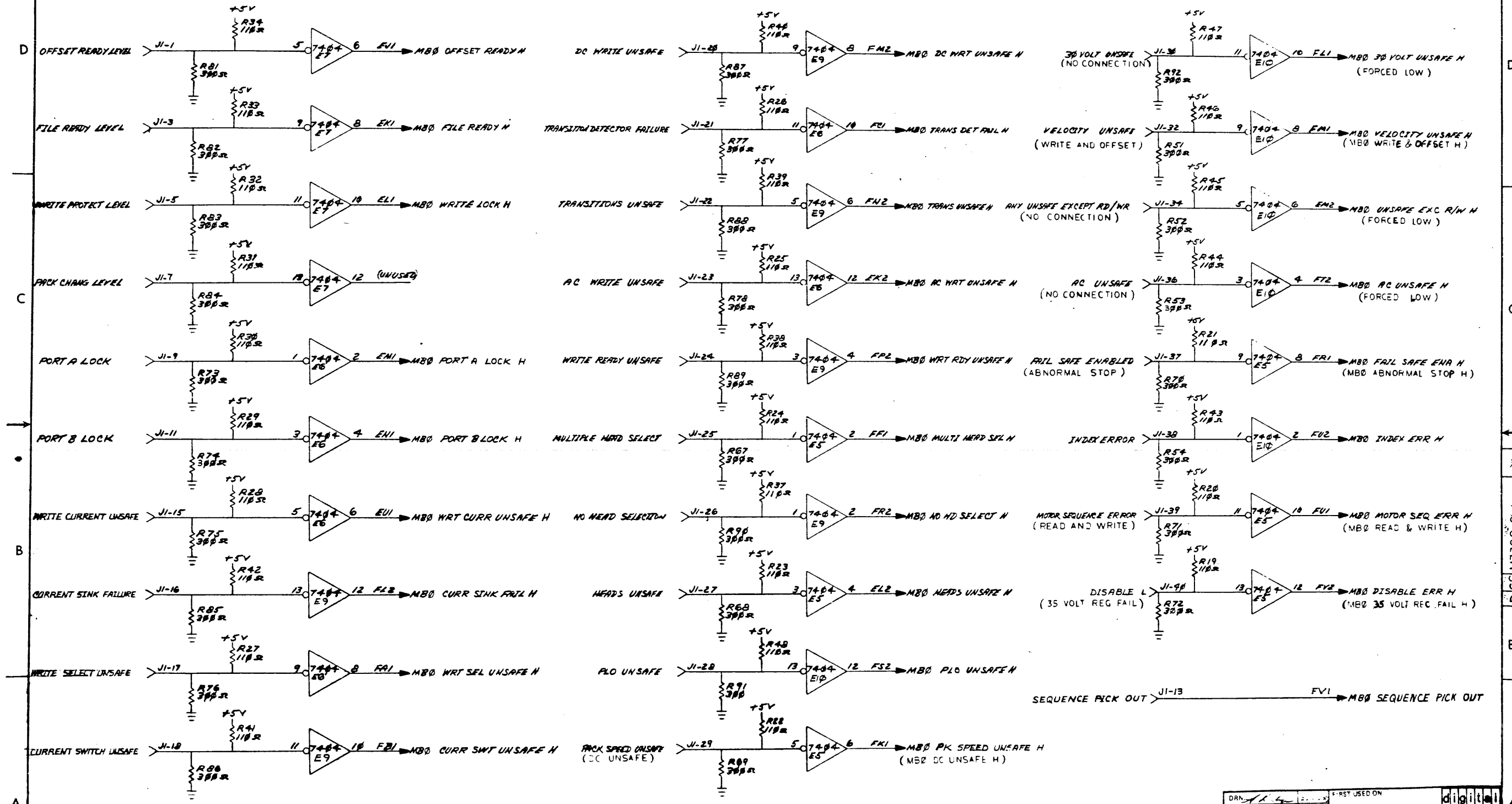
CHG	NO	REV

SIGNATURES		DATE	digital
DRN <i>[Signature]</i>		08-178	
CHK'D <i>[Signature]</i>		5/1/75	TITLE INTERFACE RECEIVERS (MIN DEVICE LEVEL)
ENG <i>[Signature]</i>		1/1/76	
PROD. <i>[Signature]</i>		5/16/75	
SCALE 2/3	SIZE CODE	NUMBER	REV
SHT. 1 OF 1	D	UA M7789-0-0	*
ETCH REV A FIRST USED ON			

DIGITAL EQUIPMENT CORPORATION MAYNARD, MASSACHUSETTS PARTS LIST					QUANTITY VARIATION															
MADE BY	T. Rocha	CHECKED	F. Carberry	SECTION																
DATE	20-Nov-75	DATE	5-Dec-75	1																
ENG	W. Sergeant	PROD		ISSUED SECT.																
DATE	19-Dec-75	DATE	10-Feb-75	1																
ITEM NO.	DWG NO./PART NO.	DESCRIPTION																		
1	D-CS-M7789-0-1	CIRCUIT SCHEMATIC			REF															
2	K-CO-M7789-0-4	X-Y COORDINATE HOLE LOCATION			REF															
3	D-AH-M7789-0-5	ASSY/DRILLING HOLE LAYOUT			REF															
4	B-MH-M7789-0-6	MODULE ECO HISTORY			REF															
5	5011768	ETCHED CIRCUIT BOARD			1															
6	1005306-00	CAP 6.8UF, 35V, 20%			2	C10	C11													
7	1001610-00	CAP .01UF, 50V, 20% AXIAL			10	C1	C9													
8	1301477-00	RES 82 OHM 1/4W 5%			8	R1-R4,	R6,	R7,	R8,	R49										
9	1311523-00	RES 110 OHM 1/4W 5%			46	R9-R48,	R5	R50,	R95-R98											
10	1301425-00	RES 300 OHM 1/4W 5%			46	R51-R92,	R99-R	102												
11	1300295-00	RES 330 OHM 1/4W 5%			1	R93														
12	1300365-00	RES 1K, 1/4W, 5%			1	R94														
13	1909686-00	IC 7404			7	E3-	E7,	E9	E10											
14	1910268-00	IC 75107			2	E1,	E2													
15	1909930-00	IC 7405			1	E8														
16	1209941-02	CONN 40 PIN RT ANGLE HDR			2	J1,	J2													
17	1209941-03	LEFT LATCH			2															
18	1209941-04	RIGHT LATCH			2															
19	9006732	EYELET			4															
20	9008337-06	HANDLE, FLIP CHIP MAGENTA			2															
TITLE		INTERFACE RECEIVERS (MINIMUM DEVICE LEVEL)		ASSY NO.	D-UA M7789-0-0		SIZE	A PL		NUMBER		M7789-0-0		REV	*		ECO NO.			
				SHEET	1 OF 1		DIST													

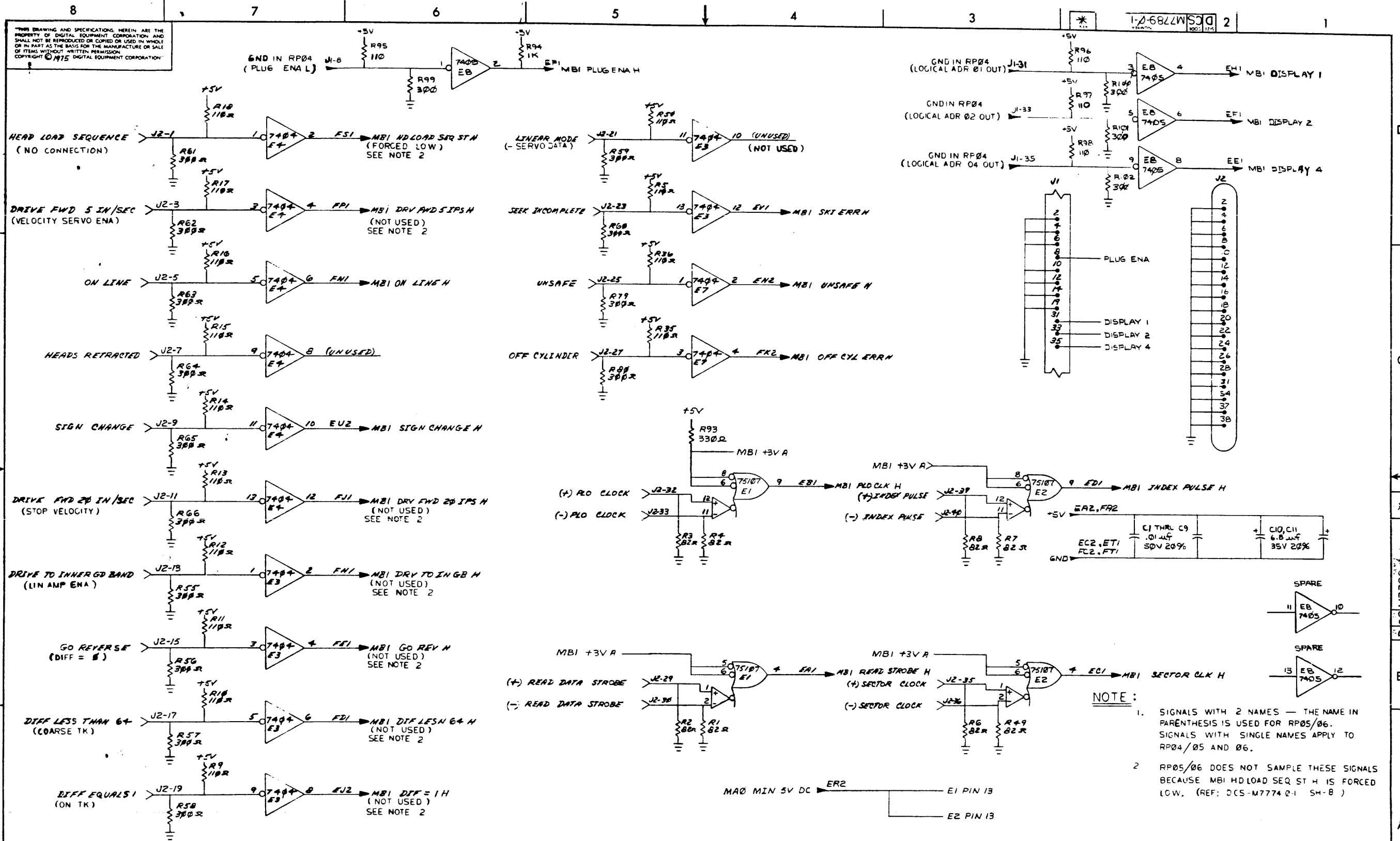
DEC FORM
DRA 110

THIS DRAWING AND SPECIFICATIONS HEREIN ARE THE PROPERTY OF DIGITAL EQUIPMENT CORPORATION AND SHALL NOT BE REPRODUCED OR COPIED OR USED IN WHOLE OR IN PART AS THE BASIS FOR THE MANUFACTURE OR SALE OF ITEMS WITHOUT WRITTEN PERMISSION. COPYRIGHT © 1975 DIGITAL EQUIPMENT CORPORATION.



CHK	CHANGE NO	REV

DRN	1-11-68	FIRST USED ON	digital
CHK'D	1-11-68	TITLE	INTERFACE RECEIVERS
ENG	1-11-68	PROJECT	MAGNETIC TAPE DRIVE
PROJ. ENG.	1-11-68	LEVEL	LEVEL (MBO)
PROD	1-11-68	SCALE	1 OF 2
NEXT HIGHER ASSY		SIZE CODE	D
		NUMBER	CS M7789-0-1
		DIST	



THIS DRAWING AND SPECIFICATIONS, HEREIN ARE THE PROPERTY OF DIGITAL EQUIPMENT CORPORATION AND SHALL NOT BE REPRODUCED OR COPIED OR USED IN WHOLE OR IN PART AS THE BASIS FOR THE MANUFACTURE OR SALE OF ITEMS WITHOUT WRITTEN PERMISSION. COPYRIGHT © 1975 DIGITAL EQUIPMENT CORPORATION.

1-2-68ZLWSD 2

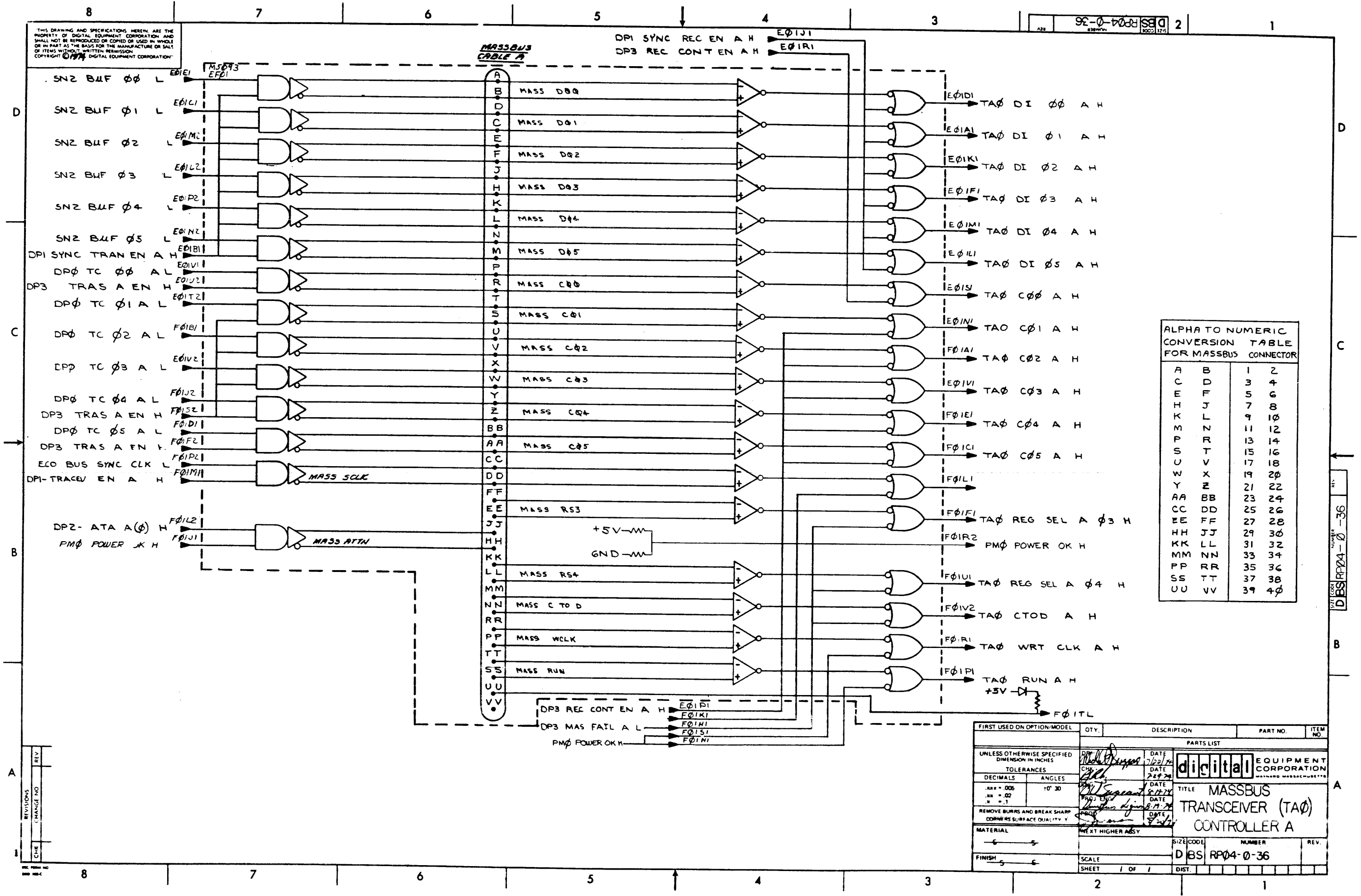
- NOTE:**
- SIGNALS WITH 2 NAMES — THE NAME IN PARENTHESES IS USED FOR RP05/06. SIGNALS WITH SINGLE NAMES APPLY TO RP04/05 AND 06.
 - RP05/06 DOES NOT SAMPLE THESE SIGNALS BECAUSE MBI HD LOAD SEQ ST H IS FORCED LOW. (REF: DCS-M7774-D-1 SH-B)

REVISIONS		
CHK	CHANGE NO	REV

TITLE INTERFACE RECEIVERS (MINIMUM DEVICE LEVEL) (MBI) DCS M7789-D-1
 SCALE SHEET 2 OF 2 DIST

THIS DRAWING AND SPECIFICATIONS HEREIN ARE THE PROPERTY OF DIGITAL EQUIPMENT CORPORATION AND SHALL NOT BE REPRODUCED OR COPIED OR USED IN WHOLE OR IN PART AS THE BASIS FOR THE MANUFACTURE OR SALE OF ITEMS WITHOUT WRITTEN PERMISSION. COPYRIGHT © 1974 DIGITAL EQUIPMENT CORPORATION.

92-0-36
 DES RP04-0-36
 2



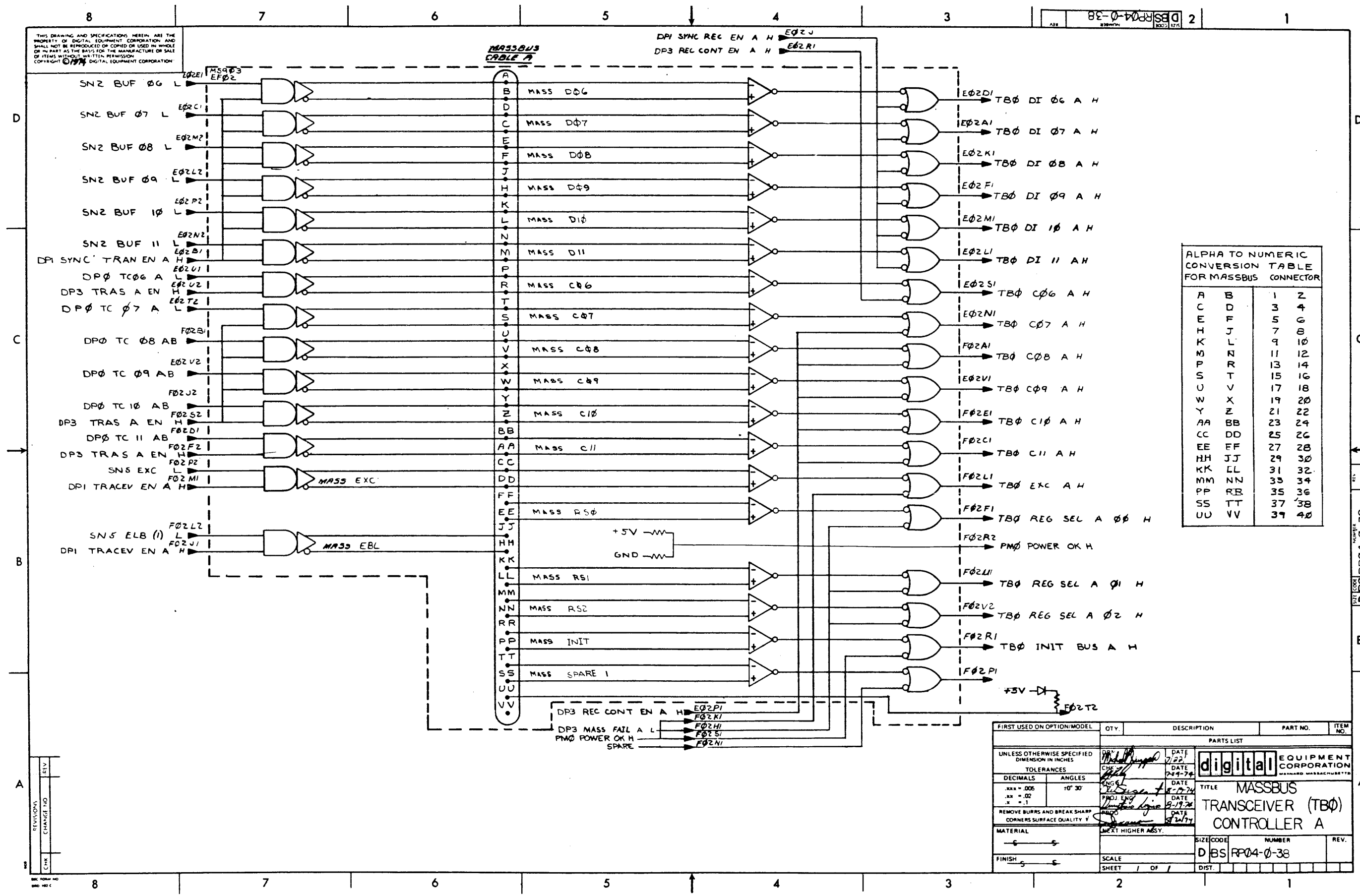
ALPHA TO NUMERIC
 CONVERSION TABLE
 FOR MASSBUS CONNECTOR

A	B	1	2
C	D	3	4
E	F	5	6
H	J	7	8
K	L	9	10
M	N	11	12
P	R	13	14
S	T	15	16
U	V	17	18
W	X	19	20
Y	Z	21	22
AA	BB	23	24
CC	DD	25	26
EE	FF	27	28
HH	JJ	29	30
KK	LL	31	32
MM	NN	33	34
PP	RR	35	36
SS	TT	37	38
UU	VV	39	40

FIRST USED ON OPTION/MODEL	QTY.	DESCRIPTION	PART NO.	ITEM NO.
UNLESS OTHERWISE SPECIFIED DIMENSION IN INCHES				
TOLERANCES				
DECIMALS	ANGLES	DATE		
.XXX = .005	° 30'	DATE	7/23/74	
.XX = .02		DATE	7/23/74	
.X = .1		DATE	7/23/74	
REMOVE BURRS AND BREAK SHARP CORNERS SURFACE QUALITY Y				
MATERIAL				
NEXT HIGHER ASSY				
FINISH				
SCALE				
SHEET 1 OF 1				
TITLE			SIZE CODE	NUMBER
MASSBUS TRANSCEIVER (TAØ) CONTROLLER A			DES	RP04-0-36
DIST.				REV.

DES RP04-0-36
 SHEET 1 OF 1

THIS DRAWING AND SPECIFICATIONS HEREIN ARE THE PROPERTY OF DIGITAL EQUIPMENT CORPORATION AND SHALL NOT BE REPRODUCED OR COPIED OR USED IN WHOLE OR IN PART AS THE BASIS FOR THE MANUFACTURE OR SALE OF ITEMS WITHOUT WRITTEN PERMISSION. COPYRIGHT © 1974 DIGITAL EQUIPMENT CORPORATION.



ALPHA TO NUMERIC CONVERSION TABLE FOR MASSBUS CONNECTOR

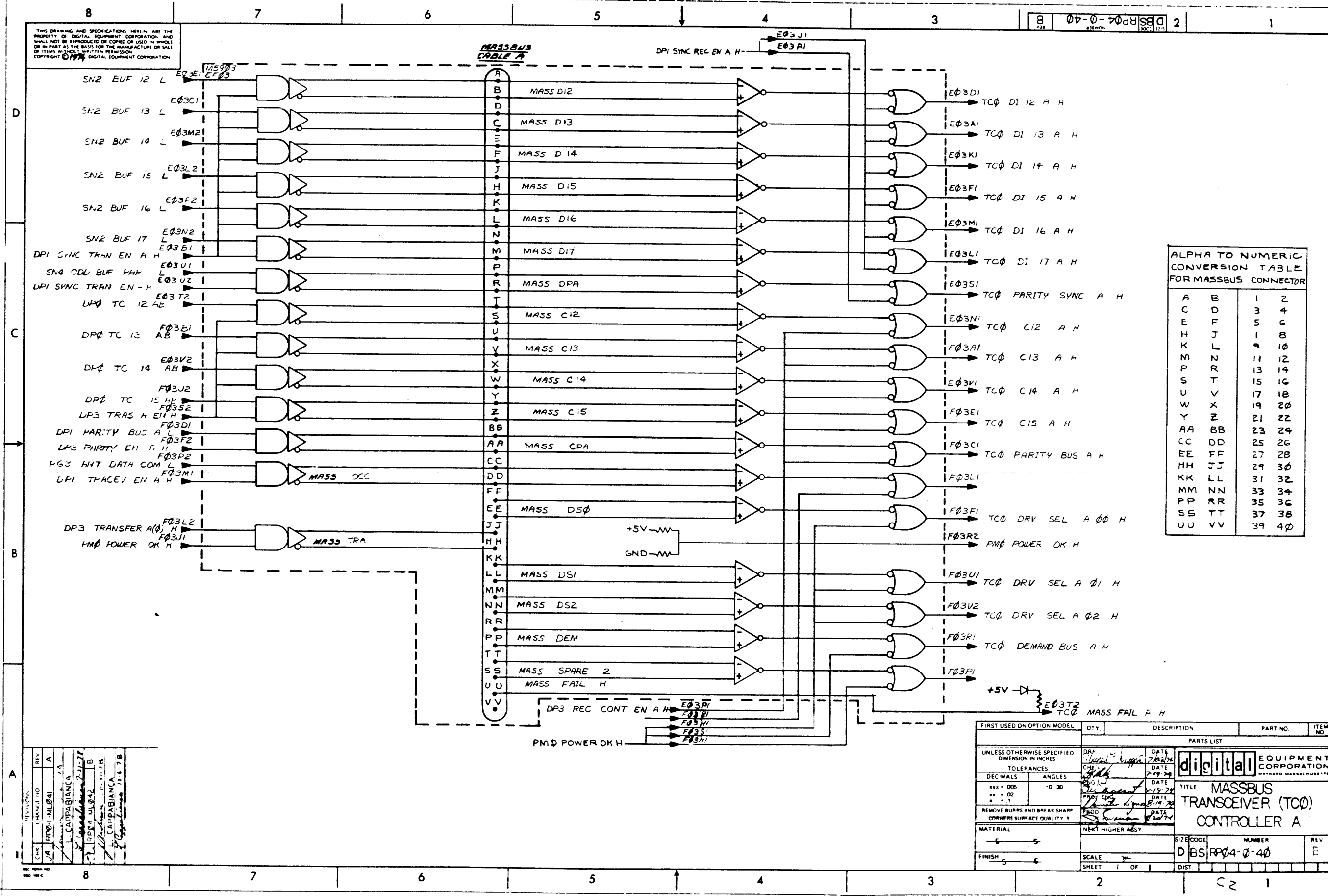
A	B	1	2
C	D	3	4
E	F	5	6
H	J	7	8
K	L	9	10
M	N	11	12
P	R	13	14
S	T	15	16
U	V	17	18
W	X	19	20
Y	Z	21	22
AA	BB	23	24
CC	DD	25	26
EE	FF	27	28
HH	JJ	29	30
KK	LL	31	32
MM	NN	33	34
PP	RR	35	36
SS	TT	37	38
UU	VV	39	40

FIRST USED ON OPTION/MODEL	QTY.	DESCRIPTION	PART NO.	ITEM NO.
UNLESS OTHERWISE SPECIFIED DIMENSION IN INCHES				
TOLERANCES				
DECIMALS	ANGLES	DATE		
.XXX = .005	:0° 30'	DATE	PARTS LIST	
.XX = .02		DATE	TITLE	
.X = .1		DATE	NUMBER	
REMOVE BURRS AND BREAK SHARP CORNERS SURFACE QUALITY Y				
MATERIAL				
FINISH				
SCALE				
SHEET 1 OF 1				
TITLE			REV.	
MASSBUS TRANSCEIVER (TBφ) CONTROLLER A			DBS RP04-0-38	
DIST.				

DBS RP04-0-38

THIS DRAWING AND SPECIFICATIONS HEREIN ARE THE PROPERTY OF DIGITAL EQUIPMENT CORPORATION AND SHALL NOT BE REPRODUCED OR COPIED OR USED IN WHOLE OR IN PART AS THE BASIS FOR THE MANUFACTURE OR SALE OF ITEMS WITHOUT WRITTEN PERMISSION. COPYRIGHT © 1974 DIGITAL EQUIPMENT CORPORATION.

DBS RP04-0-40



ALPHA TO NUMERIC CONVERSION TABLE FOR MASSBUS CONNECTOR

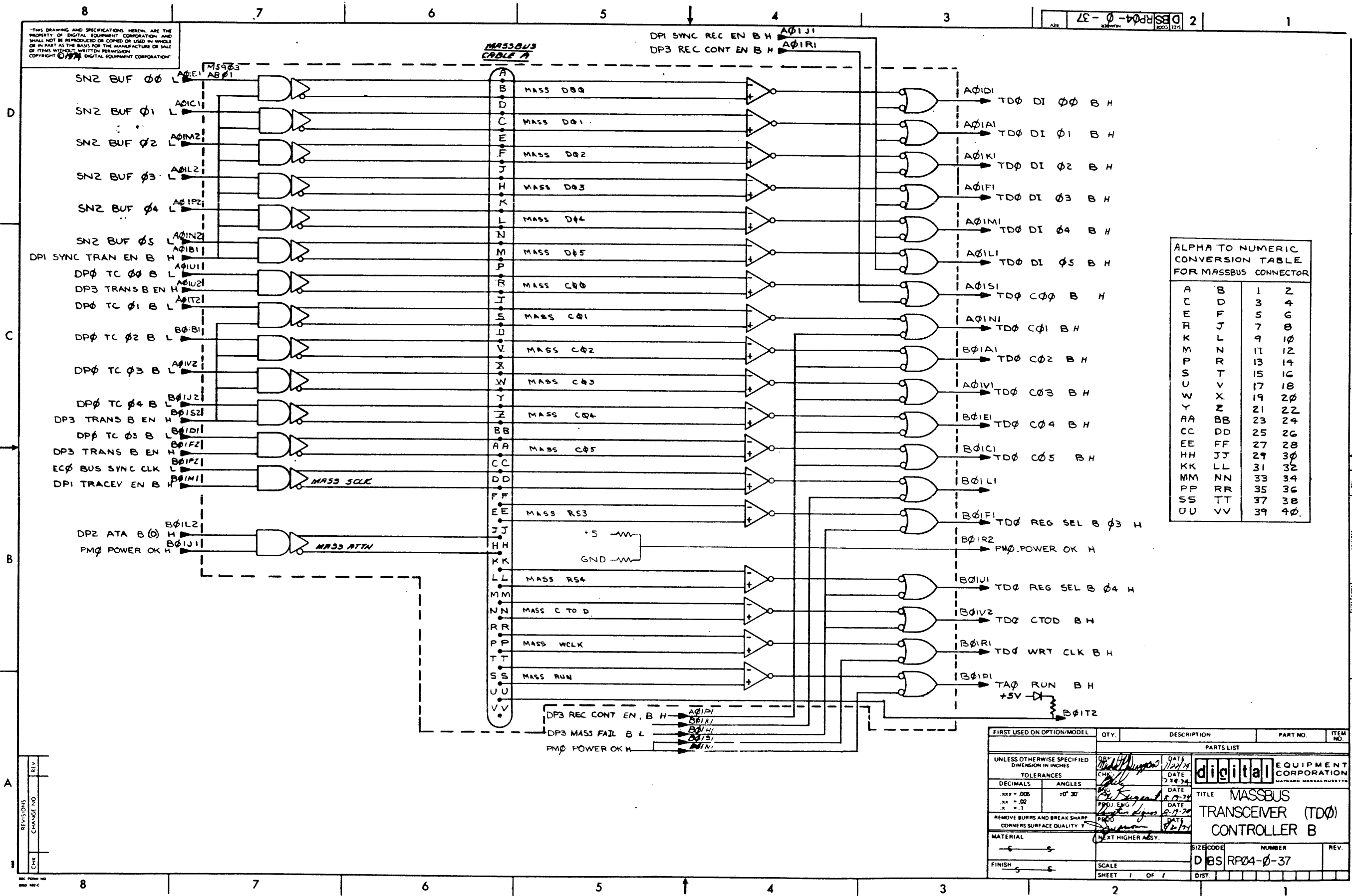
A	B	1	2
C	D	3	4
E	F	5	6
H	J	7	8
K	L	9	10
M	N	11	12
P	R	13	14
S	T	15	16
U	V	17	18
W	X	19	20
Y	Z	21	22
AA	BB	23	24
CC	DD	25	26
EE	FF	27	28
HH	JJ	29	30
KK	LL	31	32
MM	NN	33	34
PP	RR	35	36
SS	TT	37	38
UU	VV	39	40

REV	DATE	BY	CHKD
1	7-29-74	L. CAPPABIANCA	J.A.
2	8-15-74	L. CAPPABIANCA	J.A.
3	8-15-74	L. CAPPABIANCA	J.A.
4	8-15-74	L. CAPPABIANCA	J.A.
5	8-15-74	L. CAPPABIANCA	J.A.

FIRST USED ON OPTION MODEL	QTY.	DESCRIPTION	PART NO.	ITEM NO.
UNLESS OTHERWISE SPECIFIED DIMENSION IN INCHES				
TOLERANCES				
DECIMALS	ANGLES			
XXX = .005	° 30			
XX = .02				
X = .1				
REMOVE BURRS AND BREAK SHARP CORNERS SURFACE QUALITY Y				
MATERIAL				
FINISH				
SCALE				
SHEET 1 OF 1				

digital EQUIPMENT CORPORATION
 TITLE: MASSBUS TRANSCEIVER (TC0) CONTROLLER A
 SIZE CODE: DBS RP04-0-40
 NUMBER: E
 REV: E

THIS DRAWING AND SPECIFICATIONS HEREIN ARE THE PROPERTY OF DIGITAL EQUIPMENT CORPORATION AND SHALL NOT BE REPRODUCED OR COPIED OR USED IN WHOLE OR IN PART AS THE BASIS FOR THE MANUFACTURE OR SALE OF ITEMS WITHOUT WRITTEN PERMISSION. COPYRIGHT © 1974 DIGITAL EQUIPMENT CORPORATION.

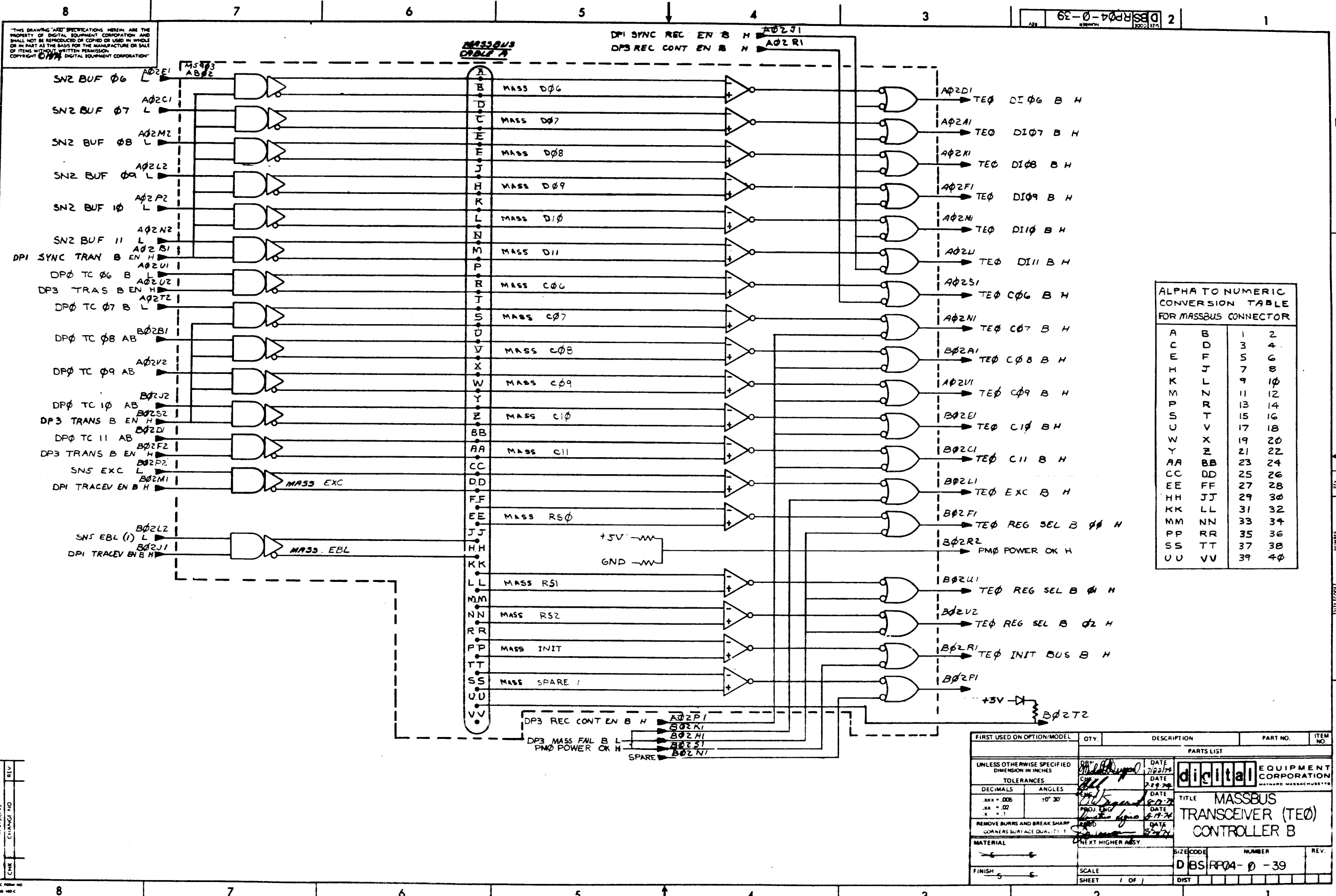


ALPHA TO NUMERIC CONVERSION TABLE FOR MASSBUS CONNECTOR

A	B	1	Z
C	D	3	4
E	F	5	6
H	J	7	8
K	L	9	10
M	N	11	12
P	R	13	14
S	T	15	16
U	V	17	18
W	X	19	20
Y	Z	21	22
AA	BB	23	24
CC	DD	25	26
EE	FF	27	28
HH	JJ	29	30
KK	LL	31	32
MM	NN	33	34
PP	RR	35	36
SS	TT	37	38
UU	VV	39	40

FIRST USED ON OPTION/MODEL	QTY.	DESCRIPTION	PART NO.	ITEM NO.
PARTS LIST				
UNLESS OTHERWISE SPECIFIED DIMENSION IN INCHES		DATE 1/27/75	digital EQUIPMENT CORPORATION	
TOLERANCES		DATE 2/10/74	MAYFIELD MASSACHUSETTS	
DECIMALS	ANGLES	DATE 2/7/74	TITLE MASSBUS	
.xxx = .005	±0° 30'	DATE 2/7/74	TRANSCIVER (TD0)	
.xx = .02		DATE 2/7/74	CONTROLLER B	
.x = .1		DATE 2/2/74	SIZE CODE NUMBER REV.	
REMOVE BURRS AND BREAK SHARP CORNERS SURFACE QUALITY 1		DATE 2/2/74	D BS RP04-0-37	
MATERIAL	FINISH	SCALE	SHEET 1 OF 1	DIST.

D BS RP04-0-37



THIS DRAWING AND SPECIFICATIONS HEREIN ARE THE PROPERTY OF DIGITAL EQUIPMENT CORPORATION AND SHALL NOT BE REPRODUCED OR COPIED OR USED IN WHOLE OR IN PART AS THE BASIS FOR THE MANUFACTURE OR SALE OF ITEMS WITHOUT WRITTEN PERMISSION. COPYRIGHT © 1974 DIGITAL EQUIPMENT CORPORATION

D B S I R P 0 4 - 0 - 3 9

ALPHA TO NUMERIC CONVERSION TABLE FOR MASSEBUS CONNECTOR

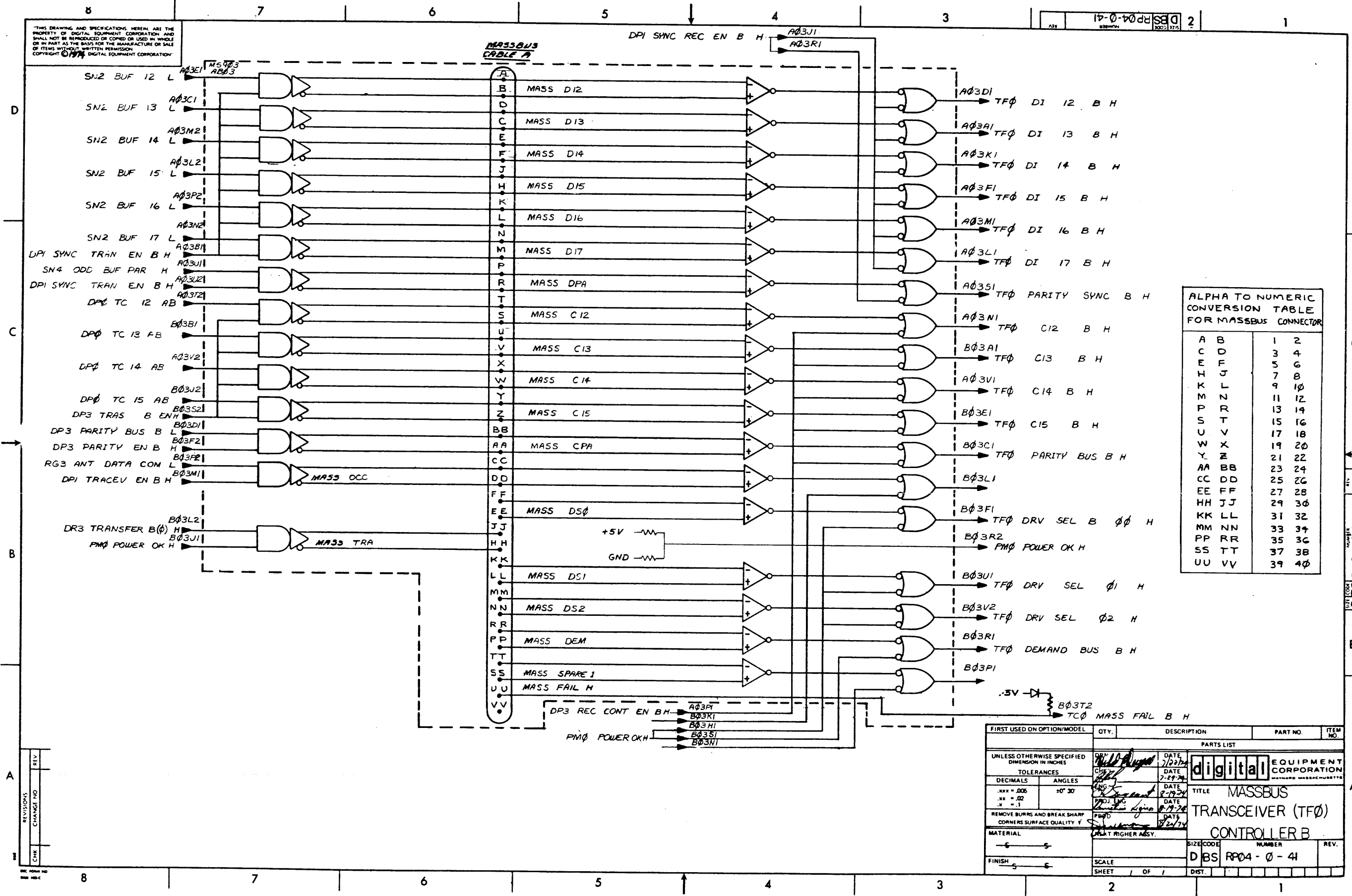
A	B	1	2
C	D	3	4
E	F	5	6
H	J	7	8
K	L	9	10
M	N	11	12
P	R	13	14
S	T	15	16
U	V	17	18
W	X	19	20
Y	Z	21	22
AA	BB	23	24
CC	DD	25	26
EE	FF	27	28
HH	JJ	29	30
KK	LL	31	32
MM	NN	33	34
PP	RR	35	36
SS	TT	37	38
UU	VV	39	40

D B S I R P 0 4 - 0 - 3 9

FIRST USED ON OPTION/MODEL	QTY.	DESCRIPTION	PART NO.	ITEM NO.
UNLESS OTHERWISE SPECIFIED DIMENSION IN INCHES				
TOLERANCES				
DECIMALS	ANGLES	DATE		
XXX - .005	+0° 30'	DATE	7/22/74	
XX - .02		DATE	2-29-74	
X - .1		DATE	6-2-74	
REMOVE BURRS AND BREAK SHARP CORNERS SURFACE QUALITY 1				
MATERIAL				
NEXT HIGHER ASSY.				
FINISH				
SCALE				
SHEET 1 OF 1				
TITLE			SIZE/CODE	NUMBER
MASSEBUS TRANSCIVER (TEO) CONTROLLER B			D B S I R P 0 4 - 0 - 3 9	REV.

THIS DRAWING AND SPECIFICATIONS HEREIN ARE THE PROPERTY OF DIGITAL EQUIPMENT CORPORATION AND SHALL NOT BE REPRODUCED OR COPIED OR USED IN WHOLE OR IN PART AS THE BASIS FOR THE MANUFACTURE OR SALE OF ITEMS WITHOUT WRITTEN PERMISSION. COPYRIGHT © 1977 DIGITAL EQUIPMENT CORPORATION.

17-0-41 D B S R P 04 - 0 - 41 2



ALPHA TO NUMERIC CONVERSION TABLE FOR MASSBUS CONNECTOR

A	B	1	2
C	D	3	4
E	F	5	6
H	J	7	8
K	L	9	10
M	N	11	12
P	R	13	14
S	T	15	16
U	V	17	18
W	X	19	20
Y	Z	21	22
AA	BB	23	24
CC	DD	25	26
EE	FF	27	28
HH	JJ	29	30
KK	LL	31	32
MM	NN	33	34
PP	RR	35	36
SS	TT	37	38
UU	VV	39	40

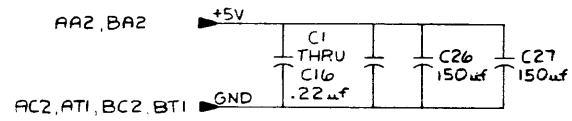
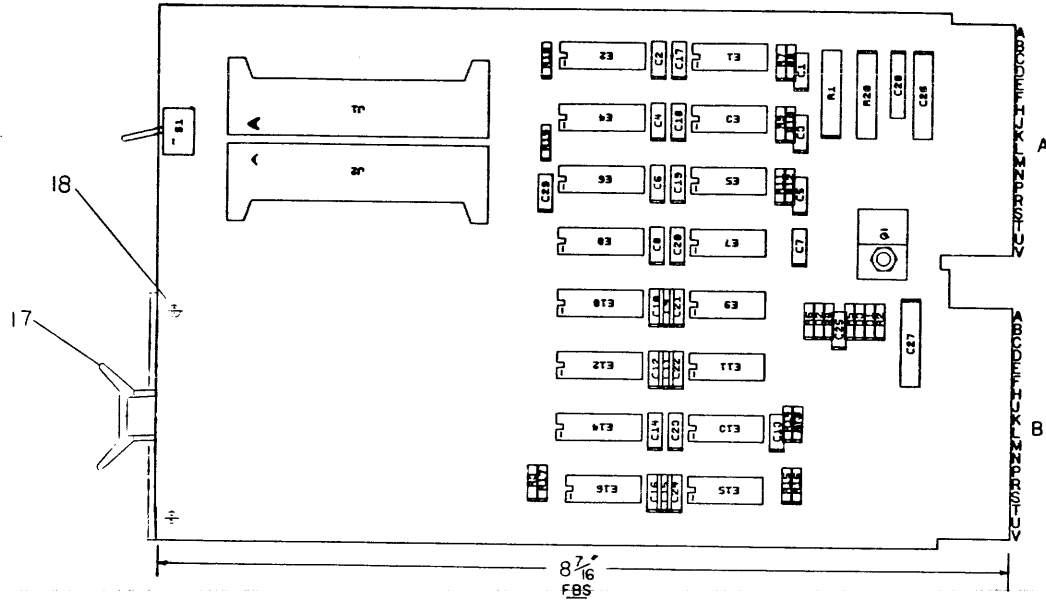
FIRST USED ON OPTION/MODEL	QTY.	DESCRIPTION	PART NO.	ITEM NO.
PARTS LIST				
UNLESS OTHERWISE SPECIFIED DIMENSION IN INCHES	DATE 7/22/74	digital EQUIPMENT CORPORATION MAYNARD MASSACHUSETTS		
TOLERANCES	DATE 7-29-74			
DECIMALS .005	DATE 8-19-74	TITLE MASSBUS TRANSCEIVER (TFØ) CONTROLLER B		
ANGLES ±0° 30'	DATE 8-24-74			
REMOVE BURRS AND BREAK SHARP CORNERS SURFACE QUALITY Y	DATE 8-24-74	MATERIAL PLAT HIGHER ASSY.		
FINISH	SCALE	SIZE CODE	NUMBER	REV.
	SHEET 1 OF 1	D B S R P 04 - 0 - 41		

REV.	
CHG.	
NO.	

D B S R P 04 - 0 - 41

This drawing and specifications, herein, are the property of Digital Equipment Corporation and shall not be reproduced or copied or used in whole or in part as the basis for the manufacture or sale of items without written permission. COPYRIGHT © 1973
DIGITAL EQUIP CORP.

NOTES:



OFF SHEET PARTS LIST EXISTS
SEE K-PL-M5903-0-DBP

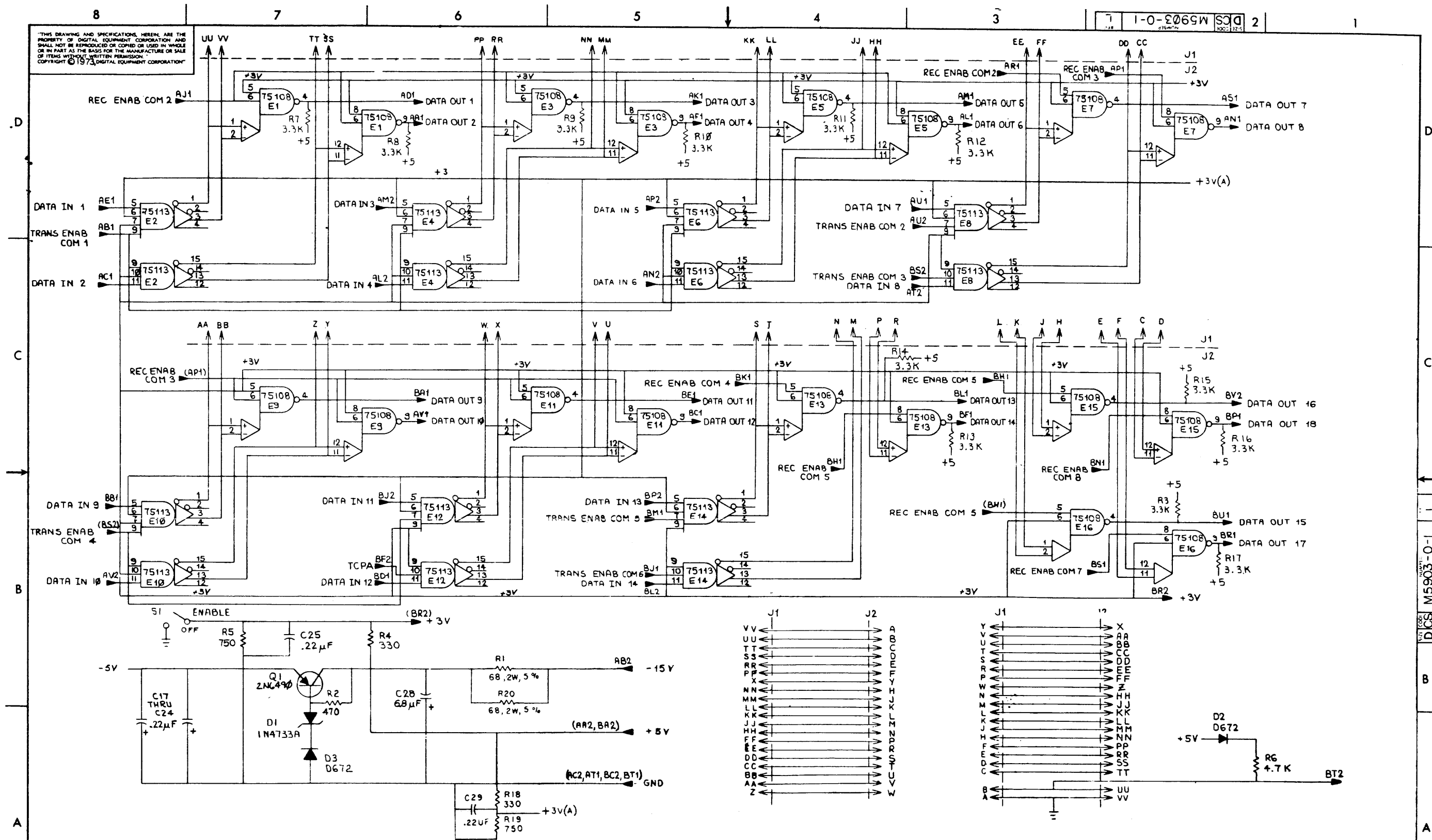
IC TYPE	-5V	GND	+5V
DEC 75107B	13	7	14
DEC 75108B	13	7	14
DEC 75113	—	8	16
GND AND 5V ARE USUALLY PIN 7 AND 14 RESPECTIVELY. EXCEPTIONS ARE STATED ABOVE.			
IC PIN LOCATIONS			

REVISIONS
 1. ORIGINAL D
 2. CHANGE NO. REV
 3. POTTER 1/2/74
 4. POTTER 1/2/74
 5. POTTER 1/2/74
 6. POTTER 1/2/74
 7. POTTER 1/2/74
 8. POTTER 1/2/74
 9. POTTER 1/2/74
 10. POTTER 1/2/74
 11. POTTER 1/2/74
 12. POTTER 1/2/74
 13. POTTER 1/2/74
 14. POTTER 1/2/74
 15. POTTER 1/2/74
 16. POTTER 1/2/74
 17. POTTER 1/2/74
 18. POTTER 1/2/74
 19. POTTER 1/2/74
 20. POTTER 1/2/74
 21. POTTER 1/2/74
 22. POTTER 1/2/74
 23. POTTER 1/2/74
 24. POTTER 1/2/74
 25. POTTER 1/2/74
 26. POTTER 1/2/74
 27. POTTER 1/2/74
 28. POTTER 1/2/74
 29. POTTER 1/2/74
 30. POTTER 1/2/74
 31. POTTER 1/2/74
 32. POTTER 1/2/74
 33. POTTER 1/2/74
 34. POTTER 1/2/74
 35. POTTER 1/2/74
 36. POTTER 1/2/74
 37. POTTER 1/2/74
 38. POTTER 1/2/74
 39. POTTER 1/2/74
 40. POTTER 1/2/74
 41. POTTER 1/2/74
 42. POTTER 1/2/74
 43. POTTER 1/2/74
 44. POTTER 1/2/74
 45. POTTER 1/2/74
 46. POTTER 1/2/74
 47. POTTER 1/2/74
 48. POTTER 1/2/74
 49. POTTER 1/2/74
 50. POTTER 1/2/74
 51. POTTER 1/2/74
 52. POTTER 1/2/74
 53. POTTER 1/2/74
 54. POTTER 1/2/74
 55. POTTER 1/2/74
 56. POTTER 1/2/74
 57. POTTER 1/2/74
 58. POTTER 1/2/74
 59. POTTER 1/2/74
 60. POTTER 1/2/74
 61. POTTER 1/2/74
 62. POTTER 1/2/74
 63. POTTER 1/2/74
 64. POTTER 1/2/74
 65. POTTER 1/2/74
 66. POTTER 1/2/74
 67. POTTER 1/2/74
 68. POTTER 1/2/74
 69. POTTER 1/2/74
 70. POTTER 1/2/74
 71. POTTER 1/2/74
 72. POTTER 1/2/74
 73. POTTER 1/2/74
 74. POTTER 1/2/74
 75. POTTER 1/2/74
 76. POTTER 1/2/74
 77. POTTER 1/2/74
 78. POTTER 1/2/74
 79. POTTER 1/2/74
 80. POTTER 1/2/74
 81. POTTER 1/2/74
 82. POTTER 1/2/74
 83. POTTER 1/2/74
 84. POTTER 1/2/74
 85. POTTER 1/2/74
 86. POTTER 1/2/74
 87. POTTER 1/2/74
 88. POTTER 1/2/74
 89. POTTER 1/2/74
 90. POTTER 1/2/74
 91. POTTER 1/2/74
 92. POTTER 1/2/74
 93. POTTER 1/2/74
 94. POTTER 1/2/74
 95. POTTER 1/2/74
 96. POTTER 1/2/74
 97. POTTER 1/2/74
 98. POTTER 1/2/74
 99. POTTER 1/2/74
 100. POTTER 1/2/74

QTY	REF DESIGNATION	DESCRIPTION	PART NO.	ITEM NO.																											
	RH11	ETCH BOARD REV H																													
PARTS LIST																															
<table border="1"> <tr> <td>DATE</td> <td>8/3/73</td> <td rowspan="4"> EQUIPMENT CORPORATION MAYNARD MASSACHUSETTS </td> </tr> <tr> <td>DATE</td> <td>8/2/73</td> </tr> <tr> <td>DATE</td> <td>8/1/73</td> </tr> <tr> <td>DATE</td> <td>7/21/73</td> </tr> <tr> <td colspan="2">TITLE</td> <td>DRIVE TRANSCEIVER</td> </tr> <tr> <td colspan="2">NEXT HIGHER ASSY</td> <td></td> </tr> <tr> <td>SIZE CODE</td> <td>DCS</td> <td>NUMBER</td> <td>M5903-0-1</td> <td>REV.</td> <td>L</td> </tr> <tr> <td>SCALE</td> <td>NONE</td> <td>SHEET</td> <td>OF 2</td> <td>DIST</td> <td></td> </tr> </table>					DATE	8/3/73	EQUIPMENT CORPORATION MAYNARD MASSACHUSETTS	DATE	8/2/73	DATE	8/1/73	DATE	7/21/73	TITLE		DRIVE TRANSCEIVER	NEXT HIGHER ASSY			SIZE CODE	DCS	NUMBER	M5903-0-1	REV.	L	SCALE	NONE	SHEET	OF 2	DIST	
DATE	8/3/73	EQUIPMENT CORPORATION MAYNARD MASSACHUSETTS																													
DATE	8/2/73																														
DATE	8/1/73																														
DATE	7/21/73																														
TITLE		DRIVE TRANSCEIVER																													
NEXT HIGHER ASSY																															
SIZE CODE	DCS	NUMBER	M5903-0-1	REV.	L																										
SCALE	NONE	SHEET	OF 2	DIST																											
SEMICONDUCTOR CONVERSION CHART																															
DEC NO	EIA NO	DEC NO	EIA NO																												

NUMBER
 DCS M5903-0-1 L

THIS DRAWING AND SPECIFICATIONS HEREIN ARE THE PROPERTY OF DIGITAL EQUIPMENT CORPORATION AND SHALL NOT BE REPRODUCED OR COPIED OR USED IN WHOLE OR IN PART AS THE BASIS FOR THE MANUFACTURE OR SALE OF ITEMS WITHOUT WRITTEN PERMISSION.
 COPYRIGHT © 1973 DIGITAL EQUIPMENT CORPORATION

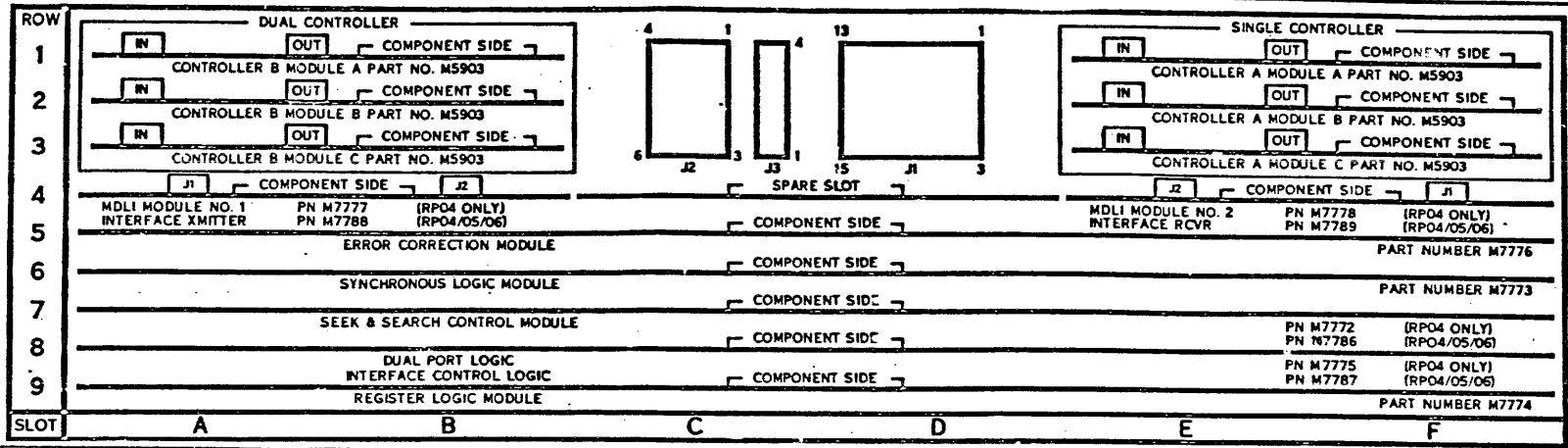


REVISIONS		
CHK	CHANGE NO	REV

TITLE	DRIVE TRANSCEIVER	SIZE CODE	DCS	NUMBER	M5903-0-1	REV.	L
SCALE	NONE	SHEET	2	OF	2	DIST.	

DCS M5903-0-1

"THIS DRAWING AND SPECIFICATIONS, HEREIN, ARE THE PROPERTY OF DIGITAL EQUIPMENT CORPORATION AND SHALL NOT BE REPRODUCED OR COPIED OR USED IN WHOLE OR IN PART AS THE BASIS FOR THE MANUFACTURE OR SALE OF ITEMS WITHOUT WRITTEN PERMISSION. COPYRIGHT © DIGITAL EQUIPMENT CORPORATION"



MODULE	USE IN RP04	USE IN RP05	USE IN RP06	REMARKS
M7772	IF CS Rev D or higher M7773 must be CS Rev C2, E or higher	No	No	For RP05/RP06, only M7786 may be used
M7773	Yes, see restriction on M7772	Must be CS Rev C2, E or higher	Must be CS Rev C2, E or higher	
M7774	Yes	Yes	Yes	
M7775	Yes	No	No	For RP05/RP06, only M7787 may be used
M7776	Yes	CS Rev C or higher only	CS Rev C or higher only	JUMPER CUT REQUIRED FOR DRIVE TYPE - REF D-CS-M7776-0-1
M7777	Yes	No	No	For RP05/RP06, only M7788 may be used
M7778	Yes	No	No	For RP05/RP06, only M7789 may be used
M7786	Yes	Yes	Yes	JUMPER CUT REQ'D FOR SINGLE DENSITY - REF D-CS-M7786-0-1
M7787	Yes	Yes	Yes	SWITCHES MUST BE OPEN FOR RP05/06 DRV ADR-REF D-CS-M7787-0-1
M7788	Yes	Yes	Yes	
M7789	Yes	Yes	Yes	
M5903	Yes	Yes	Yes	

REV.	
CHANGE NO.	
CHK	

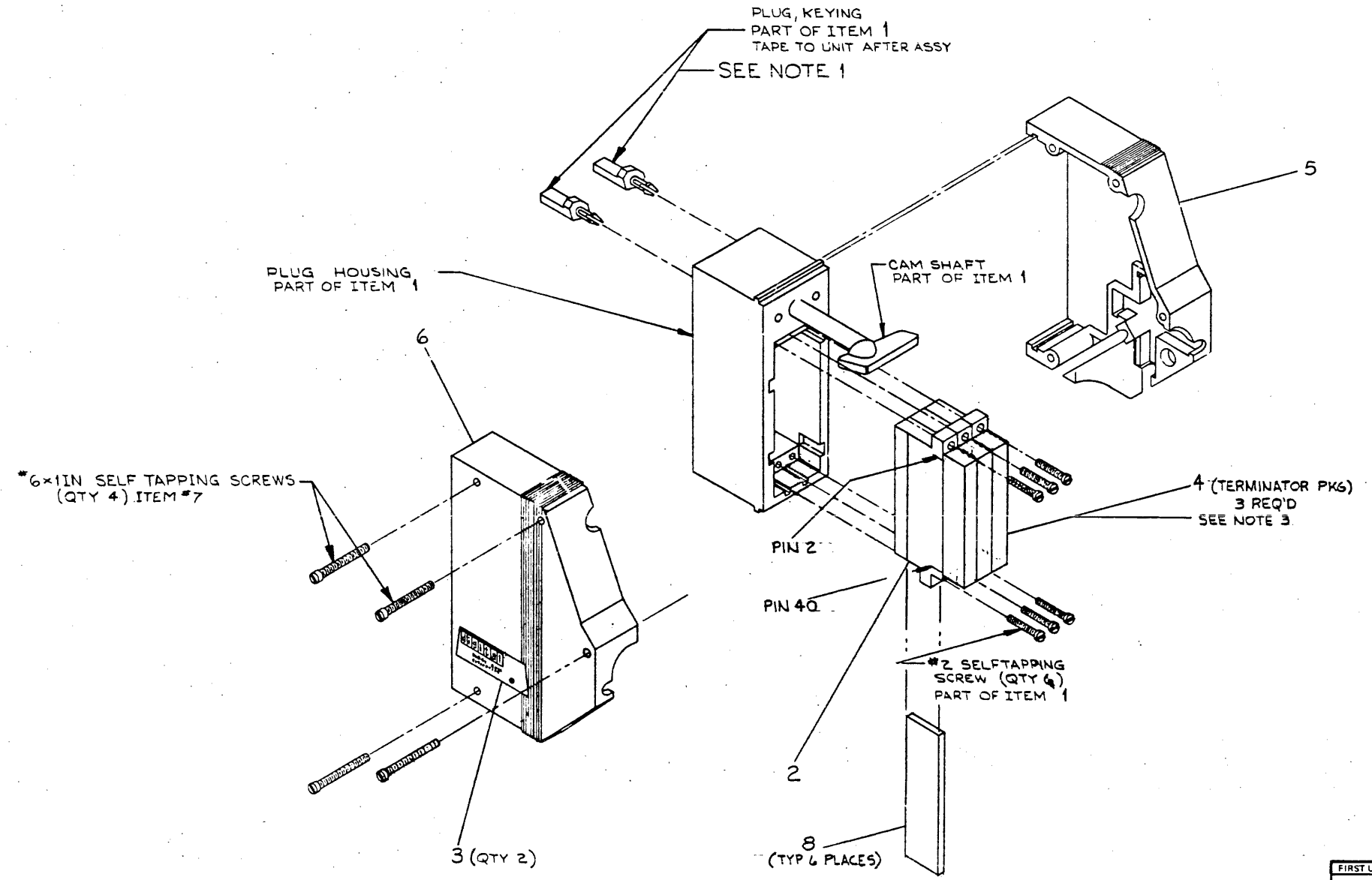
QTY.	DESCRIPTION	PART NO.	ITEM NO.
PARTS LIST			
DRN.	DATE	digital EQUIPMENT CORPORATION MAYNARD MASSACHUSETTS TITLE MODULE UTILIZATION AND SUBSTITUTION GUIDE RP04/ RP05/ RP06	
CHK'D.	DATE		
ENG.	DATE		
PROJ. ENG.	DATE		
PROD.	DATE		
NEXT HIGHER ASSY.			
B-TC-RP05-0-3	SIZE CODE	NUMBER	REV.
SCALE NONE	C MU	RP05-0-4	
SHEET 1 OF 1	DIST.		

REV. 4
NUMBER RP05-0-4
SIZE CODE C MU

This drawing and specifications, herein, are the property of Digital Equipment Corporation and shall not be reproduced or copied or used in whole or in part in the design for the manufacture or sale of items without written permission.

CCPYRIGHT © 1974 DIGITAL EQUIPMENT CORP.

- NOTES:**
1. PLUG KEYING, PLUG HOUSING, CAM SHAFT & MOUNTING HARDWARE ARE PART OF ITEM 1 (PLUG HOUSING & CAMSHAFT KIT).
 2. CUT JUMPER W2 ON N870 TERMINATOR MODULES.
 3. PRIOR TO ASSY OF ITEM 4 TO ITEM 2, CUT OFF LEAD AT PIN 39. CUT FLUSH WITH TERMINATOR BODY.



QTY.	DESCRIPTION	PART NO.	ITEM NO.
6	COVER, CONTACT	1211591-11	B
4	SELF THREAD SCREW #x1	1211591-18	7
1	STRAIN RELIEF HOUSING R. H.	1211591-13	6
1	STRAIN RELIEF HOUSING L. H.	1211591-14	5
3	MASS BUS TERMINATOR	1313242	4
2	DECAL	A-DC-7412208-00	3
3	PLUG ASSY	1211591-07	2
1	PLUG HOUSING & CAM SHAFT	1211591-01	1

FIRST USED ON OPTION/MODEL		PARTS LIST	
RP04			
UNLESS OTHERWISE SPECIFIED DIMENSION IN INCHES TOLERANCES	DRAWN T. Quinn DATE 5-29-74	 DIGITAL EQUIPMENT CORPORATION MAYNARD MASSACHUSETTS	
DECIMALS .005	CHKD. S. Quinn DATE 8/27/74		
ANGLES 10° 30'	ENG. J. Quinn DATE 8/26/74		
REMOVE BURRS AND BREAK SHARP CORNERS SURFACE QUALITY	PROD. DATE 8/26/74		
MATERIAL	NEXT HIGHER ASSY.	TITLE	TERMINATOR PACK ASSY
SEE PARTS LIST	E-UA-RP04-φ-φ	SIZE CODE	DAD7009938-0-0
FINISH	SCALE	NUMBER	REV. C
	SHEET 1 OF 1	DIST.	

REV	REVISIONS
A	CHANGE NO. 7009938-00001
B	7009938-00002
C	7009938-00003
D	7009938-00004

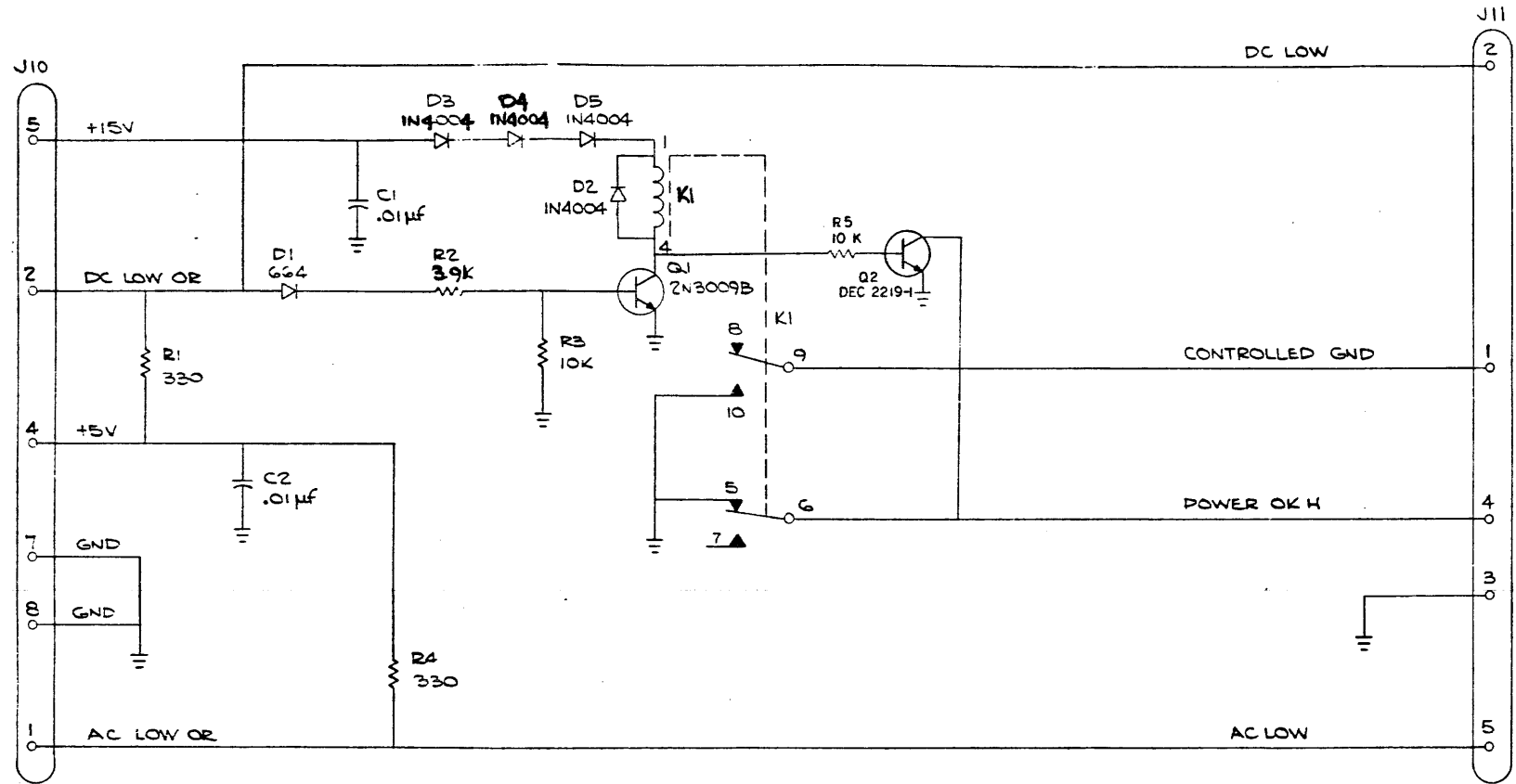
REVISIONS

DAD 7009938-0-0

A

THIS DRAWING AND SPECIFICATIONS HEREIN ARE THE PROPERTY OF DIGITAL EQUIPMENT CORPORATION AND SHALL NOT BE REPRODUCED OR COPIED OR USED IN WHOLE OR IN PART AS THE BASIS FOR THE MANUFACTURE OR SALE OF ITEMS WITHOUT WRITTEN PERMISSION. COPYRIGHT © 1975, DIGITAL EQUIPMENT CORPORATION.

D/CS 5410817-0-1 2



REVISIONS		
CHK	CHANGE NO	REV

POWER MONITOR		D/CS	5410817-0-1	C
SCALE	SHEET 2 OF 2	DIST.		

D/CS 5410817-0-1 C

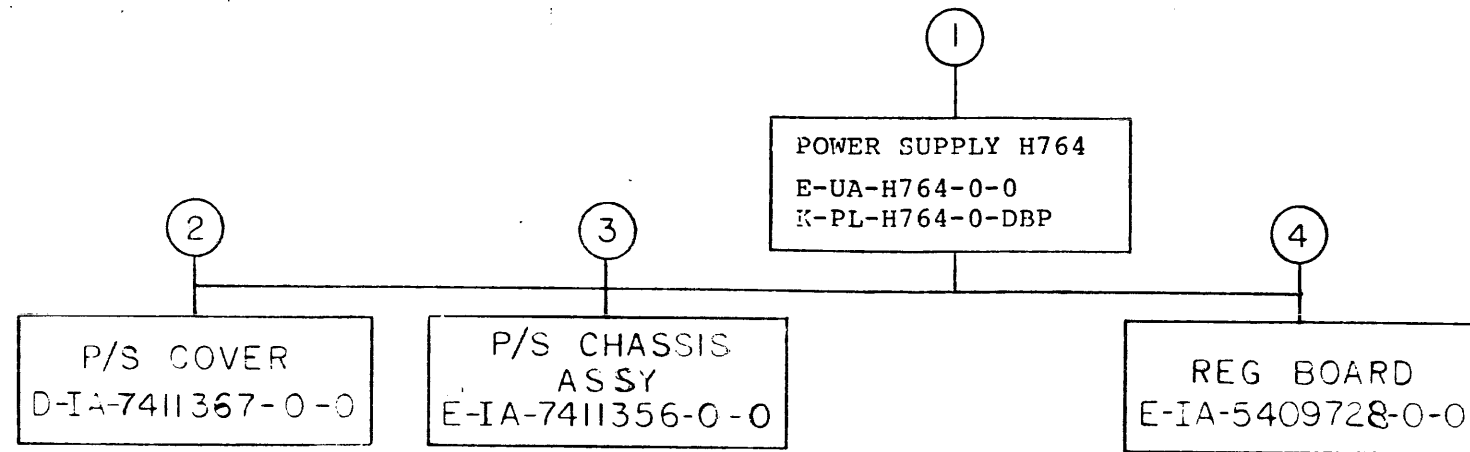
This drawing and specifications, herein, are the property of Digital Equipment Corporation and shall not be reproduced or copied or used in whole or in part as the basis for the manufacture or sale of items without written permission.

DRAWING NUMBER	INIT REL		AUTOMATIC WIRE TESTER (AWT) REVISION STATUS												REV. E				
	T	I	B	C	D	D													
K-WL-RP04-0-WL	A		B	B	C	C													
D-AD-7009623-0-0	-	-		A	A	B													
D-CS-5410940-0-1	C		C	C	C	C													

SIZE CODE AWT NUMBER 7009623-0 REV. E

REVISIONS		REV.
CHK	CHANGE NO.	
-	RP04-00004	B
-	ORIGINATED	
-	RP04-00018	C
HPH	RP04-00025	D
HP	RP04-00030	E

DRN. <i>J. Carter</i>	DATE 8-14-79	digital	EQUIPMENT CORPORATION MAYNARD, MASSACHUSETTS	
CHK'D. <i>J. Hill</i>	DATE 8-15-79			
ENG. <i>B. Hansen</i>	DATE 9/22/79	TITLE RP04		
PROJ. ENG. <i>D. Quinn</i>	DATE 9-24-79			
PROD. <i>A. Hill</i>	DATE 7-29-79			
FIRST USED ON RP04				
SCALE <i>1/1</i>		SIZE CODE AWT	NUMBER 7009623-0	REV. E
SHEET / OF /		DIST.		



TITLE	SHEET	SIZE	CODE	NUMBER	REV
H764 POWER SUPPLY	2 OF 3	B	DD	H764-0	H

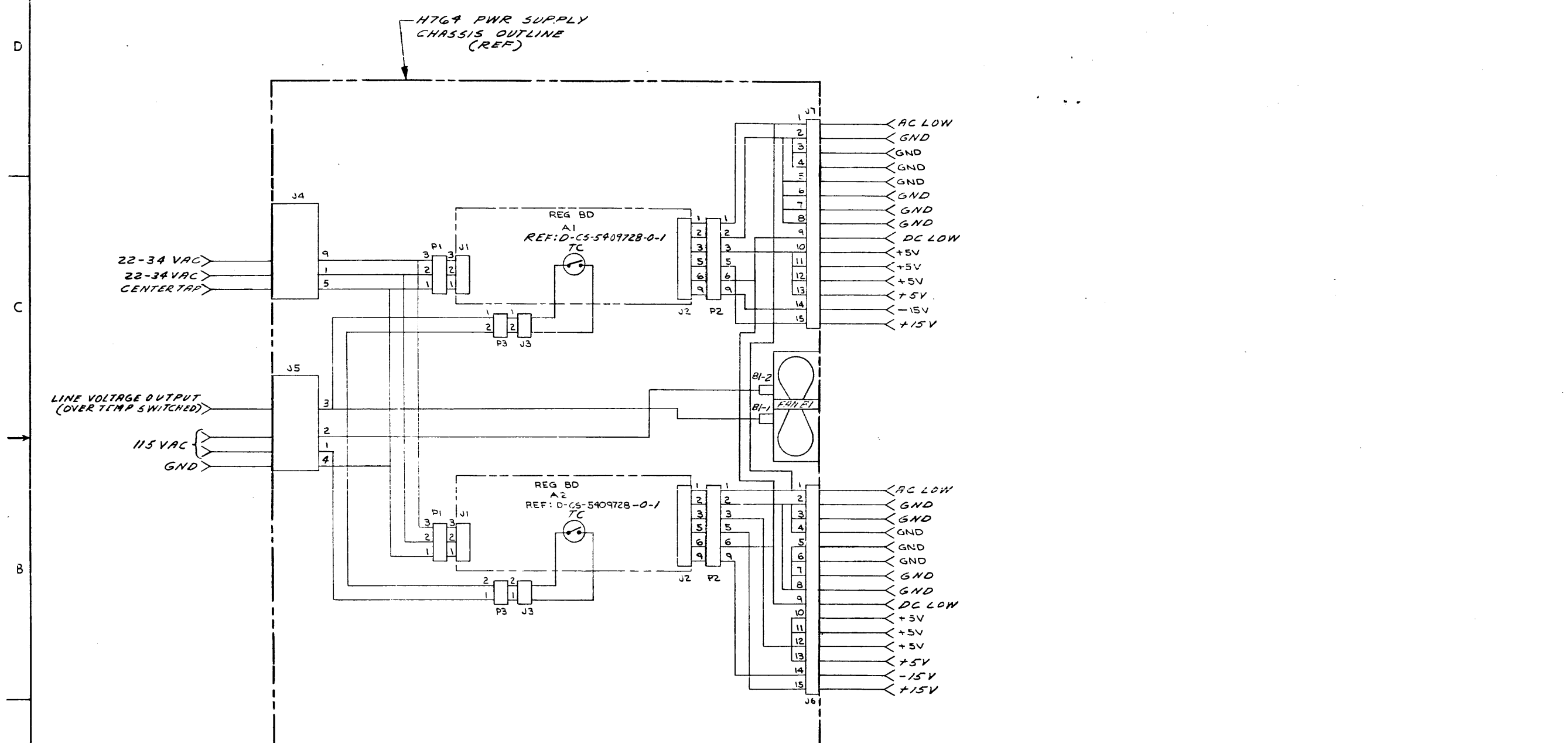
CUSTOMER PRINT SET		ELECTRICAL					CUSTOMER PRINT SET		MECHANICAL						
	MFG. SET	FIND NO.	DRAWING NO.	REV	NO OF SHT	DESCRIPTION	OPTION NO./FILE DATE		MFG. SET	FIND NO.	DRAWING NO.	REV	NO OF SHT	DESCRIPTION	OPTION NO./FILE DATE
		1	E-IA-H764-0-0	E	1	POWER SUPPLY H764				1	E-IA-H764-0-0	E	1	H764 POWER SUPPLY	
X			K-PL-H764-0-DBP	E	1	POWER SUPPLY H764					P-PP-RP-04-0-2			ASSY & TEST PROCEDURE	
			D-CS-H764-0-1	C	1	CIRCUIT SCHEMATIC H764					B-MD-7412615-0-0			INSULATOR	
			E-IA-7009614-0-0	C	1	HARNESS H764 POWER SUPPLY									
		4	E-IA-5409728-0-0		1	REG BOARD				2	D-IA-7411367-0-0		1	P/S COVER	
X			D-CS-5409728-0-1	H	1	CIRCUIT SCHEMATIC					D-SS-7411367-0-1		1	SILK SCREEN	
		3	E-IA-7411356-0-0		1	P/S CHASSIS ASSY					E-MD-7411355-0-0		1	P/S CHASSIS BRKT L.H.	
			E-IA-7411354-0-0		1	P/S CHASSIS BRKT R.H.					D-MD-7411365-0-0			SHIELD P/S	
			A-SS-7411356-0-1			SILK SCREEN					A-SS-7411356-0-2			SILK SCREEN	
		4	E-IA-5409728-0-0		1	REGULATOR BD					C-IA-5310126-0-0		1	HOLDER, CAPACITOR	
			C-MD-5309779-0-0		1	CONTACT COMMON CAPACITOR					C-MD-5309781-0-0		1	CONTACT CAPACITOR	

CUSTOMER PRINT SET CODES
X = PRINT OF DOCUMENT INCLUDED IN PRINT SET
C = INCLUDES ALL PRINTS INDICATED ON DOCUMENT
S = CONFIDENTIAL AUTHORIZED SIGNATURE REQUIRED

TITLE
H764 POWER SUPPLY
SIZE CODE: 8 DD
NUMBER: H764-0
REV: H
SHEET 3 OF 3

THE DRAWING AND SPECIFICATIONS HEREIN ARE THE PROPERTY OF DIGITAL EQUIPMENT CORPORATION AND SHALL NOT BE REPRODUCED OR COPIED IN WHOLE OR IN PART AS THE BASIS FOR THE MANUFACTURE OR SALE OF ANY EQUIPMENT WITHOUT WRITTEN PERMISSION OF DIGITAL EQUIPMENT CORPORATION.

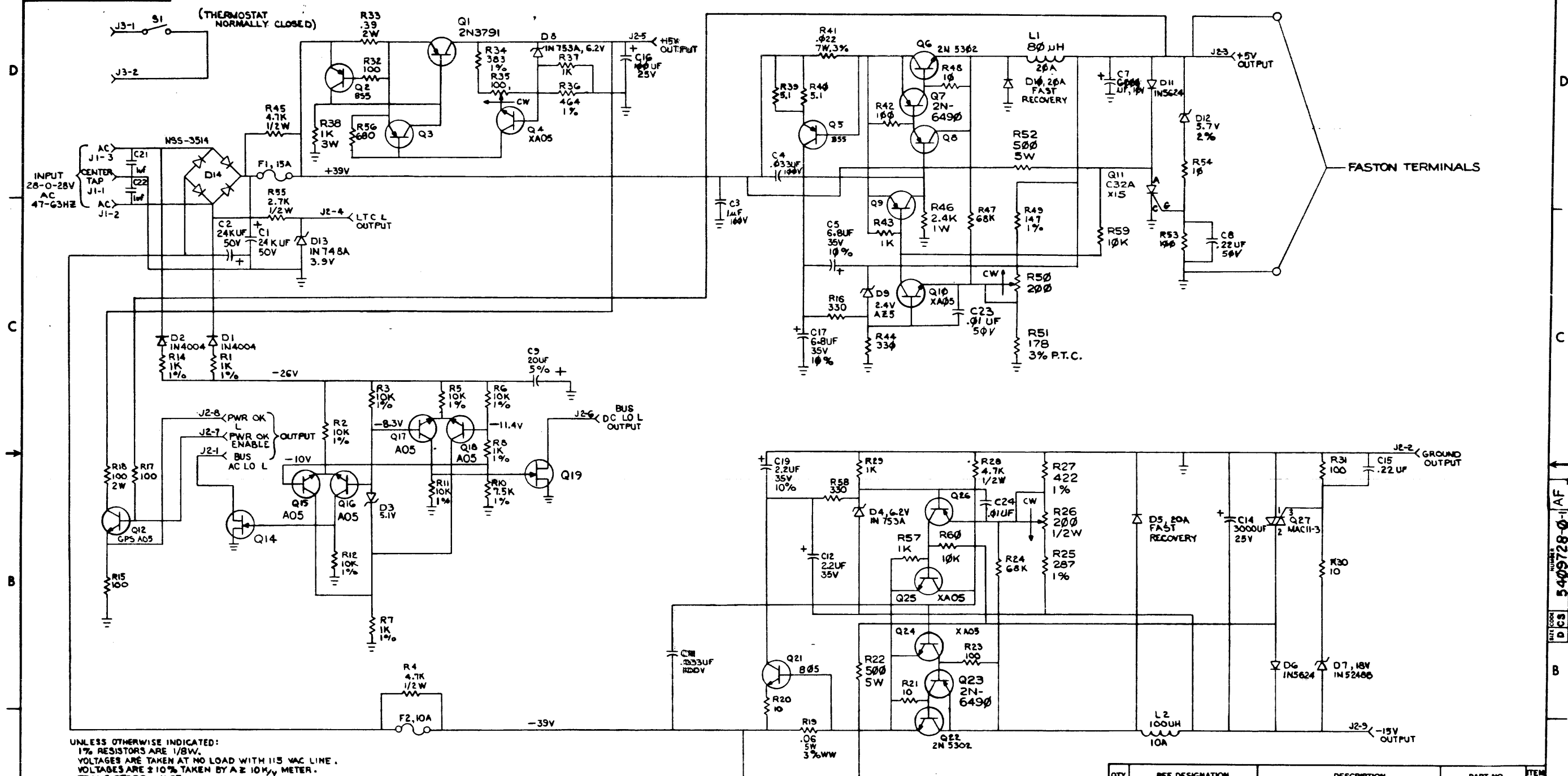
107 10-7-2H 2



REV.	DATE	BY	CHKD.
1	10/1/64	H. OLSON	
2	10/1/64	J. RINALDIS	
3	10/1/64	P. SALOFF	

FIRST USED ON OPT. CN. MODEL	QTY	DESCRIPTION	PART NO.	ITEM NO.
H764				
UNLESS OTHERWISE SPECIFIED DIMENSION IN INCHES				
TOLERANCES				
DECIMALS	ANGLES			
xxx = .005	0 30			
xx = .02				
x = .1				
REMOVE BURRS AND BREAK SHARP CORNERS SURFACE QUALITY 1				
MATERIAL				
NEXT HIGHER ASSY.				
FINISH				
B-DD-H764-0		SIZE CODE	NUMBER	REV.
D CS		H764-0-1		C
SHEET		OF	DIST	

This drawing and associated data, herein, are the property of Digital Equipment Corporation and shall not be reproduced or transmitted in any form or by any means, electronic, mechanical, photocopying, recording, or by any information storage and retrieval system, without permission. © 1974 Digital Equipment Corporation



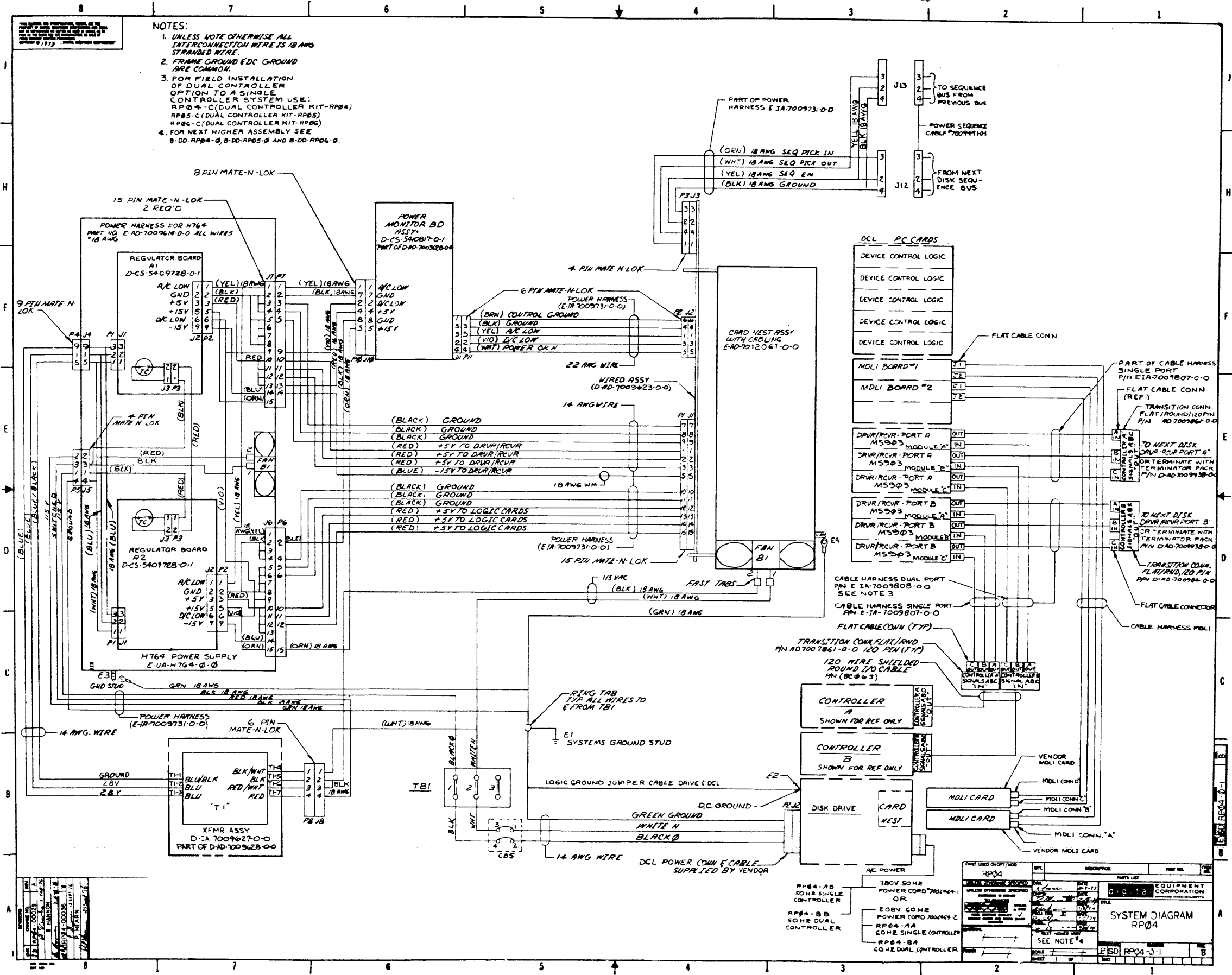
UNLESS OTHERWISE INDICATED:
 1% RESISTORS ARE 1/8W.
 VOLTAGES ARE TAKEN AT NO LOAD WITH 115 VAC LINE.
 VOLTAGES ARE ± 10% TAKEN BY A ± 10KV METER.
 TRANSISTORS = XA05.

1	A. BARON	3-7-78
2	A. BARON	1-24-78
3	A. BARON	1-24-78
4	A. BARON	1-24-78
5	A. BARON	1-24-78
6	A. BARON	1-24-78
7	A. BARON	1-24-78
8	A. BARON	1-24-78

QTY	REF DESIGNATION	DESCRIPTION	PART NO.	ITEM NO.
PARTS LIST				
ETCH BOARD REV H				
DRN. DATE 12-20-77		DATE 12-20-77		
CHKD. AMANDA MOORE		DATE 12-21-77		
PRD. ENG. [Signature]		DATE 11-28-77		
NEXT HIGHER ASSY		DATE 11-28-77		
SCALE		DISTR.		
DEC NO.		EIA NO.		REV.
SEMICONDUCTOR CONVERSION CHART				
SCALE		DISTR.		
SHEET 1 OF 1		DISTR.		

digital EQUIPMENT CORPORATION
 TITLE: **REGULATOR BOARD FOR H740**

DCS 5409728-0-1 AF



- NOTES:**
- UNLESS NOTE OTHERWISE ALL INTERCONNECTION WIRE IS 18 AWG STRANDED WIRE.
 - FRAME GROUND & DC GROUND ARE COMMON.
 - FOR FIELD INSTALLATION OF DUAL CONTROLLER OPTION TO A SINGLE CONTROLLER SYSTEM USE:
 RP04-C (DUAL CONTROLLER KIT-RP04)
 RP05-C (DUAL CONTROLLER KIT-RP05)
 RP06-C (DUAL CONTROLLER KIT-RP06)
 4. FOR NEXT HIGHER ASSEMBLY SEE B-DD-RP04-0, B-DD-RP05-0 AND B-DD-RP06-0.

NO.	DESCRIPTION	QTY	REVISION
1
2
3
4
5
6
7
8

AC POWER	300V 50HZ POWER CORD 700144-1 OR
RP04-A-B	300V 50HZ SINGLE CONTROLLER
RP04-B-B	300V 50HZ DUAL CONTROLLER
RP04-A-A	300V 50HZ SINGLE CONTROLLER
RP04-B-A	300V 50HZ DUAL CONTROLLER

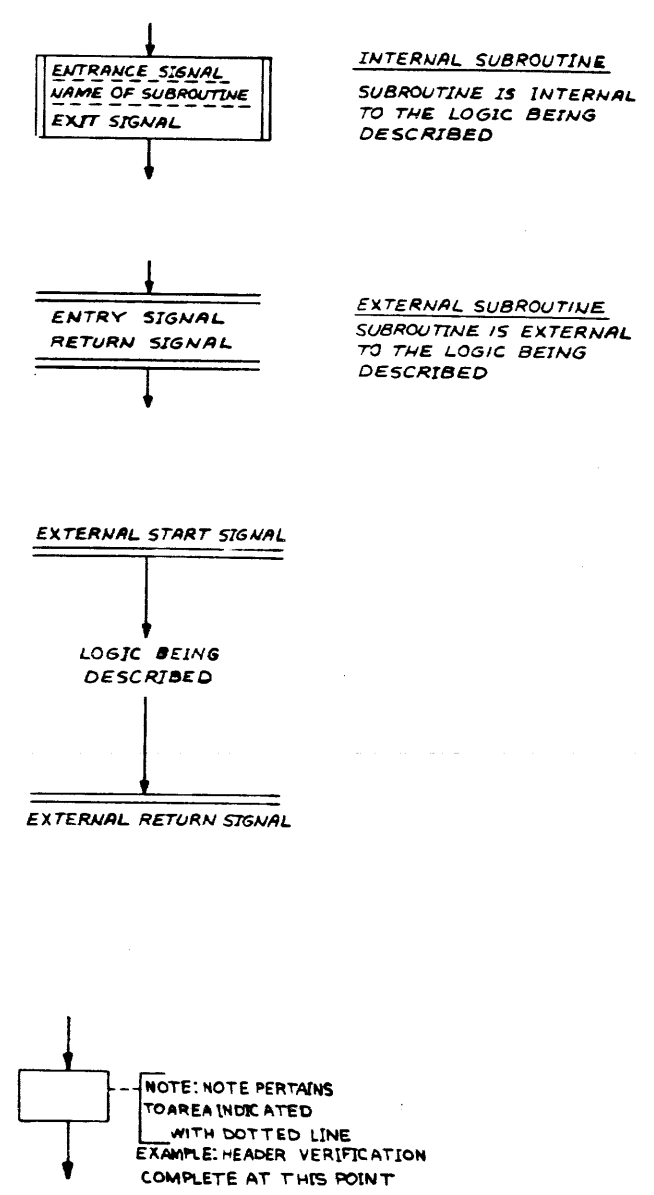
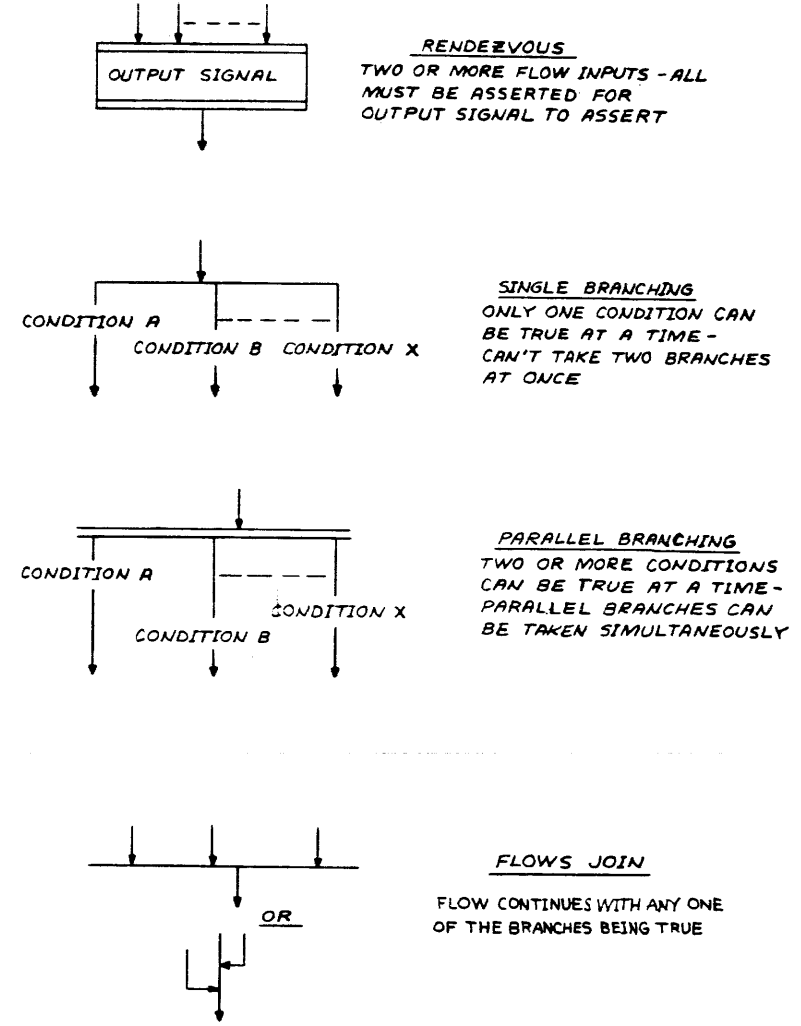
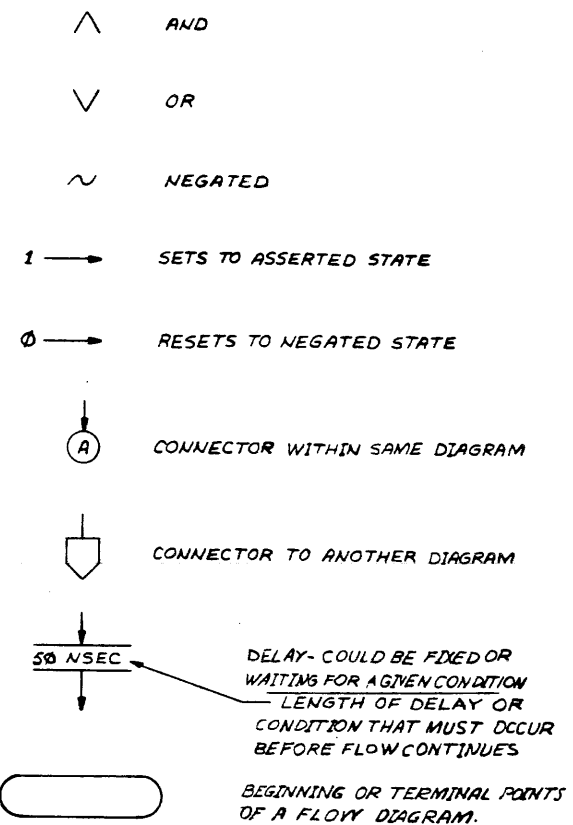
PART USED (SHORT/REP)	QTY	DESCRIPTION	PART NO.	REV.
...
...
...
...
...

SYSTEM DIAGRAM
 RP04
 ESD RP04-0-1

THIS DRAWING AND SPECIFICATIONS HEREIN ARE THE PROPERTY OF DIGITAL EQUIPMENT CORPORATION AND SHALL NOT BE REPRODUCED OR COPIED OR USED IN WHOLE OR IN PART AS THE BASIS FOR THE MANUFACTURE OR SALE OF ITEMS WITHOUT WRITTEN PERMISSION. COPYRIGHT © 1974, DIGITAL EQUIPMENT CORPORATION

D
C
B
A

D
C
B
A

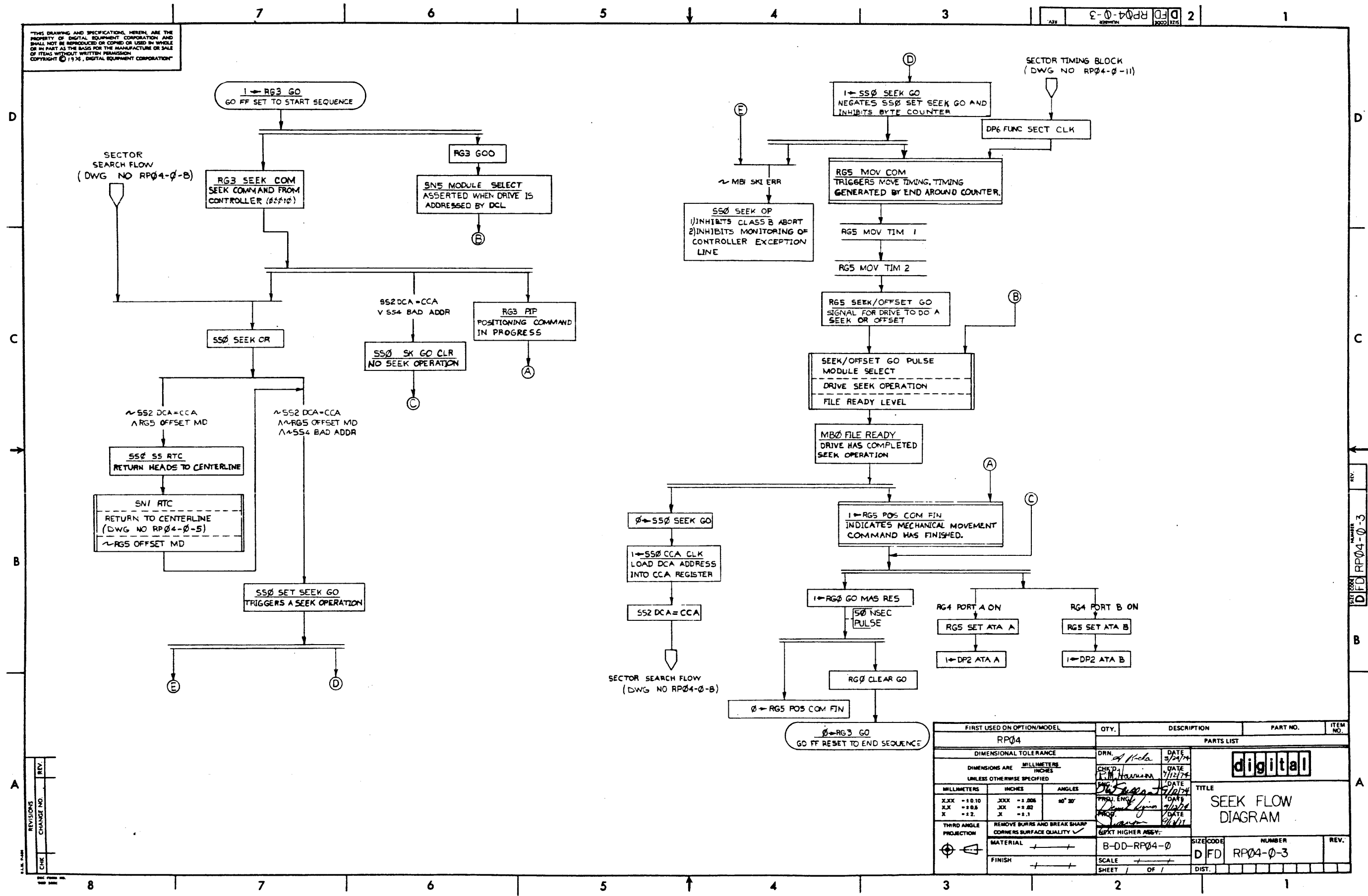


REV.	CHG.	NO.

FIRST USED ON OPTION/MODEL		QTY.	DESCRIPTION	PART NO.	ITEM NO.
RP04					
DIMENSIONAL TOLERANCE		DRN	DATE	PARTS LIST	
DIMENSIONS ARE MILLIMETERS UNLESS OTHERWISE SPECIFIED		CHK'D	DATE	digital	
MILLIMETERS	INCHES	ENG	DATE	TITLE	
±0.10	±0.005	PROG-ENG	DATE	FLOW DIAGRAM	
±0.5	±0.02	PRG	DATE	SYMBOLY	
±1.0	±0.05	PRG	DATE		
THIRD ANGLE PROJECTION	REMOVE BURRS AND BREAK SHARP CORNERS SURFACE QUALITY			SIZE CODE	NUMBER
				DEFD	RP04-0-43
MATERIAL	FINISH	SCALE	SHEET	OF	REV.
			1	1	

THIS DRAWING AND SPECIFICATIONS, HEREIN, ARE THE PROPERTY OF DIGITAL EQUIPMENT CORPORATION AND SHALL NOT BE REPRODUCED OR COPIED OR USED IN WHOLE OR IN PART AS THE BASIS FOR THE MANUFACTURE OR SALE OF ITEMS WITHOUT WRITTEN PERMISSION. COPYRIGHT © 1974, DIGITAL EQUIPMENT CORPORATION.

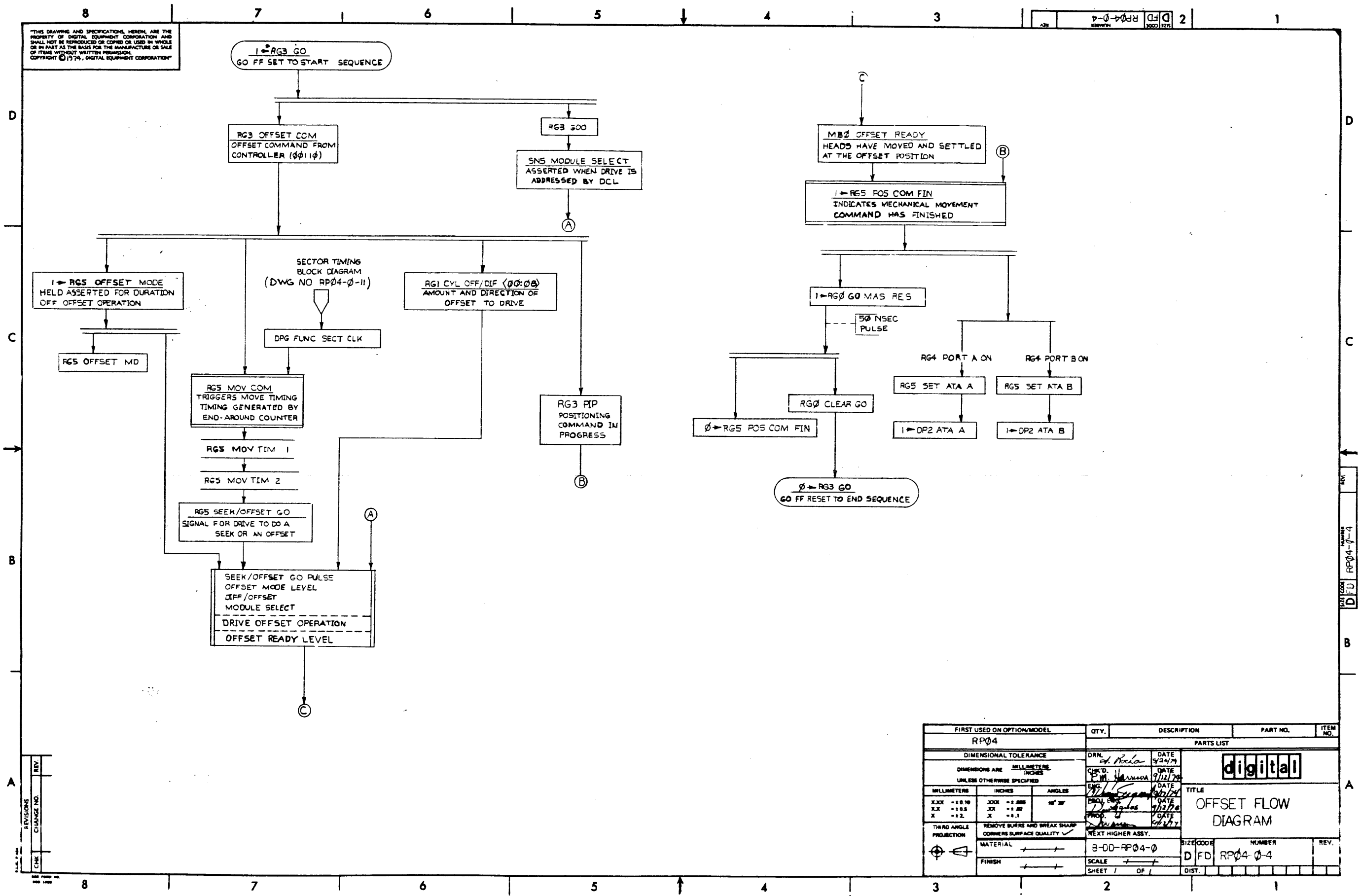
REV. 2
D F D RP04-0-3



REV.	CHANGE NO.	REV.

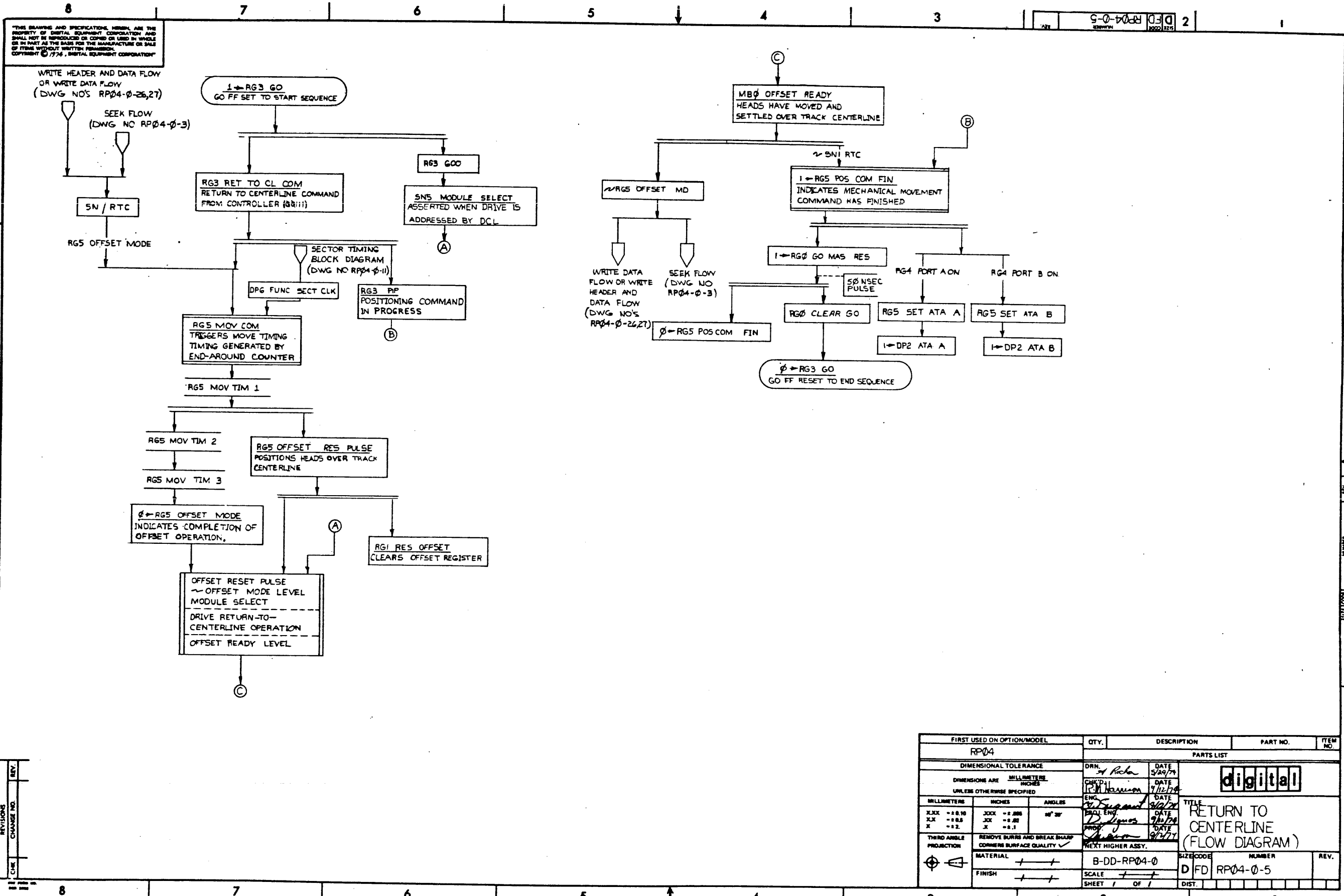
FIRST USED ON OPTION/MODEL RP04		QTY.	DESCRIPTION	PART NO.	ITEM NO.
DIMENSIONAL TOLERANCE					
DIMENSIONS ARE MILLIMETERS UNLESS OTHERWISE SPECIFIED		DRN.	DATE	PARTS LIST	
MILLIMETERS		CHK'D	DATE	digital	
INCHES		DATE	DATE	TITLE	
ANGLES		DATE	DATE	SEEK FLOW DIAGRAM	
THIRD ANGLE PROJECTION		DATE	DATE	MATERIAL	
REMOVE BURRS AND BREAK SHARP CORNERS SURFACE QUALITY		DATE	DATE	FINISH	
BETTER HIGHER ASSY.		SCALE		SIZE CODE	NUMBER
B-D-D-RP04-0		SHEET OF 1		D F D	RP04-0-3
DIST.		REV.		REV.	

THIS DRAWING AND SPECIFICATIONS HEREIN ARE THE PROPERTY OF DIGITAL EQUIPMENT CORPORATION AND SHALL NOT BE REPRODUCED OR COPIED OR USED IN WHOLE OR IN PART AS THE BASIS FOR THE MANUFACTURE OR SALE OF ITEMS WITHOUT WRITTEN PERMISSION. COPYRIGHT © 1974, DIGITAL EQUIPMENT CORPORATION.



REV.	CHANGE NO.	CHK.

FIRST USED ON OPTION/MODEL RP04		QTY.	DESCRIPTION	PART NO.	ITEM NO.
PARTS LIST					
DIMENSIONAL TOLERANCE		DRN. <i>A. Pochla</i>	DATE 9/24/74		
DIMENSIONS ARE MILLIMETERS UNLESS OTHERWISE SPECIFIED		CHK'D. <i>P. M. W. MANANA</i>	DATE 9/12/74		
MILLIMETERS INCHES ANGLES		ENG. <i>[Signature]</i>	DATE 9/27/74		
X.XX ±0.10 JXX ±0.000 30° 30'		PROJ. ENG. <i>[Signature]</i>	DATE 9/12/74		
X.X ±0.5 JX ±0.02		PROD. <i>[Signature]</i>	DATE 9/27/74	TITLE OFFSET FLOW DIAGRAM	
X ±2. X ±0.1		NEXT HIGHER ASSY.		SIZE CODE NUMBER B-DD-RP04-0	
THREAD ANGLE PROJECTION		REMOVE BURRS AND BREAK SHARP CORNERS SURFACE QUALITY		SCALE SHEET 1 OF 1	
FINISH		MATERIAL		DIST.	

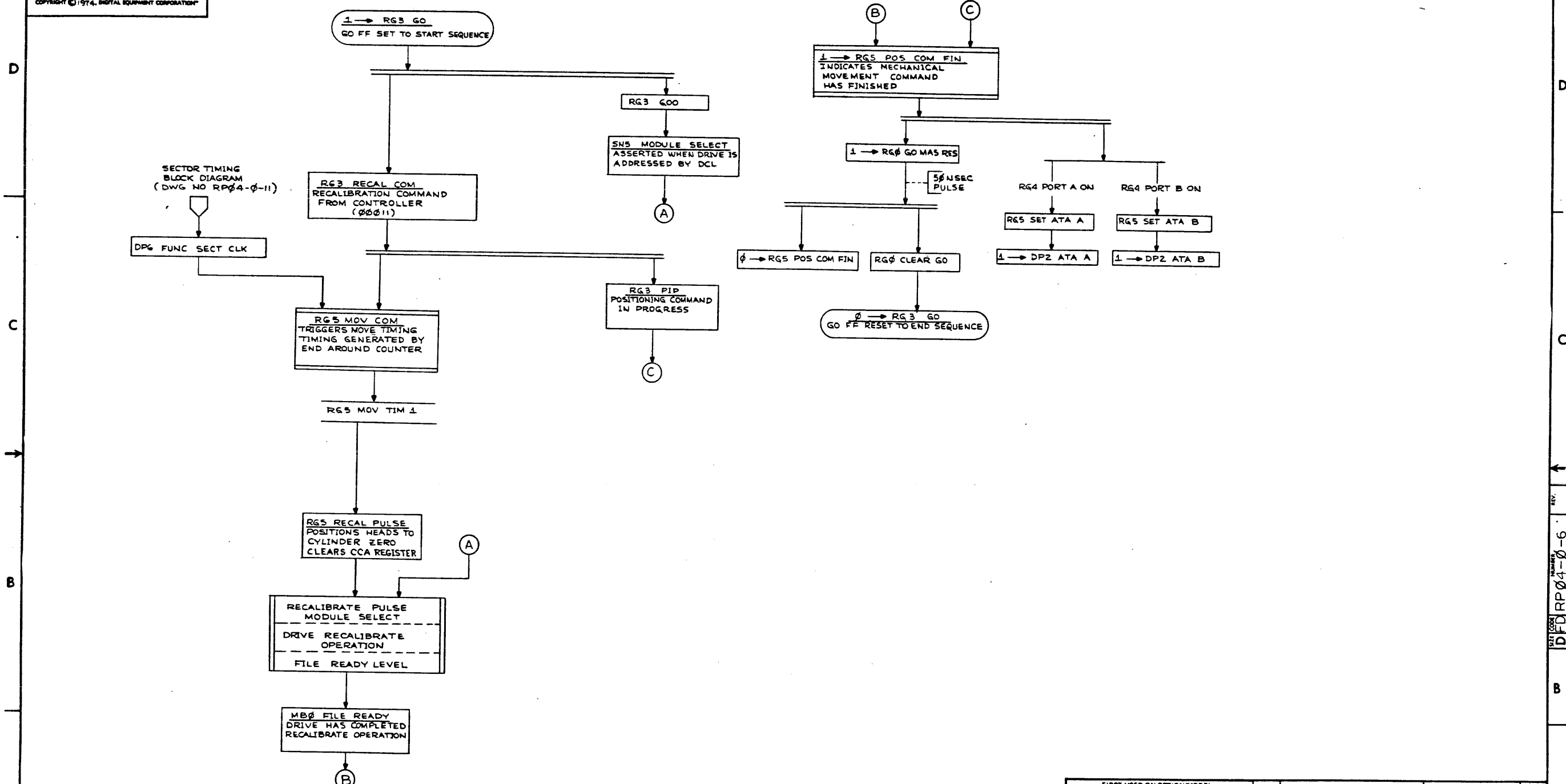


FIRST USED ON OPTION/MODEL	QTY.	DESCRIPTION	PART NO.	ITEM NO.
RP04				
PARTS LIST				
DIMENSIONAL TOLERANCE		DRN. <i>of Rabin</i>	DATE 5/29/74	digital
DIMENSIONS ARE MILLIMETERS UNLESS OTHERWISE SPECIFIED		CHK'D BY <i>R.M. Harrison</i>	DATE 9/12/74	
MILLIMETERS	INCHES	ENG. <i>W. Sargent</i>	DATE 8/12/74	
XLX - ±0.10 XX - ±0.5 X - ±2	XXX - ±.008 XX - ±.02 X - ±.1	PROJ. ENG. <i>D. Lyons</i>	DATE 9/12/74	
THIRD ANGLE PROJECTION	REMOVE BURRS AND BREAK SHARP CORNERS SURFACE QUALITY	PROF. <i>W. Sargent</i>	DATE 9/27/74	TITLE RETURN TO CENTERLINE (FLOW DIAGRAM)
	MATERIAL	NEXT HIGHER ASSY.		SIZE CODE
	FINISH	B-DD-RP04-0	NUMBER	REV.
		SCALE	D FD RP04-0-5	
		SHEET 1 OF 1	DIST.	

REV. PART CODE DFD RP04-0-5

THIS DRAWING AND SPECIFICATIONS, HEREIN, ARE THE PROPERTY OF DIGITAL EQUIPMENT CORPORATION AND SHALL NOT BE REPRODUCED OR COPIED OR USED IN WHOLE OR IN PART AS THE BASIS FOR THE MANUFACTURE OR SALE OF ITEMS WITHOUT WRITTEN PERMISSION. COPYRIGHT © 1974, DIGITAL EQUIPMENT CORPORATION.

DFDRP04-0-6 2



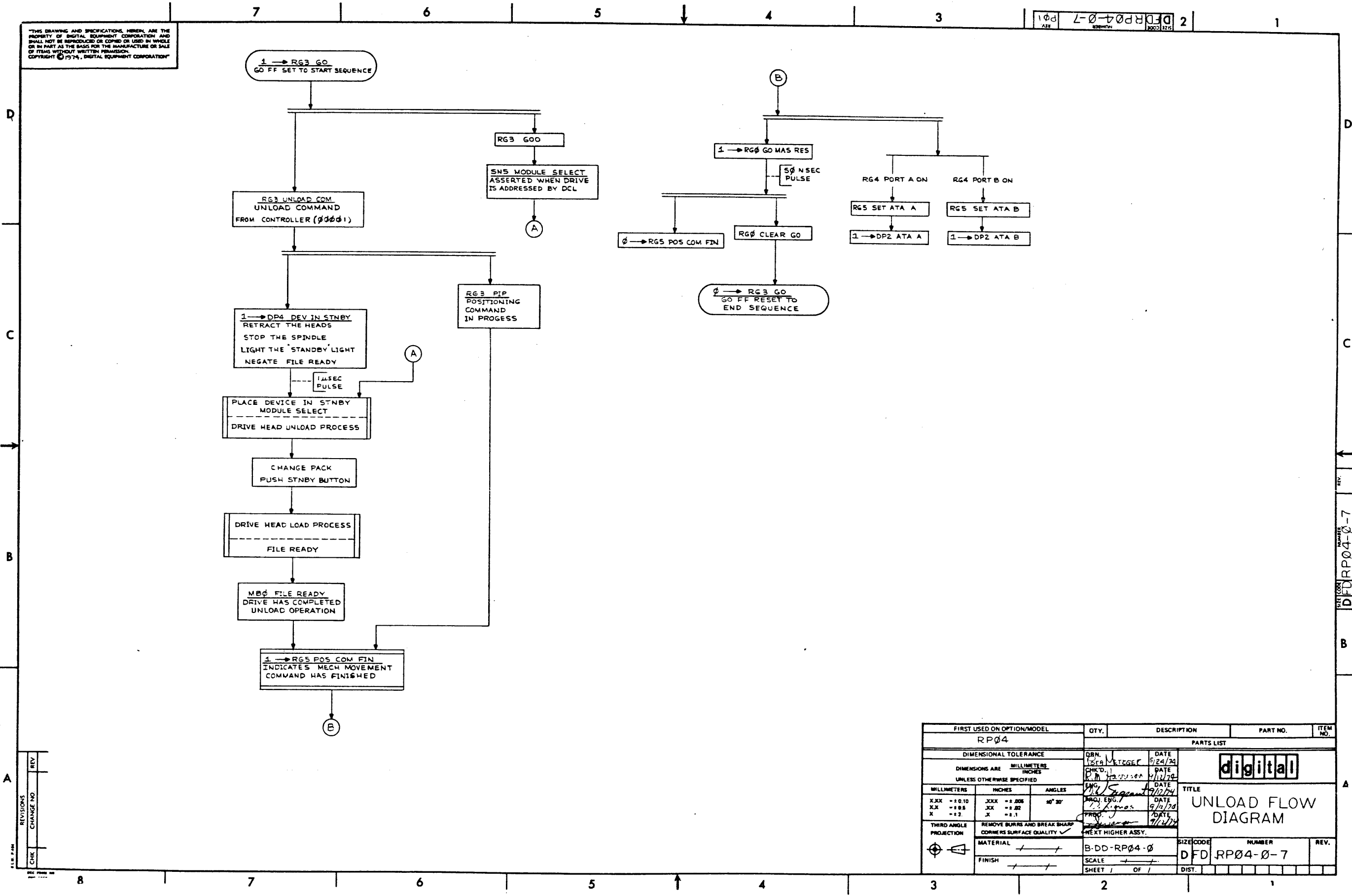
REV.	CHANGE NO.	REVISIONS

FIRST USED ON OPTION/MODEL RP04		QTY.	DESCRIPTION	PART NO.	ITEM NO.
PARTS LIST					
DIMENSIONAL TOLERANCE		DRN. DATE	DATE	digital	
DIMENSIONS ARE MILLIMETERS INCHES UNLESS OTHERWISE SPECIFIED		CHK'D. DATE	DATE		
MILLIMETERS	INCHES	ANGLES	DATE	TITLE	
±0.10	±0.005	±30'	DATE	RECALIBRATE FLOW DIAGRAM	
±0.05	±0.002		DATE	NEXT HIGHER ASSY.	
±0.02	±0.001		DATE	MATERIAL	
			DATE	FINISH	
THIRD ANGLE PROJECTION	REMOVE BURRS AND BREAK SHARP CORNERS SURFACE QUALITY	NEXT HIGHER ASSY.		SIZE CODE	NUMBER
		B-DD-RP04-0		DFDRP04-0-6	REV.
		SCALE	SHEET / OF /	DIST.	

REV. NO. DFDRP04-0-6

THIS DRAWING AND SPECIFICATIONS HEREIN ARE THE PROPERTY OF DIGITAL EQUIPMENT CORPORATION AND SHALL NOT BE REPRODUCED OR COPIED OR USED IN WHOLE OR IN PART AS THE BASIS FOR THE MANUFACTURE OR SALE OF ITEMS WITHOUT WRITTEN PERMISSION. COPYRIGHT © 1974, DIGITAL EQUIPMENT CORPORATION

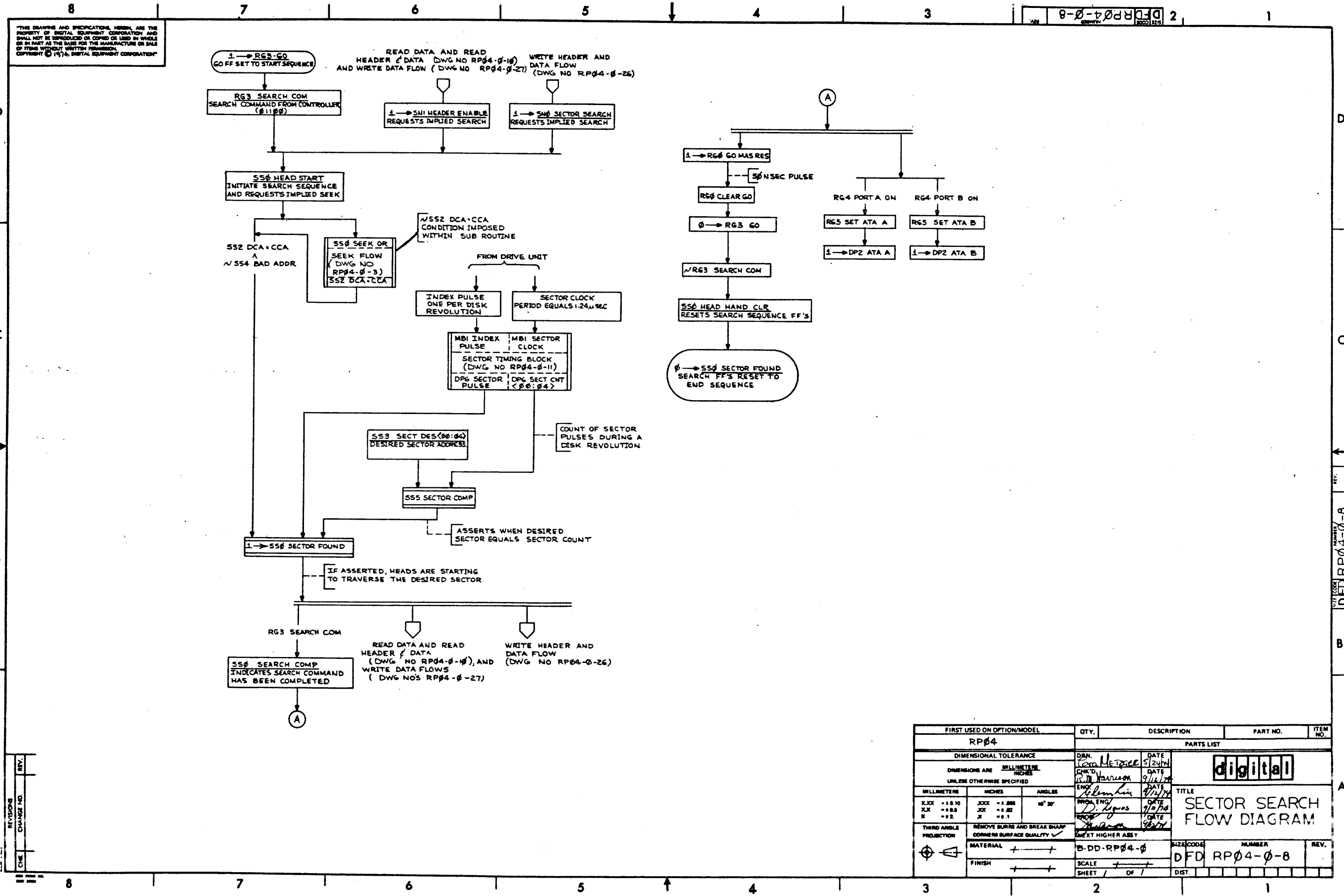
REV. 1
 DFD RP04-0-7
 2



REV	CHANGE NO
CHK	

REV. 1
 DFD RP04-0-7

FIRST USED ON OPTION/MODEL RP04		QTY.	DESCRIPTION	PART NO.	ITEM NO.
PARTS LIST					
DIMENSIONAL TOLERANCE		DBN. DATE	digital		
DIMENSIONS ARE MILLIMETERS		CHKD. DATE	TITLE UNLOAD FLOW DIAGRAM		
UNLESS OTHERWISE SPECIFIED		ENG. DATE			
MILLIMETERS	INCHES	ANGLES			
X.XX ±0.10	.XX ±0.008	40° 30'			
XX ±0.5	.X ±0.02		MATERIAL		
X ±2	.X ±0.1		FINISH		
THIRD ANGLE PROJECTION	REMOVE BURRS AND BREAK SHARP CORNERS SURFACE QUALITY	DATE	NEXT HIGHER ASSY.		
MATERIAL		DATE	SIZE CODE	NUMBER	REV.
FINISH		DATE	DFD	RP04-0-7	
SCALE		DATE	DIST.		
SHEET 1 OF 1					



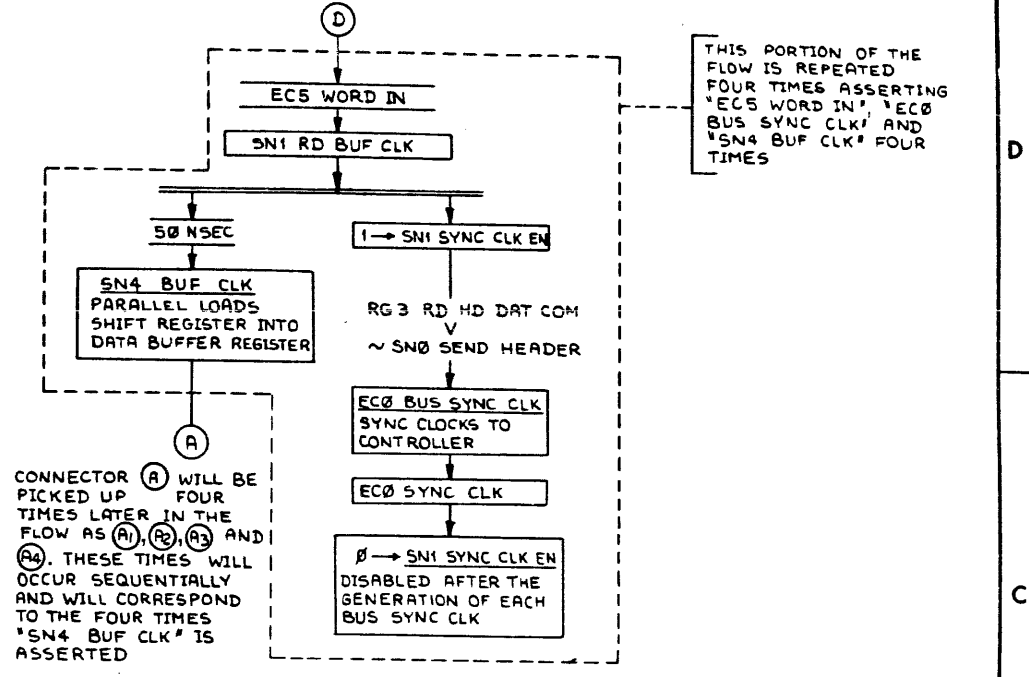
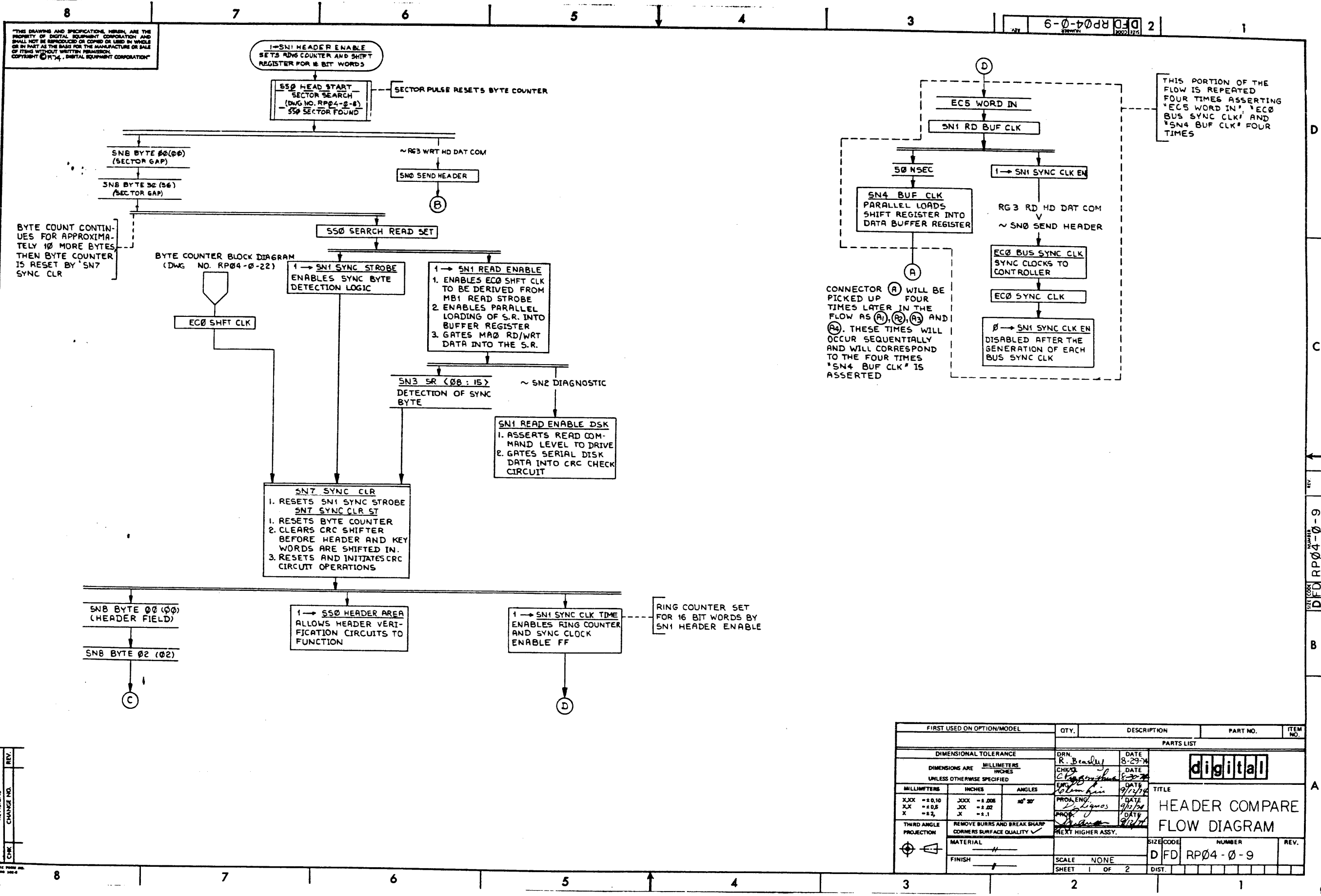
REV.	
CHANGE NO.	
CHE	

FIRST USED ON OPTION/MODEL	QTY.	DESCRIPTION	PART NO.	ITEM NO.
RP04				
PARTS LIST				
DIMENSIONAL TOLERANCE		DRM. DATE	DATE	
DIMENSIONS ARE MILLIMETERS UNLESS OTHERWISE SPECIFIED		CHK'D. DATE	DATE	
MILLIMETERS		ENG. DATE	DATE	
XJX ±0.10	JXX ±0.006	PROJ. ENG. DATE	DATE	
XJX ±0.03	JXX ±0.02	DATE	DATE	
X ±0.2	J ±0.1	DATE	DATE	
THIRD ANGLE PROJECTION	REMOVE BURRS AND BREAK SHARP CORNERS SURFACE QUALITY	NEXT HIGHER ASSY		
MATERIAL	FINISH	B-DD-RP04-0	SIZE CODE	NUMBER
		SCALE	DFD	RP04-0-8
		SHEET	OF	DIST.

digital

TITLE
SECTOR SEARCH FLOW DIAGRAM

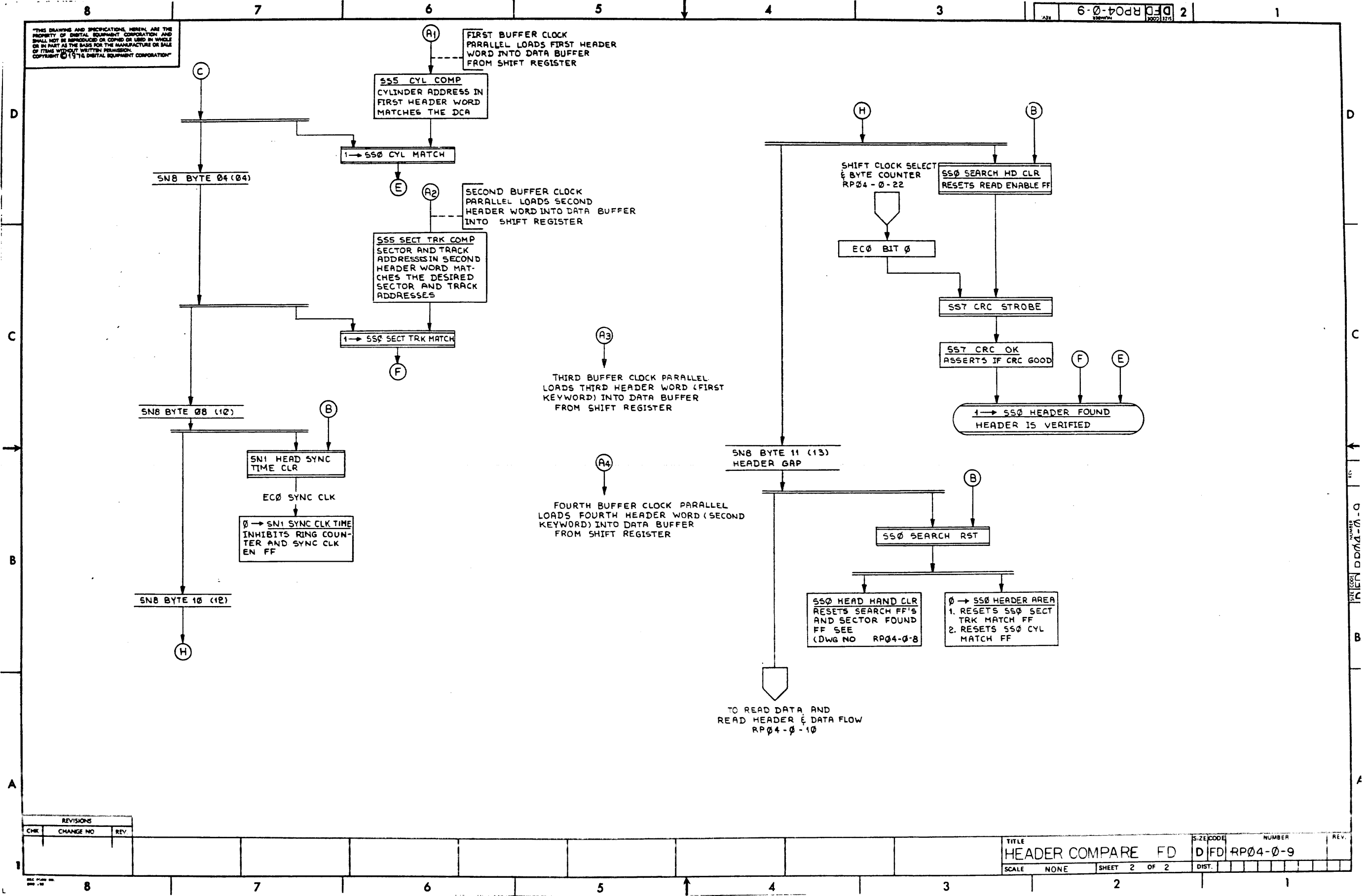
REV. 1
DFD RP04-0-8



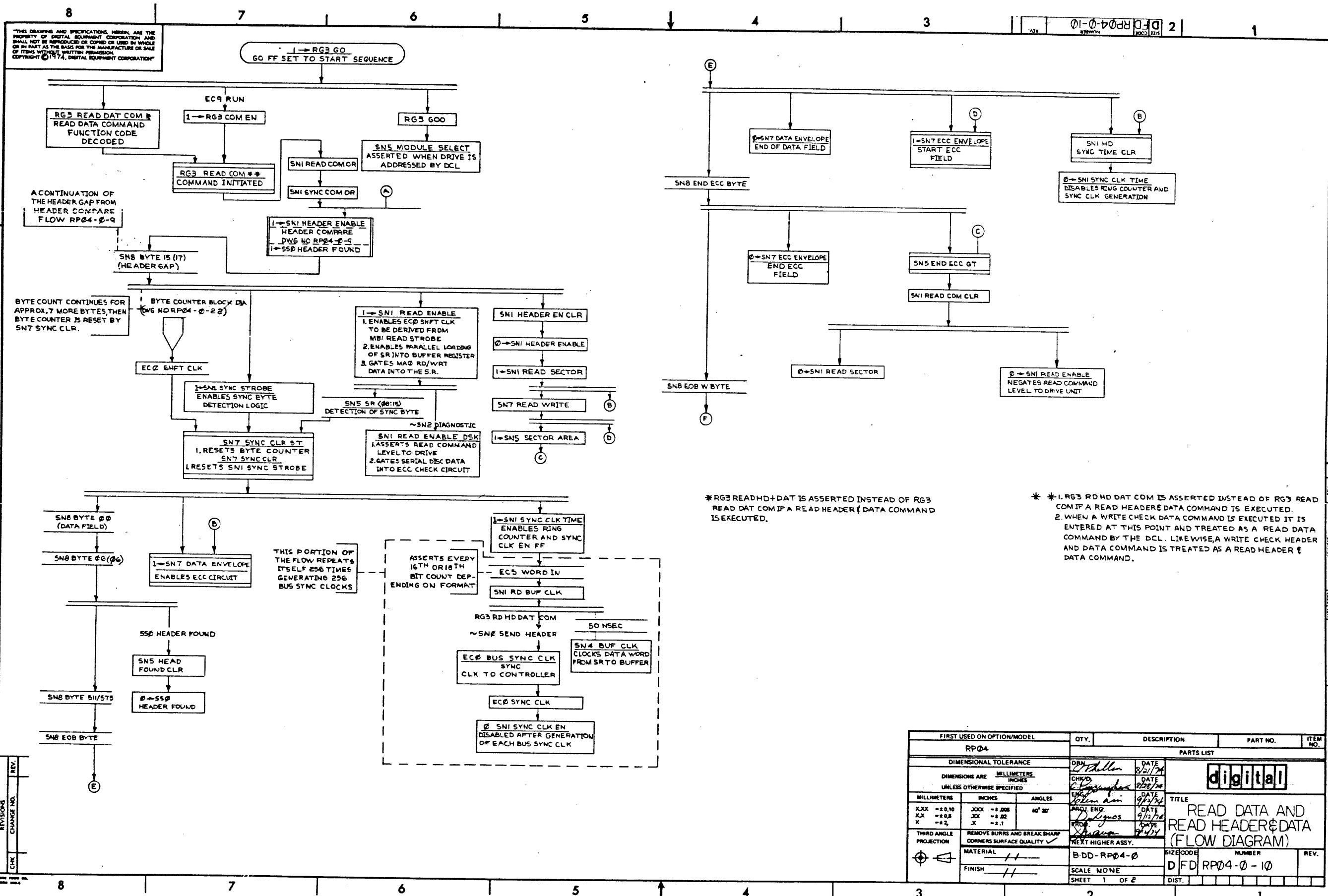
REV.	CHG.	NO.

FIRST USED ON OPTION/MODEL	QTY.	DESCRIPTION	PART NO.	ITEM NO.
PARTS LIST				
DIMENSIONAL TOLERANCE		DRN R. Beasley	DATE 8-29-74	digital
DIMENSIONS ARE MILLIMETERS UNLESS OTHERWISE SPECIFIED		CHKD C. Thompson	DATE 8-29-74	
MILLIMETERS	INCHES	ENG C. Thompson	DATE 9/12/74	
ANGLES		PROG. ENG. L. Liguos	DATE 9/12/74	
THIRD ANGLE PROJECTION	REMOVE BURRS AND BREAK SHARP CORNERS SURFACE QUALITY	PROOF M. J. ...	DATE 9/12/74	TITLE HEADER COMPARE FLOW DIAGRAM
MATERIAL	FINISH	SCALE NONE	SHEET 1 OF 2	SIZE CODE D FD RP04-0-9
			DIST.	REV.

"THIS DRAWING AND SPECIFICATIONS HEREIN ARE THE PROPERTY OF DIGITAL EQUIPMENT CORPORATION AND SHALL NOT BE REPRODUCED OR COPIED OR USED IN WHOLE OR IN PART AS THE BASIS FOR THE MANUFACTURE OR SALE OF ITEMS WITHOUT WRITTEN PERMISSION. COPYRIGHT © 1974 DIGITAL EQUIPMENT CORPORATION"



REVISIONS		
CHK	CHANGE NO	REV.



THIS DRAWING AND SPECIFICATIONS HEREIN ARE THE PROPERTY OF DIGITAL EQUIPMENT CORPORATION AND SHALL NOT BE REPRODUCED OR COPIED OR USED IN WHOLE OR IN PART AS THE BASIS FOR THE MANUFACTURE OR SALE OF ITEMS WITHOUT WRITTEN PERMISSION. COPYRIGHT © 1974, DIGITAL EQUIPMENT CORPORATION.

REV. NO. 1
 SIZE CODE DFD RP04-0-10

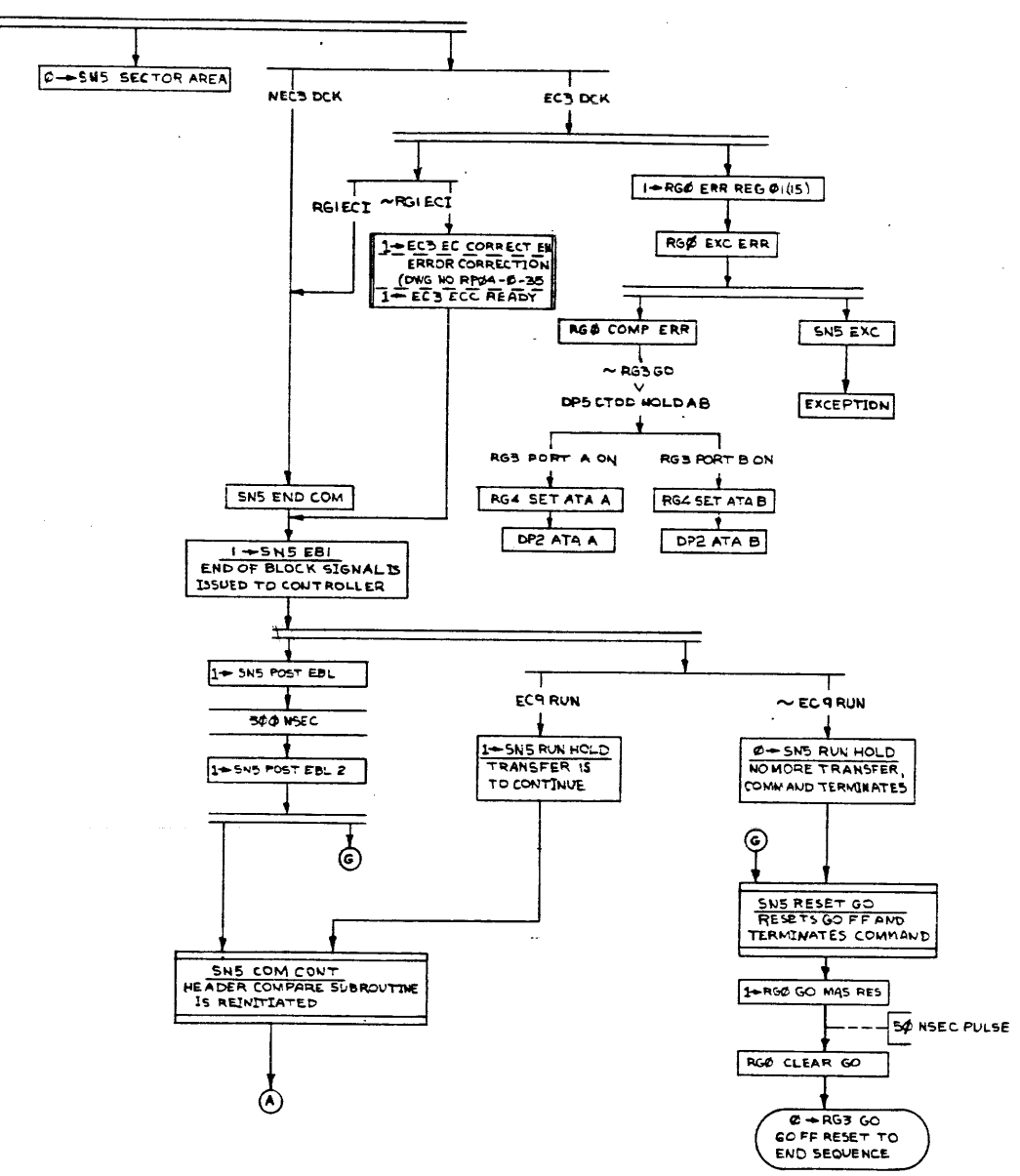
*RG3 READHD+DAT IS ASSERTED INSTEAD OF RG3 READ DAT COM IF A READ HEADER & DATA COMMAND IS EXECUTED.

* * 1. RG3 RDHD DAT COM IS ASSERTED INSTEAD OF RG3 READ COM IF A READ HEADER & DATA COMMAND IS EXECUTED.
 2. WHEN A WRITE CHECK DATA COMMAND IS EXECUTED IT IS ENTERED AT THIS POINT AND TREATED AS A READ DATA COMMAND BY THE DCL. LIKEWISE A WRITE CHECK HEADER AND DATA COMMAND IS TREATED AS A READ HEADER & DATA COMMAND.

FIRST USED ON OPTION/MODEL		QTY.	DESCRIPTION	PART NO.	ITEM NO.
RP04					
PARTS LIST					
DIMENSIONAL TOLERANCE		DATE			
DIMENSIONS ARE MILLIMETERS		DATE			
UNLESS OTHERWISE SPECIFIED		DATE			
MILLIMETERS	INCHES	ANGLES	TITLE		
XXX = ±0.10	XXX = ±0.025	10° 30'	READ DATA AND READ HEADER & DATA (FLOW DIAGRAM)		
XX = ±0.5	X = ±0.2		MATERIAL		
X = ±2			FINISH		
THIRD ANGLE PROJECTION	REMOVE BURRS AND BREAK SHARP CORNERS SURFACE QUALITY	DATE	SIZE CODE		
		DATE	NUMBER		
		DATE	REV.		
		DATE	SCALE NONE		
		DATE	SHEET 1 OF 2		
		DATE	DIST.		

THIS DRAWING AND SPECIFICATIONS HEREIN ARE THE PROPERTY OF DIGITAL EQUIPMENT CORPORATION AND SHALL NOT BE REPRODUCED OR COPIED OR USED IN WHOLE OR IN PART AS THE BASIS FOR THE MANUFACTURE OR SALE OF ITEMS WITHOUT WRITTEN PERMISSION. COPYRIGHT © 1974, DIGITAL EQUIPMENT CORPORATION.

TOLERANCE GAP OF ABOUT 20 BYTES BEFORE NEXT SECTOR PULSE.

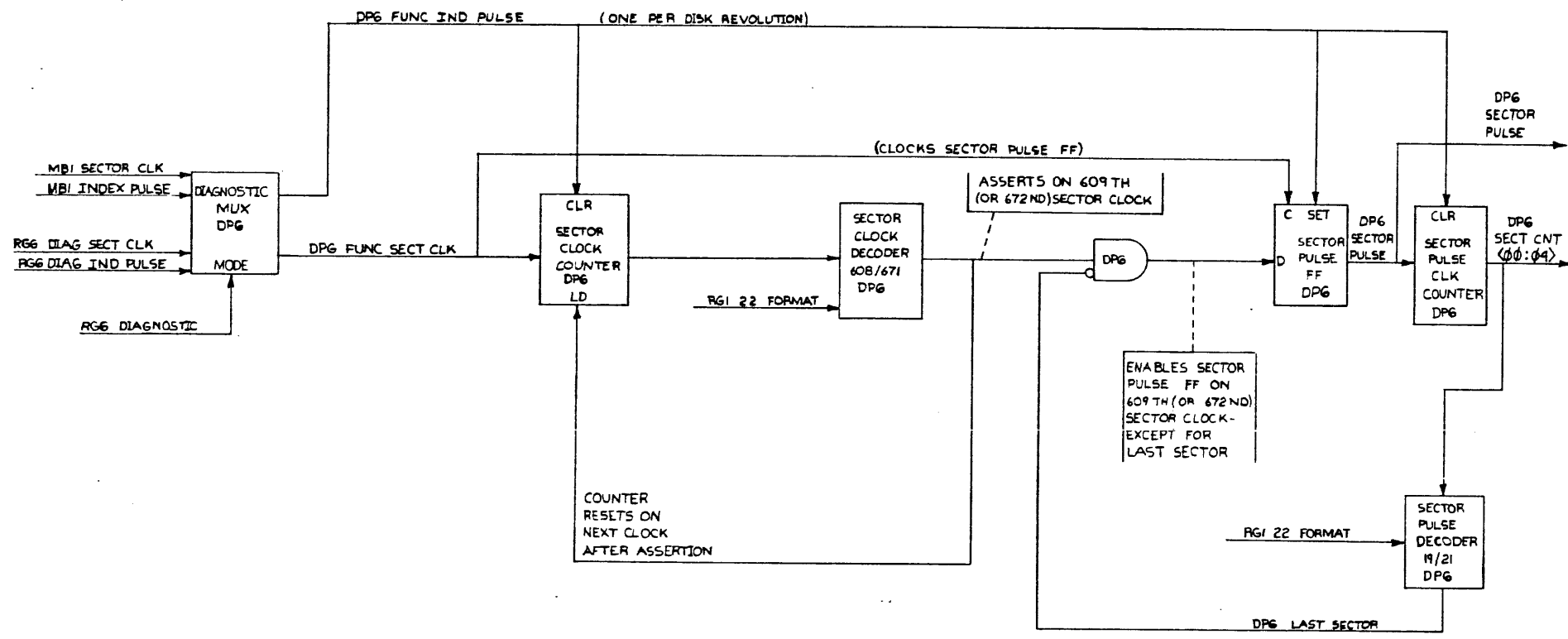


REV.	CHG.	NO.	DATE

FIRST USED ON OPTION/MODEL	QTY.	DESCRIPTION	PART NO.	ITEM NO.
PARTS LIST				
DIMENSIONAL TOLERANCE		DRN	DATE	digital
DIMENSIONS ARE MILLIMETERS INCHES UNLESS OTHERWISE SPECIFIED		CHKD	DATE	
MILLIMETERS	INCHES	ENG.	DATE	
XXX = ± 0.10 XX = ± 0.2 X = ± 0.5	XXX = ± 0.008 XX = ± 0.02 X = ± 0.1	PROJ. ENG.	DATE	
THIRD ANGLE PROJECTION	REMOVE BURRS AND BREAK SHARP CORNERS SURFACE QUALITY	PROD.	DATE	TITLE
		NEXT HIGHER ASSY.		READ DATA AND READ HEADER & DATA (FLOW DIAGRAM)
MATERIAL	FINISH	SCALE	SIZE CODE	NUMBER
		NONE	D	FD RP04-0-10
SHEET 2 OF 2			DIST.	REV.

"THIS DRAWING AND SPECIFICATIONS, HEREIN, ARE THE PROPERTY OF DIGITAL EQUIPMENT CORPORATION AND SHALL NOT BE REPRODUCED OR COPIED OR USED IN WHOLE OR IN PART AS THE BASIS FOR THE MANUFACTURE OR SALE OF ITEMS WITHOUT WRITTEN PERMISSION. COPYRIGHT © 1970, DIGITAL EQUIPMENT CORPORATION"

11-0-0081 DBD 2

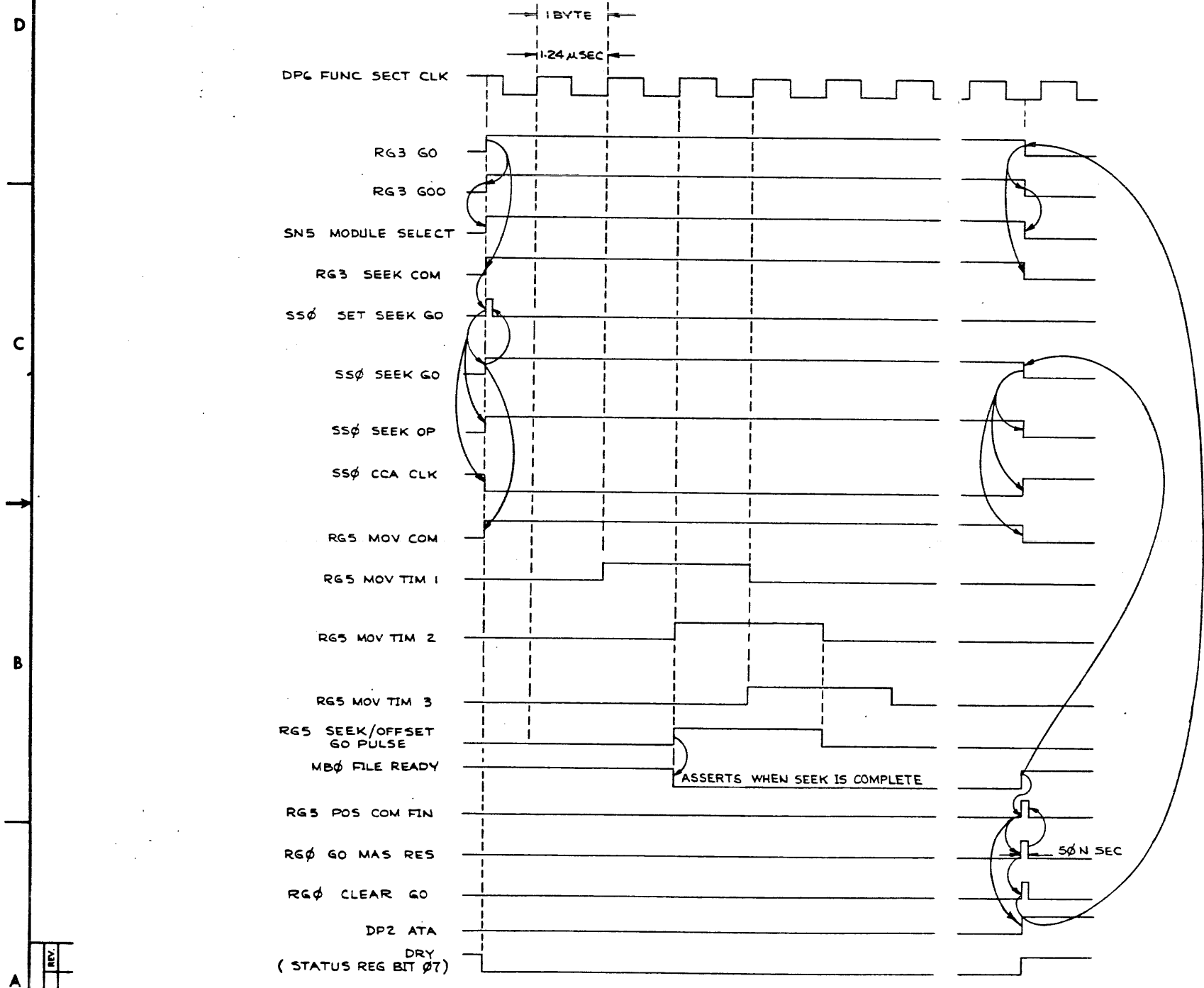


REV.	
CHANGE NO.	

FIRST USED ON OPTION/MODEL		QTY.	DESCRIPTION	PART NO.	ITEM NO.
RP04					
PARTS LIST					
DIMENSIONAL TOLERANCE		DRN.	DATE	digital	
DIMENSIONS ARE MILLIMETERS		CHK'D.	DATE		
UNLESS OTHERWISE SPECIFIED		ENG.	DATE		
MILLIMETERS	INCHES	ANGLES		TITLE	
X,XX -0.010	J,XX -0.008	16° 30'	PRG1. ENG.	SECTOR TIMING	
X,X -0.05	J,X -0.02		DATE	BLOCK DIAGRAM	
X -0.2	J -0.1		DATE		
THIRD ANGLE PROJECTION	REMOVE BURRS AND BREAK SHARP CORNERS SURFACE QUALITY	NEXT HIGHER ASSY.			
MATERIAL		B-DD-RP04-0	SIZE CODE	NUMBER	REV.
FINISH		SCALE	D BD	RP04-0-11	
		SHEET 1 OF 1	DIST.		

REV. D BD RP04-0-11

THIS DRAWING AND SPECIFICATIONS HEREIN ARE THE PROPERTY OF DIGITAL EQUIPMENT CORPORATION AND SHALL NOT BE REPRODUCED OR COPIED OR USED IN WHOLE OR IN PART AS THE BASIS FOR THE MANUFACTURE OR SALE OF ITEMS WITHOUT WRITTEN PERMISSION. COPYRIGHT © 1974, DIGITAL EQUIPMENT CORPORATION.



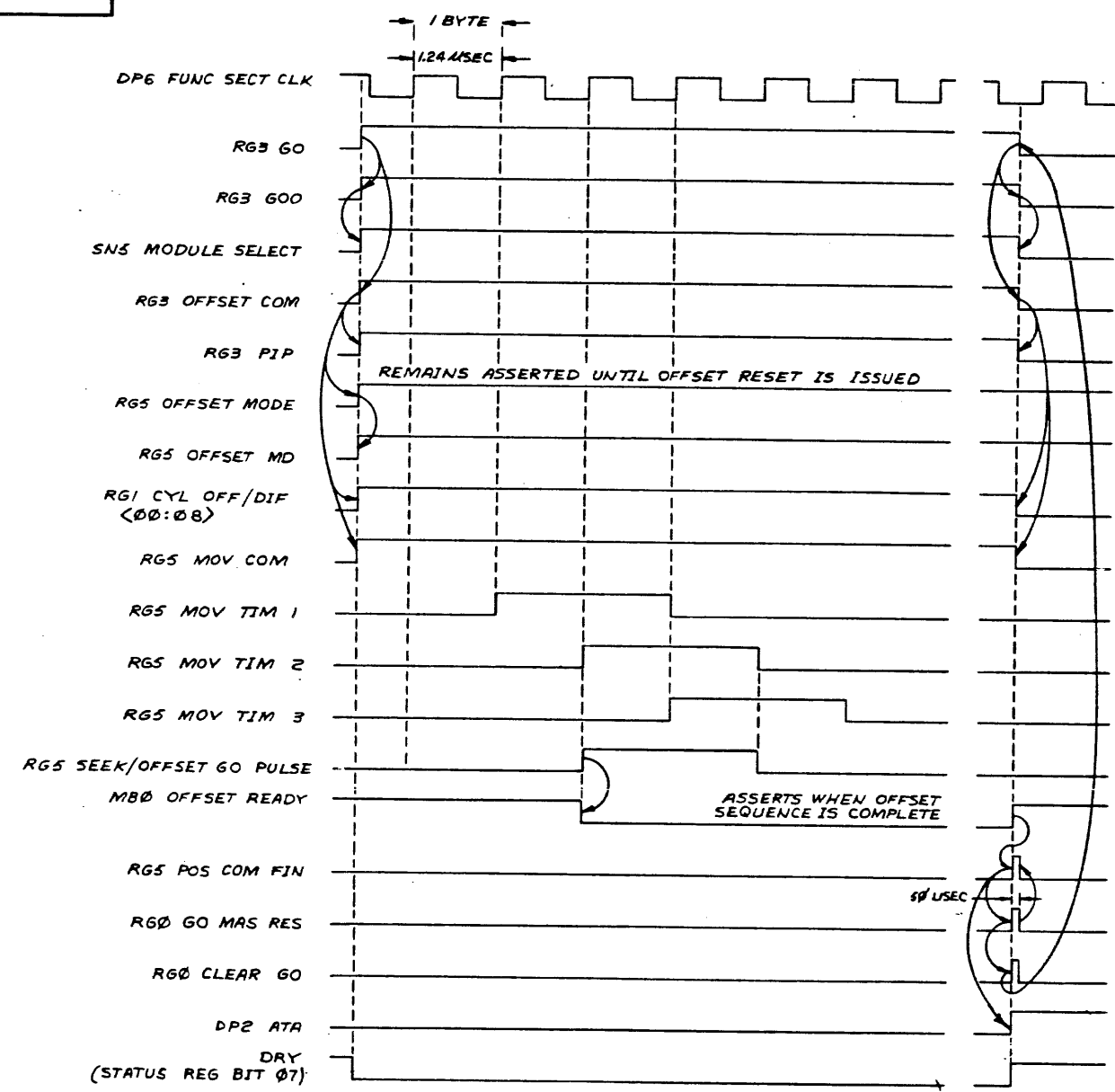
REV.	
CHANGE NO.	
CHK	

FIRST USED ON OPTION/MODEL		QTY.	DESCRIPTION	PART NO.	ITEM NO.
RP04					
DIMENSIONAL TOLERANCE		PARTS LIST			
DIMENSIONS ARE MILLIMETERS UNLESS OTHERWISE SPECIFIED		DRN. <i>Tora Metzger</i>	DATE 6/3/74	digital	
		CHK'D. <i>K. H. Norwala</i>	DATE 7/12/74		
		ENG. <i>P. Kaplan</i>	DATE 9/2/74	TITLE SEEK TIMING DIAGRAM	
		APPR. ENG. <i>P. Kaplan</i>	DATE 9/2/74		
		PROF. <i>P. Kaplan</i>	DATE 9/2/74	MATERIAL B-DD-RP04-0	
		DATE 9/2/74			
THIRD ANGLE PROJECTION		REMOVE BURRS AND BREAK SHARP CORNERS SURFACE QUALITY ✓	NEXT HIGHER ASSY.	SIZE CODE	NUMBER
				B-DD-RP04-0	DTDRP04-0-12
				SCALE	SHEET 1 OF 1
				DIST.	

DTDRP04-0-12

THIS DRAWING AND SPECIFICATIONS HEREIN ARE THE PROPERTY OF DIGITAL EQUIPMENT CORPORATION AND SHALL NOT BE REPRODUCED OR COPIED OR USED IN WHOLE OR IN PART AS THE BASIS FOR THE MANUFACTURE OR SALE OF ITEMS WITHOUT WRITTEN PERMISSION.
COPYRIGHT © 1974, DIGITAL EQUIPMENT CORPORATION

DTD RP04-0-13 2



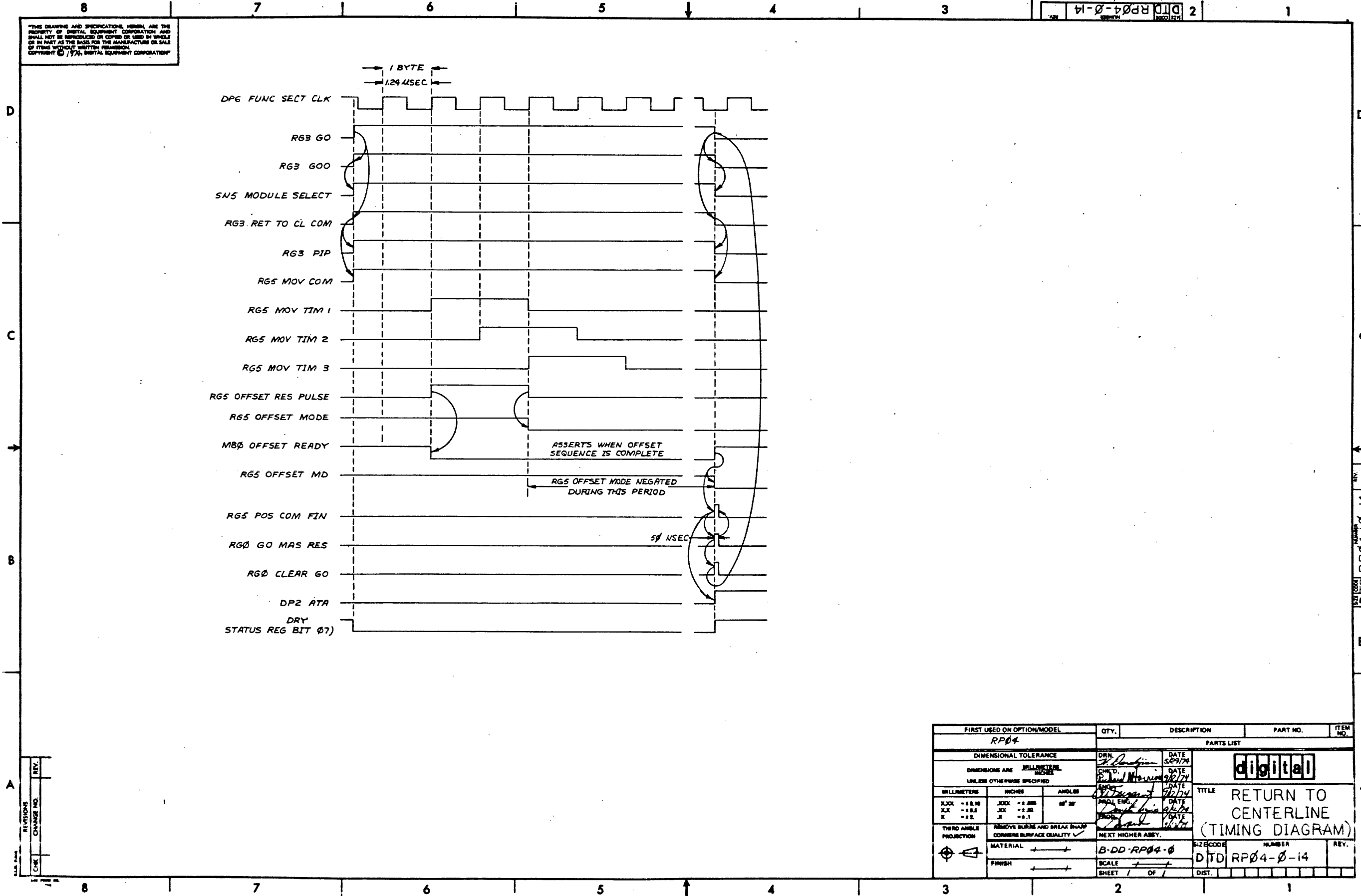
REV.	
CHANGE NO.	
CHK	
REVISORS	

FIRST USED ON OPTION/MODEL		QTY.	DESCRIPTION	PART NO.	ITEM NO.
RP04					
DIMENSIONAL TOLERANCE		PARTS LIST			
DIMENSIONS ARE MILLIMETERS UNLESS OTHERWISE SPECIFIED		DRN	DATE	digital	
		CHKD.	DATE	TITLE	
		ENG.	DATE	OFFSET TIMING DIAGRAM	
MILLIMETERS	MICRONS	AMILES			
X.XX ±0.10	XXX ±0.25	° 2'			
X.X ±0.5	XX ±0.5				
X ±2	X ±0.1				
THIRD ANGLE PROJECTION	REMOVE BURRS AND BREAK SHARP CORNERS SURFACE QUALITY	NEXT HIGHER ASSY.		SIZE CODE	NUMBER
				B-00-RP04-0	DTD RP04-0-13
		SCALE			REV.
		SHEET 1 OF 1			

DTD RP04-0-13

THIS DRAWING AND SPECIFICATIONS HEREIN ARE THE PROPERTY OF DIGITAL EQUIPMENT CORPORATION AND SHALL NOT BE REPRODUCED OR COPIED OR USED IN WHOLE OR IN PART AS THE BASIS FOR THE MANUFACTURE OR SALE OF ITEMS WITHOUT WRITTEN PERMISSION. COPYRIGHT © 1974, DIGITAL EQUIPMENT CORPORATION

REV. 1
DATE 10/14/74
DITD RP04-0-14

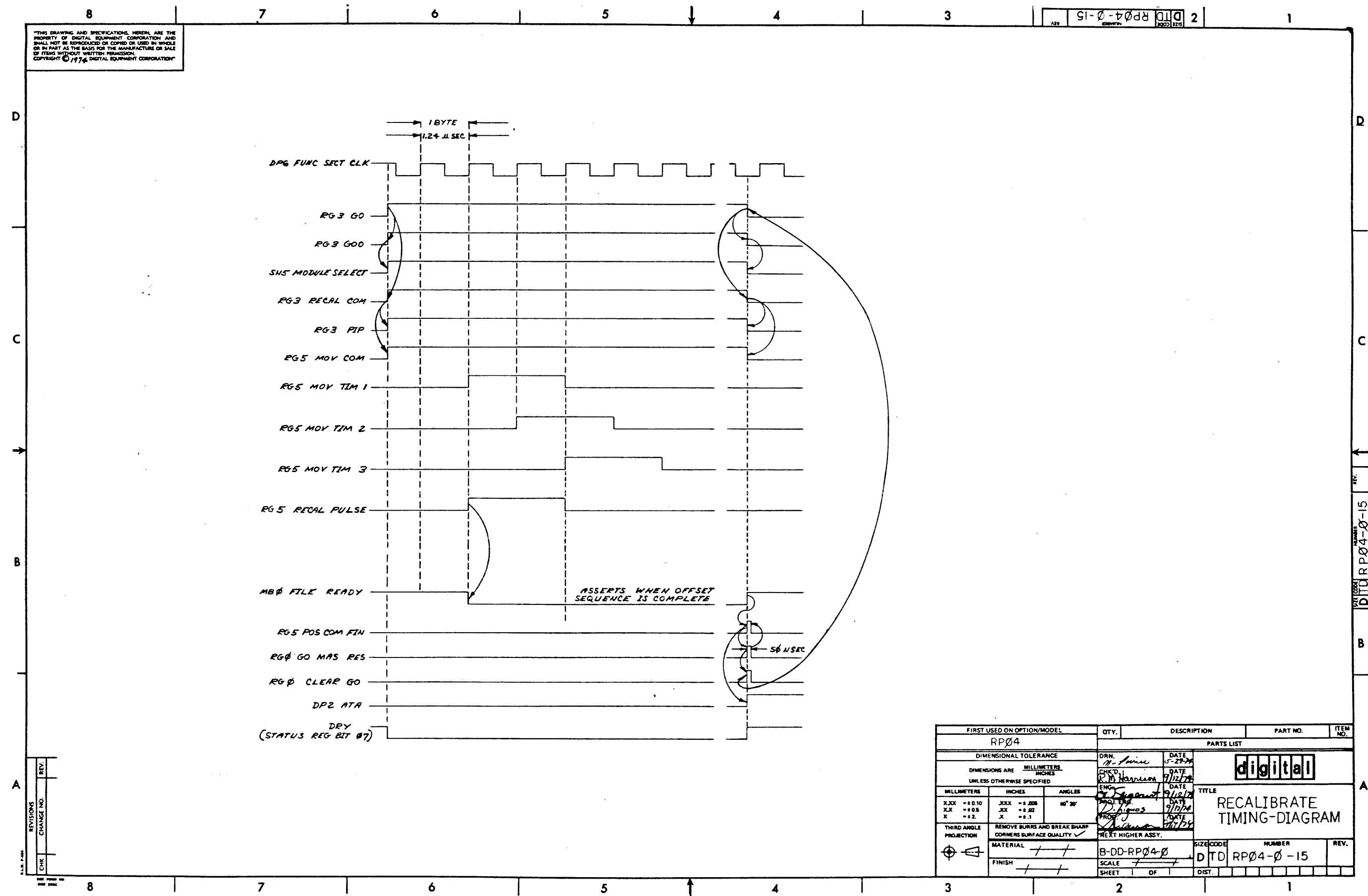


REV.	
CHANGE NO.	
CHECK	

FIRST USED ON OPTION/MODEL RP04		QTY.	DESCRIPTION	PART NO.	ITEM NO.
PARTS LIST					
DIMENSIONAL TOLERANCE		DRN.	DATE	digital	
DIMENSIONS ARE MILLIMETERS UNLESS OTHERWISE SPECIFIED		CHKD.	DATE	RETURN TO CENTERLINE (TIMING DIAGRAM)	
MILLIMETERS	INCHES	ANGLS	DATE		
±0.10	±0.005	±0.01	DATE		
±0.05	±0.002	±0.01	DATE		
±0.2	±0.1		DATE		
THIRD ANGLE PROJECTION	REMOVES BURRS AND BREAK SHARP CORNERS SURFACE QUALITY	NEXT HIGHER ASSY.		SIZE CODE	NUMBER
		B-DD-RP04-0		DITD	RP04-0-14
		SCALE	SHEET	DIST.	REV.
		1	OF 1		

"THIS DRAWING AND SPECIFICATIONS, HEREIN, ARE THE PROPERTY OF DIGITAL EQUIPMENT CORPORATION AND SHALL NOT BE REPRODUCED OR COPIED OR USED IN WHOLE OR IN PART AS THE BASIS FOR THE MANUFACTURE OR SALE OF ITEMS WITHOUT WRITTEN PERMISSION. COPYRIGHT © 1974 DIGITAL EQUIPMENT CORPORATION"

DTD RP04-0-15 2



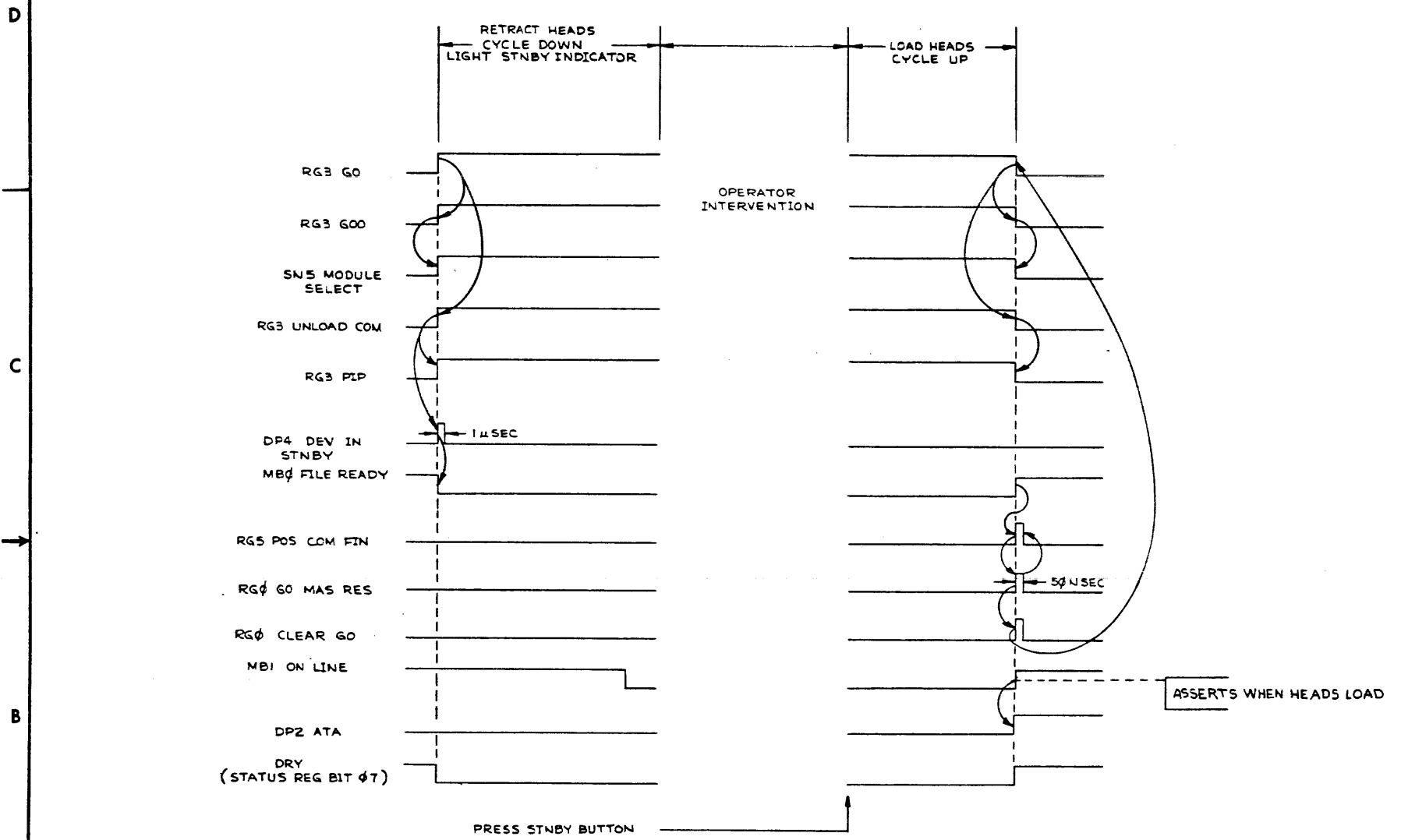
REV.	CHG.

FIRST USED ON OPTION/MODEL		QTY.	DESCRIPTION	PART NO.	ITEM NO.
RP04					
PARTS LIST					
DIMENSIONAL TOLERANCE		DRN.	DATE	digital	
DIMENSIONS ARE MILLIMETERS UNLESS OTHERWISE SPECIFIED		CHK'D.	DATE		
MILLIMETERS INCHES ANGLES		ENG.	DATE		
X.XX ±0.10	XXX ±0.006	90° 30'	9/18/74	TITLE	
X.X ±0.5	XX ±0.02		9/17/74	RECALIBRATE TIMING-DIAGRAM	
X ±2	X ±0.1		9/17/74	SIZE CODE NUMBER	
THIRD ANGLE PROJECTION	REMOVE BURRS AND BREAK SHARP CORNERS SURFACE QUALITY	NEXT HIGHER ASSY.		DIST.	
MATERIAL	FINISH	B-DD-RP040	SCALE	SHEET OF	
				REV.	

DTD RP04-0-15

THIS DRAWING AND SPECIFICATIONS HEREIN ARE THE PROPERTY OF DIGITAL EQUIPMENT CORPORATION AND SHALL NOT BE REPRODUCED OR COPIED OR USED IN WHOLE OR IN PART AS THE BASIS FOR THE MANUFACTURE OR SALE OF ITEMS WITHOUT WRITTEN PERMISSION. COPYRIGHT © 1974, DIGITAL EQUIPMENT CORPORATION.

DTDRP04-0-16 2



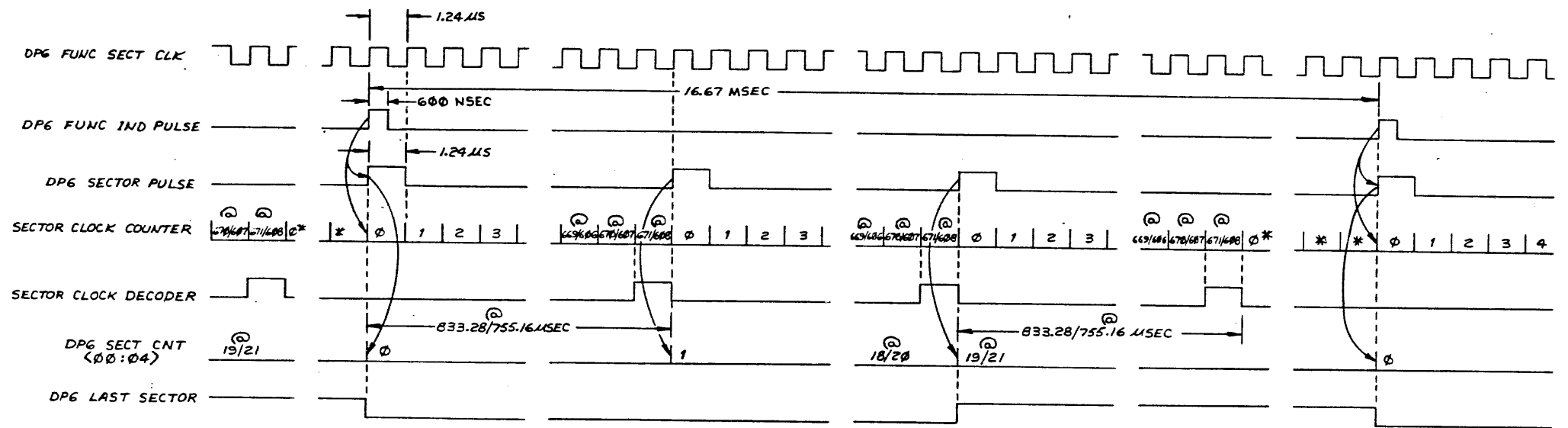
REV.	
CHG	
CHK	
REV.	

FIRST USED ON OPTION/MODEL		QTY.	DESCRIPTION	PART NO.	ITEM NO.
RP04					
DIMENSIONAL TOLERANCE		PARTS LIST			
DIMENSIONS ARE MILLIMETERS UNLESS OTHERWISE SPECIFIED		DRN. DATE	DATE	digital	
		CHK'D. DATE	DATE		
		ENG. DATE	DATE	TITLE	
		PROD. DATE	DATE	UNLOAD TIMING DIAGRAM	
THIRD ANGLE PROJECTION		NEXT HIGHER ASSY.		SIZE CODE	NUMBER
MATERIAL		B-DD-RP04-0		DTDRP04-0-16	REV.
FINISH		SCALE		DIST.	

REV. DTDRP04-0-16

THIS DRAWING AND SPECIFICATIONS HEREIN ARE THE PROPERTY OF DIGITAL EQUIPMENT CORPORATION AND SHALL NOT BE REPRODUCED OR COPIED OR USED IN WHOLE OR IN PART AS THE BASIS FOR THE MANUFACTURE OR SALE OF ITEMS WITHOUT WRITTEN PERMISSION. COPYRIGHT © 1974, DIGITAL EQUIPMENT CORPORATION

DTD RP04-0-17

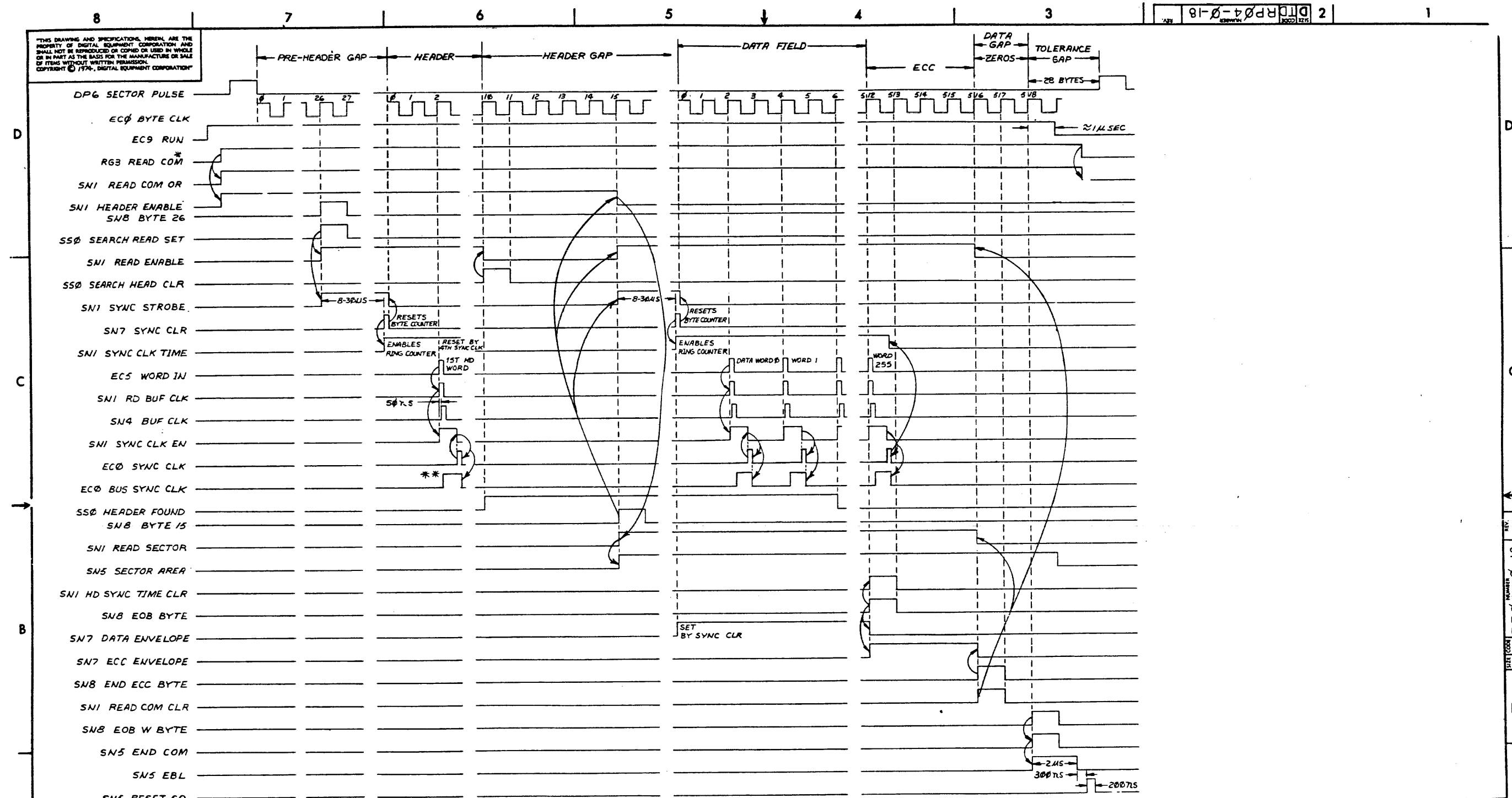


* EXTRA LEFTOVER SECTOR CLK COUNTS AFTER LAST SECTOR PULSE ARE IGNORED. COUNTER RESET BY INDEX PULSE
 @ 18 BIT FORMAT / 16 BIT FORMAT

FIRST USED ON OPTION/MODEL RP04			QTY.	DESCRIPTION	PART NO.	ITEM NO.
DIMENSIONAL TOLERANCE			PARTS LIST			
DIMENSIONS ARE MILLIMETERS UNLESS OTHERWISE SPECIFIED			DRN	DATE	digital	
MILLIMETERS			CHK'D	DATE	TITLE	
XXX ±0.10	XXX ±0.05	XXX ±0.02	ENG	DATE	SECTOR TIMING	
XX ±0.05	XX ±0.02	X ±0.1	PROJ	DATE	TIMING DIAGRAM	
THIRD ANGLE PROJECTION			NEXT HIGHER ASSY.			
REMOVE BURRS AND BREAK SHARP CORNERS SURFACE QUALITY			MATERIAL	B-DD-RP04-0	SIZE CODE	NUMBER
FINISH			SCALE	1 OF 1	DTD RP04-0-17	REV.
			SHEET	1 OF 1	DIST.	

DTD RP04-0-17

THIS DRAWING AND SPECIFICATIONS HEREIN ARE THE PROPERTY OF DIGITAL EQUIPMENT CORPORATION AND SHALL NOT BE REPRODUCED OR COPIED OR USED IN WHOLE OR IN PART AS THE BASIS FOR THE MANUFACTURE OR SALE OF ITEMS WITHOUT WRITTEN PERMISSION. COPYRIGHT © 1974, DIGITAL EQUIPMENT CORPORATION

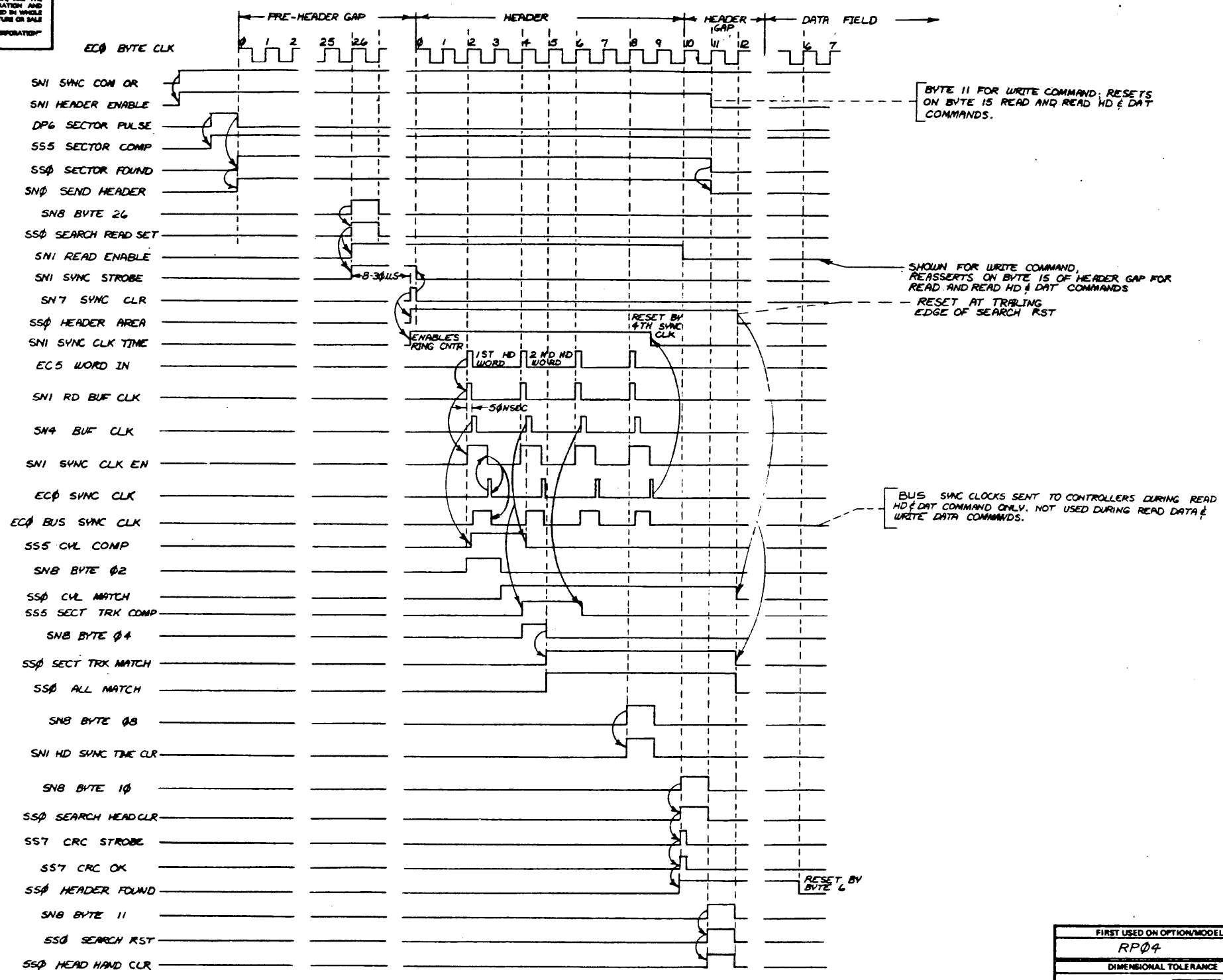


* OR RG3 READ HD DT COM
 ** FOUR BUS SYNC CLK'S IN HEADER AREA IN READ HEADER AND DATA COMMAND ONLY

REV.	NO.
CHK.	

FIRST USED ON OPTION/MODEL		QTY.	DESCRIPTION	PART NO.	ITEM NO.
RP04					
DIMENSIONAL TOLERANCE		PARTS LIST			
DIMENSIONS ARE MILLIMETERS UNLESS OTHERWISE SPECIFIED		URN	DATE	digital	
		CHK'D	DATE		
		ENG.	DATE		
		DRG. ENG.	DATE		
		PROG.	DATE		
THIRD ANGLE PROJECTION		REMOVE BURRS AND BREAK SHARP CORNERS SURFACE QUALITY		NEXT HIGHER ASSY.	
MATERIAL		FINISH		SIZE CODE	NUMBER
				B-DD-RP04-0	DTDRP04-0-18
				SCALE	SHEET 1 OF 1
				DIST.	

THIS DRAWING AND SPECIFICATIONS HEREIN ARE THE PROPERTY OF DIGITAL EQUIPMENT CORPORATION AND SHALL NOT BE REPRODUCED OR COPIED OR USED IN WHOLE OR IN PART AS THE BASIS FOR THE MANUFACTURE OR SALE OF ITEMS WITHOUT WRITTEN PERMISSION. COPYRIGHT © 1974, DIGITAL EQUIPMENT CORPORATION

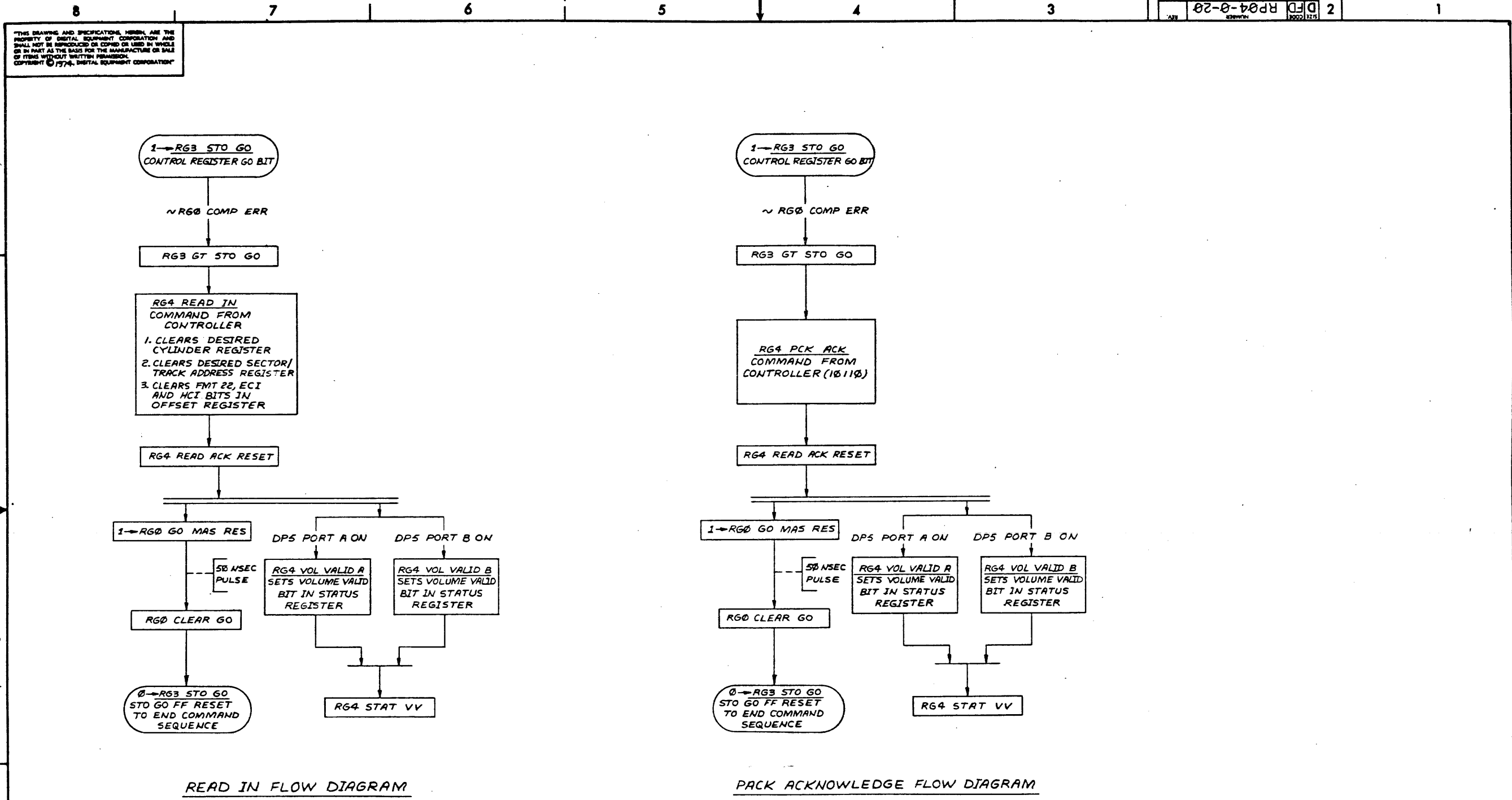


FIRST USED ON OPTION/MODEL		QTY.	DESCRIPTION	PART NO.	ITEM NO.
RP04					
DIMENSIONAL TOLERANCE			PARTS LIST		
DIMENSIONS ARE INCHES UNLESS OTHERWISE SPECIFIED			DRN. <i>R. Amant</i>	DATE <i>8/22/74</i>	digital
			CHK'D. <i>R.M. Harrison</i>	DATE <i>9/12/74</i>	
MILLIMETERS	INCHES	ANGLES	ENG. <i>Klaus Klein</i>	DATE <i>9/12/74</i>	TITLE HEADER COMPARE DETAILED TIMING
XXX - 0.015	JXX - 0.008	XX' 30'	PROL ENG. <i>John Sigros</i>	DATE <i>11/1/74</i>	
XX - 0.008	JX - 0.005	X - 0.1	PRICE <i>W. G. ...</i>	DATE <i>9/12/74</i>	
THIRD ANGLE PROJECTION	REMOVE BURRS AND BREAK SHARP CORNERS SURFACE QUALITY		NEXT HIGHER ASSY.		
	MATERIAL	B-DD-RP04-0	SIZE CODE	NUMBER	REV.
	FINISH		D TD	RP04-0-19	
		SCALE 1 OF 1	SHEET		

REVISIONS
CHANGE NO. REV.

REV. NO. RP04-0-19

THIS DRAWING AND SPECIFICATIONS HEREIN ARE THE PROPERTY OF DIGITAL EQUIPMENT CORPORATION AND SHALL NOT BE REPRODUCED OR COPIED OR USED IN WHOLE OR IN PART AS THE BASIS FOR THE MANUFACTURE OR SALE OF ITEMS WITHOUT WRITTEN PERMISSION. COPYRIGHT © 1974, DIGITAL EQUIPMENT CORPORATION



READ IN FLOW DIAGRAM

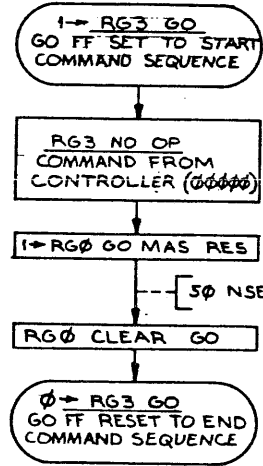
PACK ACKNOWLEDGE FLOW DIAGRAM

REV.	CHG.	DATE

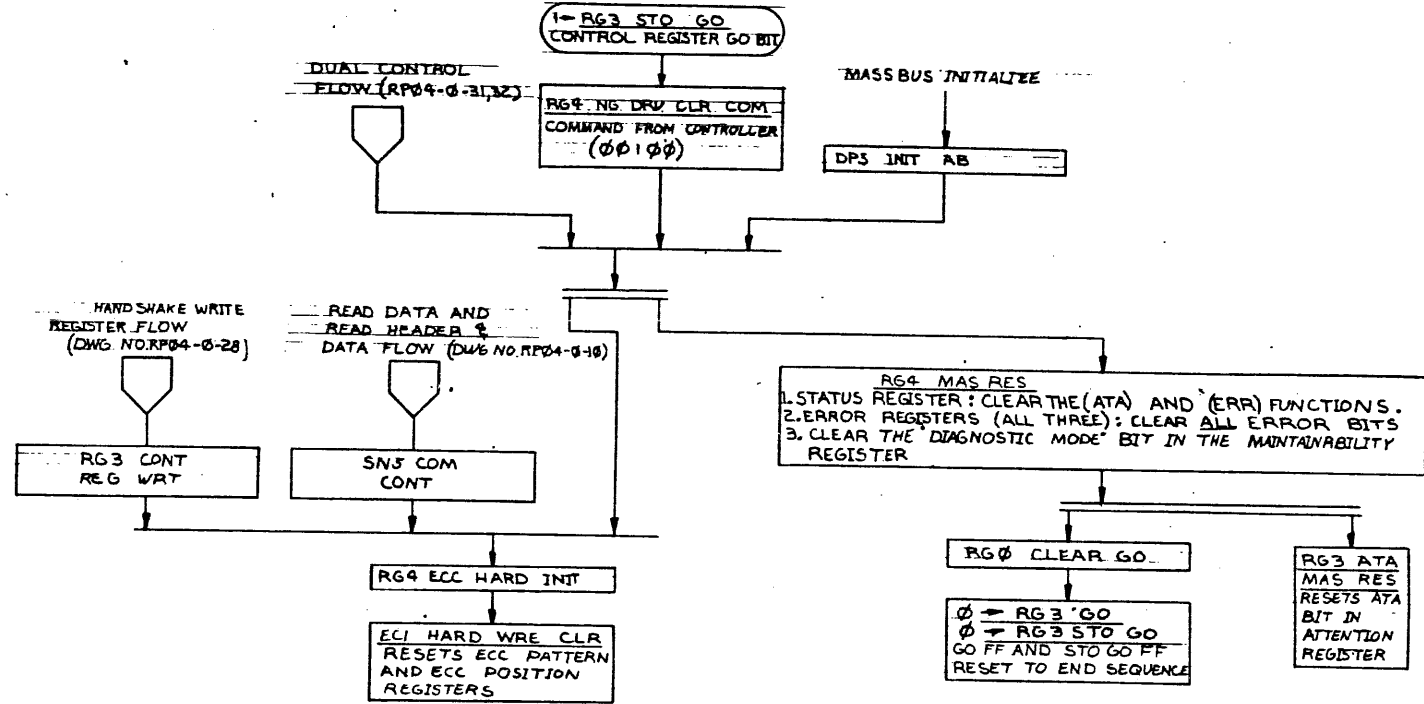
FIRST USED ON OPTION/MODEL		QTY.	DESCRIPTION	PART NO.	ITEM NO.
RP04					
DIMENSIONAL TOLERANCE		PARTS LIST			
DIMENSIONS ARE MILLIMETERS UNLESS OTHERWISE SPECIFIED		digital			
MILLIMETERS	INCHES	ANGLES	TITLE		
X,XX ±0.10	XXX ±0.008	90° 30'	READ IN, PACK ACKNOWLEDGE (FLOW DIAGRAMS)		
X,X ±0.5	JX ±0.00		DATE		
X ±2.	X ±0.1		DATE		
THIRD ANGLE PROJECTION	REMOVE BURRS AND BREAK SHARP CORNERS SURFACE QUALITY	NEXT HIGHER ASSY.	DATE		
	MATERIAL	SCALE	SIZE	CODE	NUMBER
		B-DD-RP04-0	D	FD	RP04-0-20
	FINISH	SHEET 1 OF 1	REV.		

THIS DRAWING AND SPECIFICATIONS, HEREIN, ARE THE PROPERTY OF DIGITAL EQUIPMENT CORPORATION AND SHALL NOT BE REPRODUCED OR COPIED OR USED IN WHOLE OR IN PART AS THE BASIS FOR THE MANUFACTURE OR SALE OF ITEMS WITHOUT WRITTEN PERMISSION. COPYRIGHT © 1975, DIGITAL EQUIPMENT CORPORATION

REV. 2 DFD RP04-0-21



NO OP FLOW DIAGRAM



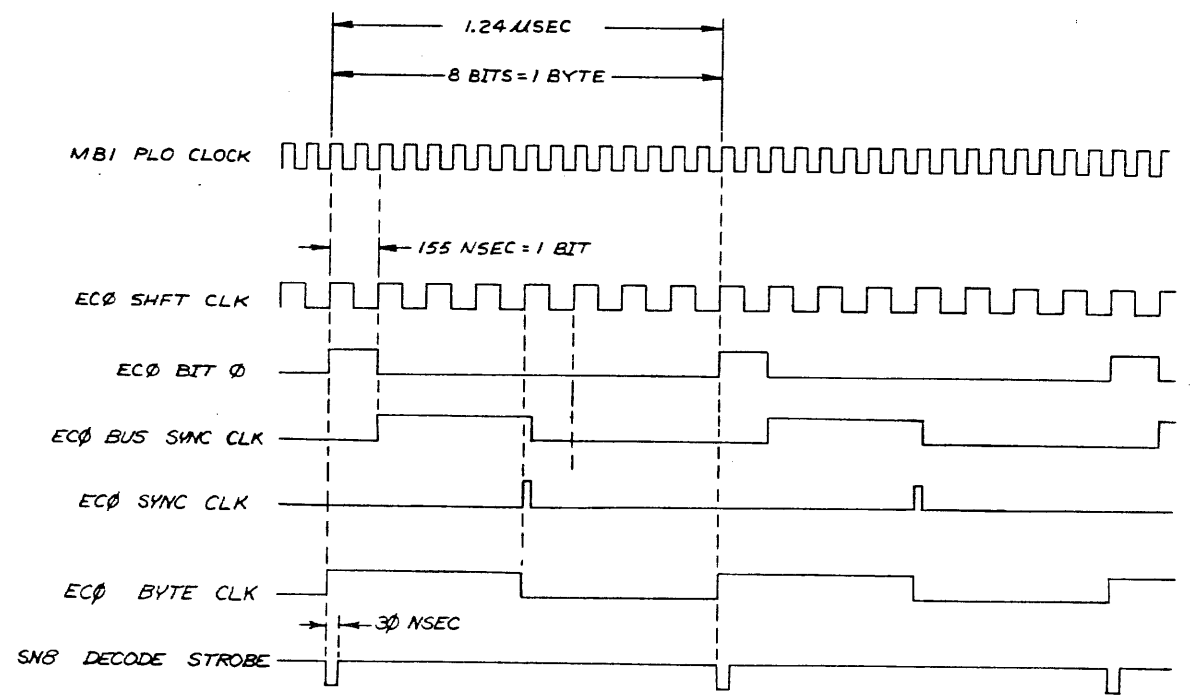
NG DRIVE CLEAR FLOW DIAGRAM

REV.	
CHANGE NO.	
REVISIONS	

FIRST USED ON OPTION/MODEL RP04	QTY.	DESCRIPTION	PART NO.	ITEM NO.
PARTS LIST				
DIMENSIONAL TOLERANCE		DRN	DATE	
DIMENSIONS ARE MILLIMETERS UNLESS OTHERWISE SPECIFIED		CHK'D	DATE	
MILLIMETERS		ENG.	DATE	
INCHES	ANGLES	PROV.	DATE	
THIRD ANGLE PROJECTION	REMOVE BURRS AND BREAK SHARP CORNERS SURFACE QUALITY	MATERIAL	FINISH	
NEXT HIGHER ASSY.		TITLE		
SCALE NONE		NO OP; NG DRIVE CLEAR (FLOW DIAGRAMS)		
SHEET 1 OF 1		SIZE CODE	NUMBER	REV.
		DFD	RP04-0-21	

REV. 2 DFD RP04-0-21

"THIS DRAWING AND SPECIFICATIONS HEREIN ARE THE PROPERTY OF DIGITAL EQUIPMENT CORPORATION AND SHALL NOT BE REPRODUCED OR COPIED OR USED IN WHOLE OR IN PART AS THE BASIS FOR THE MANUFACTURE OR SALE OF ITEMS WITHOUT WRITTEN PERMISSION. COPYRIGHT © 1974, DIGITAL EQUIPMENT CORPORATION"

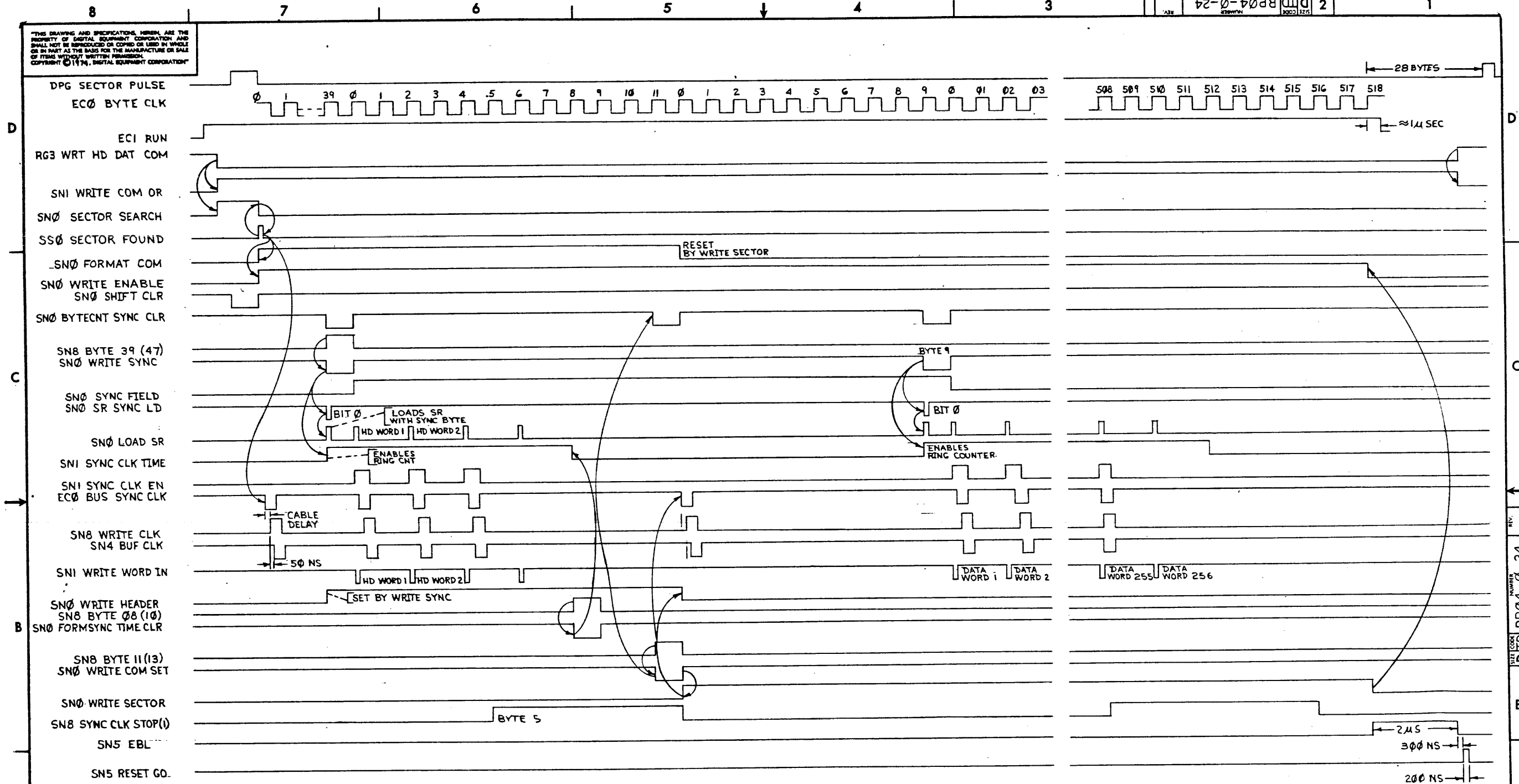


REV.	CHANGE NO.

FIRST USED ON OPTION/MODEL		QTY.	DESCRIPTION	PART NO.	ITEM NO.
RP04					
PARTS LIST					
DIMENSIONAL TOLERANCE		DRN.	DATE		
DIMENSIONS ARE MILLIMETERS INCHES UNLESS OTHERWISE SPECIFIED		CHK'D.	DATE		
MILLIMETERS	INCHES	ANGLES	DATE		
XXX = ±0.10	JXX = ±.008	30° 30'	DATE		
XX = ±0.5	JX = ±.02		DATE	TITLE	
X = ±2.	X = ±.1		DATE	SYNC CLOCK/BYTE CLOCK GENERATOR (TIMING DIAGRAM)	
THIRD ANGLE PROJECTION	REMOVE BURRS AND BREAK SHARP CORNERS SURFACE QUALITY	NEXT HIGHER ASSY.		SIZE CODE	NUMBER
				B-DD-RP04-0	D TD RP04-0-23
				SCALE	REV.
				SHEET 1 OF 1	

THIS DRAWING AND SPECIFICATIONS HEREIN ARE THE PROPERTY OF DIGITAL EQUIPMENT CORPORATION AND SHALL NOT BE REPRODUCED OR COPIED OR USED IN WHOLE OR IN PART AS THE BASIS FOR THE MANUFACTURE OR SALE OF ITEMS WITHOUT WRITTEN PERMISSION. COPYRIGHT © 1974, DIGITAL EQUIPMENT CORPORATION

REV. 2
DITD RP04-0-24
NUMBER 3000 1225

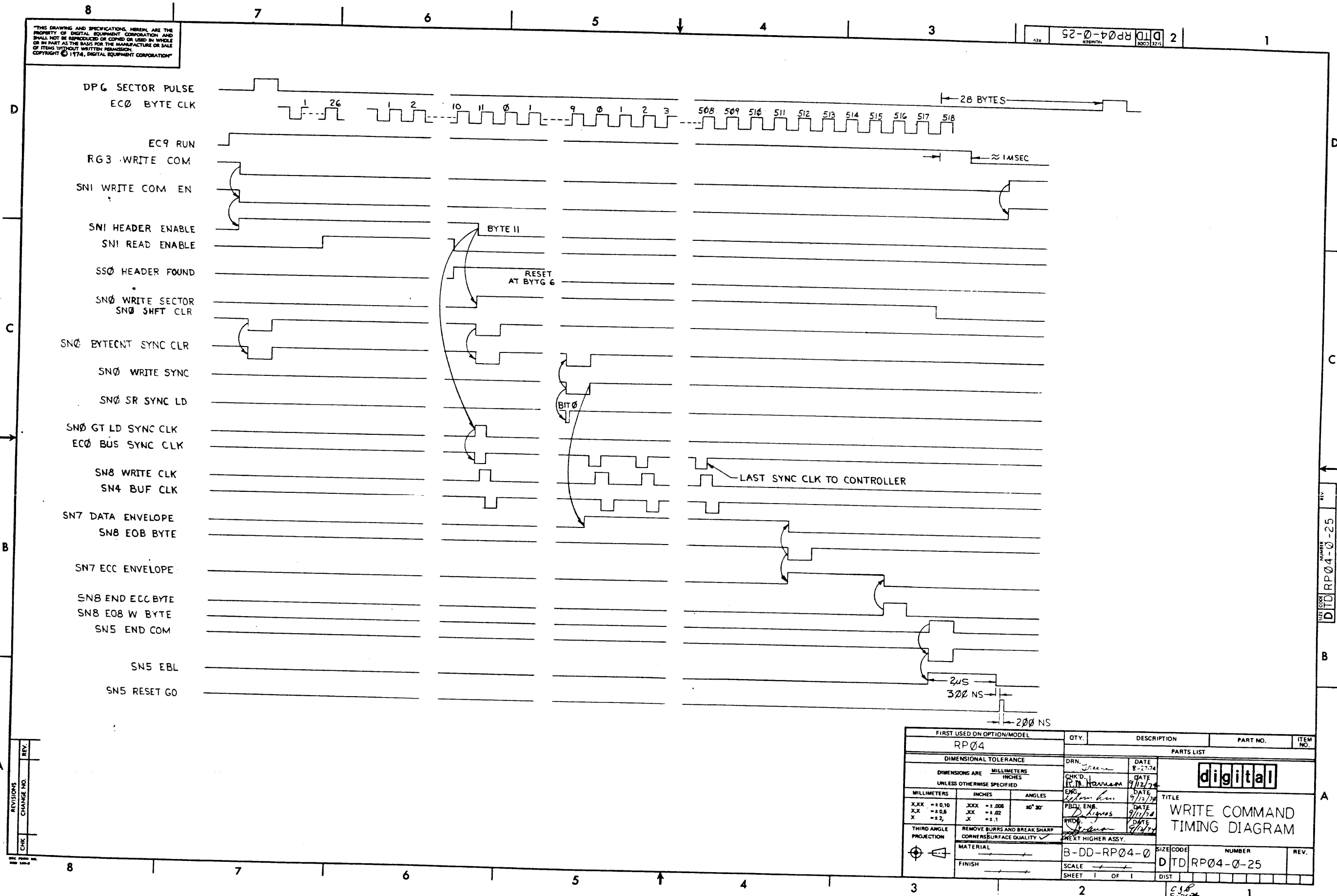


REV.	CHANGE NO.	REVISIONS
1		CHK

FIRST USED ON OPTION/MODEL RP04		QTY.	DESCRIPTION	PART NO.	ITEM NO.											
DIMENSIONAL TOLERANCE DIMENSIONS ARE MILLIMETERS UNLESS OTHERWISE SPECIFIED		PARTS LIST														
MILLIMETERS XJX ±0.10 XK ±0.05 X ±0.2		<table border="1"> <tr> <td>DRN.</td> <td>DATE</td> <td rowspan="5"> </td> </tr> <tr> <td>CHK'D</td> <td>DATE</td> </tr> <tr> <td>ENG.</td> <td>DATE</td> </tr> <tr> <td>PROL. ENG.</td> <td>DATE</td> </tr> <tr> <td>PROF.</td> <td>DATE</td> </tr> </table>				DRN.	DATE		CHK'D	DATE	ENG.	DATE	PROL. ENG.	DATE	PROF.	DATE
DRN.	DATE															
CHK'D	DATE															
ENG.	DATE															
PROL. ENG.	DATE															
PROF.	DATE															
THIRD ANGLE PROJECTION		TITLE WRITE HEADER AND DATA (TIMING DIAGRAM)														
MATERIAL		NEXT HIGHER ASSY.														
FINISH		B-DD-RP04-0														
		SCALE														
		SHEET 1 OF 1														
		SIZE CODE DITD RP04-0-24														
		NUMBER 1														
		REV.														

THIS DRAWING AND SPECIFICATIONS HEREIN ARE THE PROPERTY OF DIGITAL EQUIPMENT CORPORATION AND SHALL NOT BE REPRODUCED OR COPIED OR USED IN WHOLE OR IN PART AS THE BASIS FOR THE MANUFACTURE OR SALE OF ITEMS WITHOUT WRITTEN PERMISSION. COPYRIGHT © 1974, DIGITAL EQUIPMENT CORPORATION

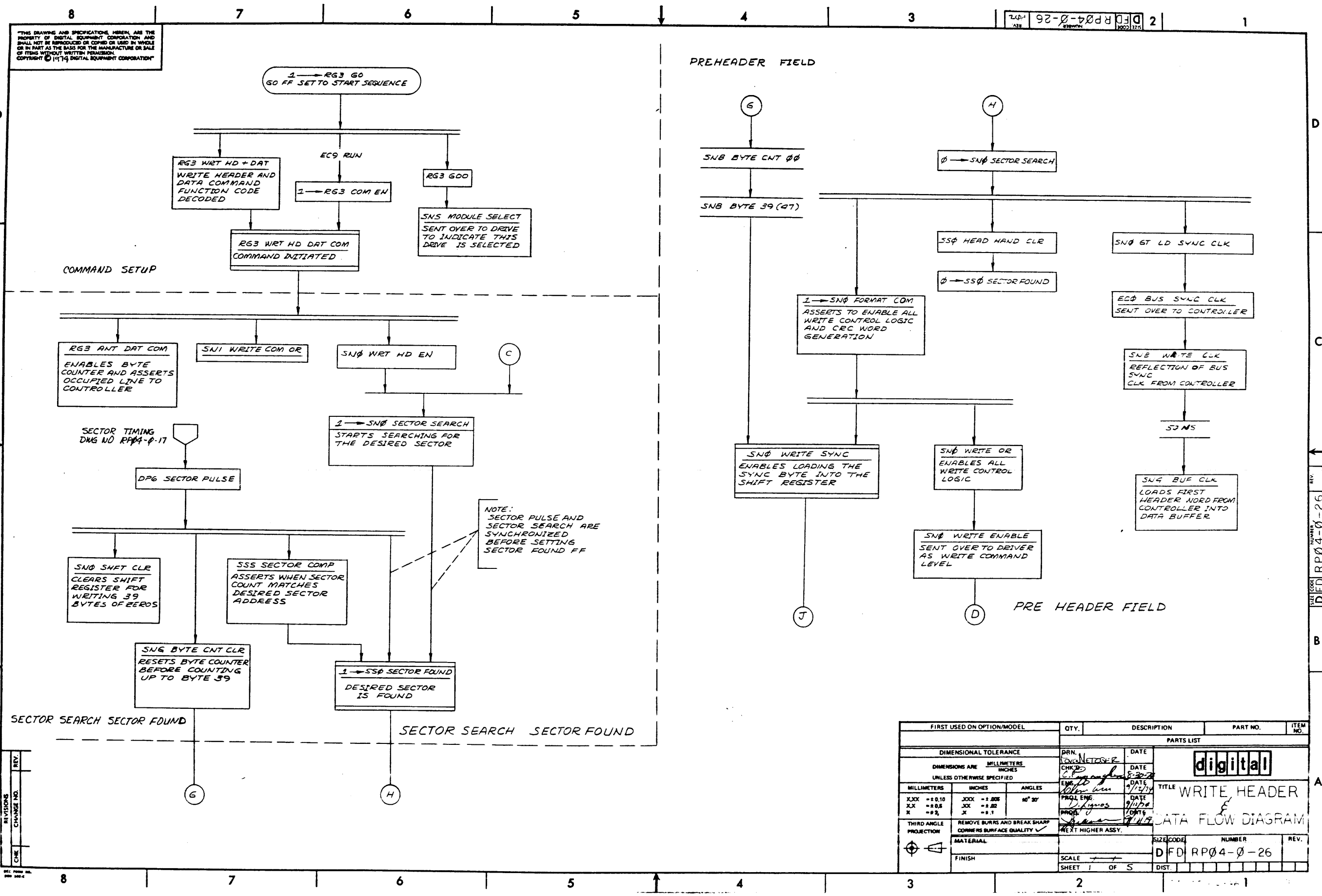
REV. 2
 DTD RP04-0-25
 3000 02/74



REV.	
CHANGE NO.	
CHK	

FIRST USED ON OPTION/MODEL RP04		QTY.	DESCRIPTION	PART NO.	ITEM NO.
DIMENSIONAL TOLERANCE		PARTS LIST			
DIMENSIONS ARE MILLIMETERS UNLESS OTHERWISE SPECIFIED		DRN. <i>W. H. ...</i>	DATE 8-27-74		
		CHK'D. <i>P. M. ...</i>	DATE 9/12/74		
		ENG. <i>W. H. ...</i>	DATE 9/12/74		
		PROJ. ENG. <i>P. M. ...</i>	DATE 9/12/74		
THIRD ANGLE PROJECTION		REMOVE BURRS AND BREAK SHARP CORNERS SURFACE QUALITY	DATE 9/12/74	TITLE WRITE COMMAND TIMING DIAGRAM	
MATERIAL		B-DD-RP04-0	SIZE CODE	NUMBER	REV.
FINISH			SCALE	DTD RP04-0-25	
		SHEET 1 OF 1	DIST		

REV. 2
 DTD RP04-0-25
 3000 02/74



"THIS DRAWING AND SPECIFICATIONS HEREIN ARE THE PROPERTY OF DIGITAL EQUIPMENT CORPORATION AND SHALL NOT BE REPRODUCED OR COPIED OR USED IN WHOLE OR IN PART AS THE BASIS FOR THE MANUFACTURE OR SALE OF ITEMS WITHOUT WRITTEN PERMISSION. COPYRIGHT © 1974 DIGITAL EQUIPMENT CORPORATION"

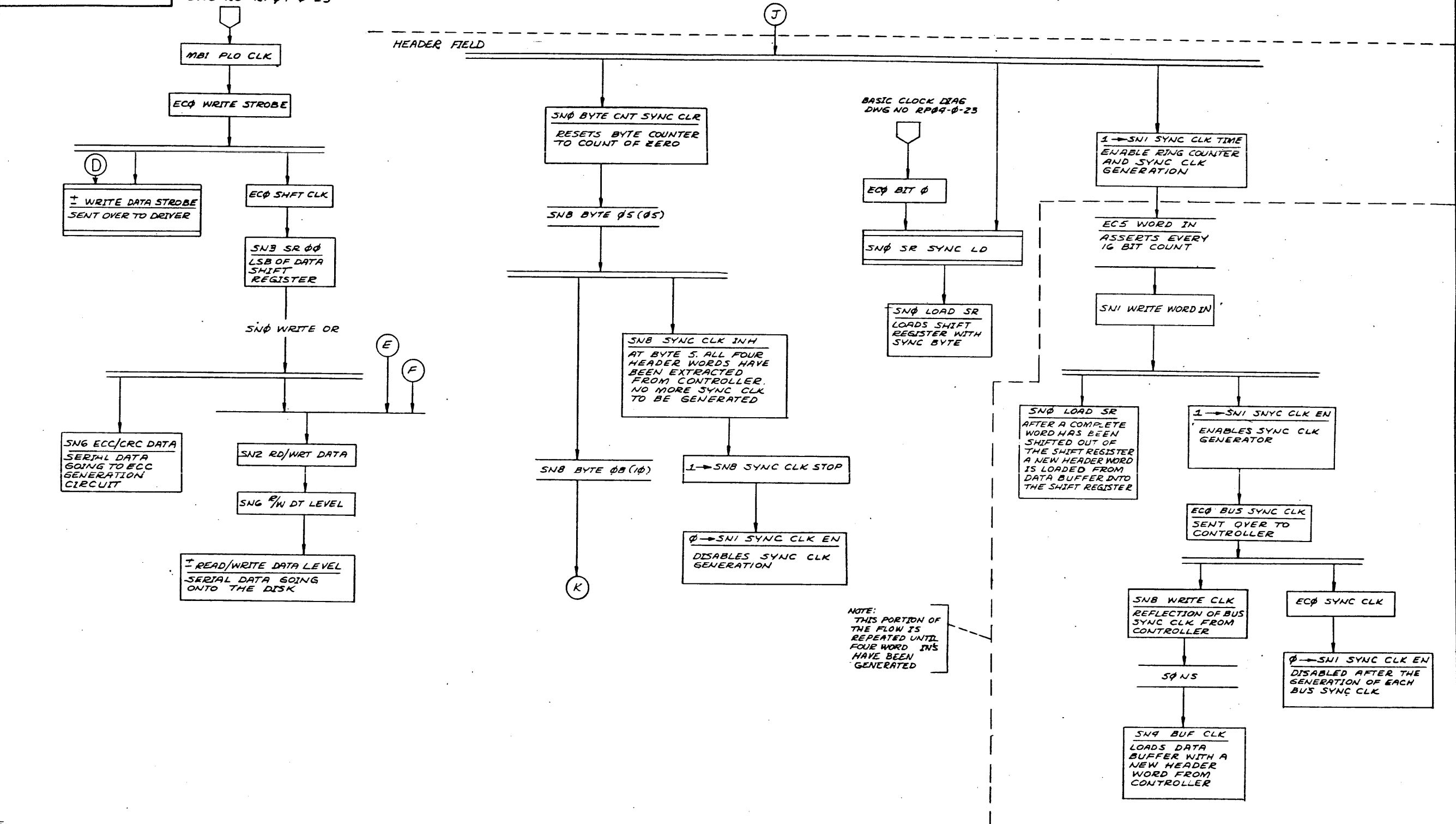
201 92-0-26 2

FIRST USED ON OPTION/MODEL	QTY.	DESCRIPTION	PART NO.	ITEM NO.
PARTS LIST				
DIMENSIONAL TOLERANCE		PRN. DATE	digital	
DIMENSIONS ARE MILLIMETERS INCHES UNLESS OTHERWISE SPECIFIED		CHK'D DATE		
MILLIMETERS	INCHES	ANGLES	TITLE WRITE HEADER	
XJXX ±0.10 XX ±0.05 X ±0.2	JXX ±0.005 JX ±0.02 X ±0.1	90° 30'	DATE 9/14/74	
THIRD ANGLE PROJECTION		REMOVE BURRS AND BREAK SHARP CORNERS SURFACE QUALITY	DATE 9/17/74	
MATERIAL		NEXT HIGHER ASSY.	DATA FLOW DIAGRAM	
FINISH		SCALE 1 OF 5	PART NO. DFD RP04-0-26	
		SHEET 1 OF 5	REV.	

REV. DFD RP04-0-26

THIS DRAWING AND SPECIFICATIONS HEREIN ARE THE PROPERTY OF DIGITAL EQUIPMENT CORPORATION AND SHALL NOT BE REPRODUCED OR COPIED OR USED IN WHOLE OR IN PART AS THE BASIS FOR THE MANUFACTURE OR SALE OF ITEMS WITHOUT WRITTEN PERMISSION. COPYRIGHT © 1974 DIGITAL EQUIPMENT CORPORATION

BASIC CLOCK DIAG
DWG NO RP04-0-23

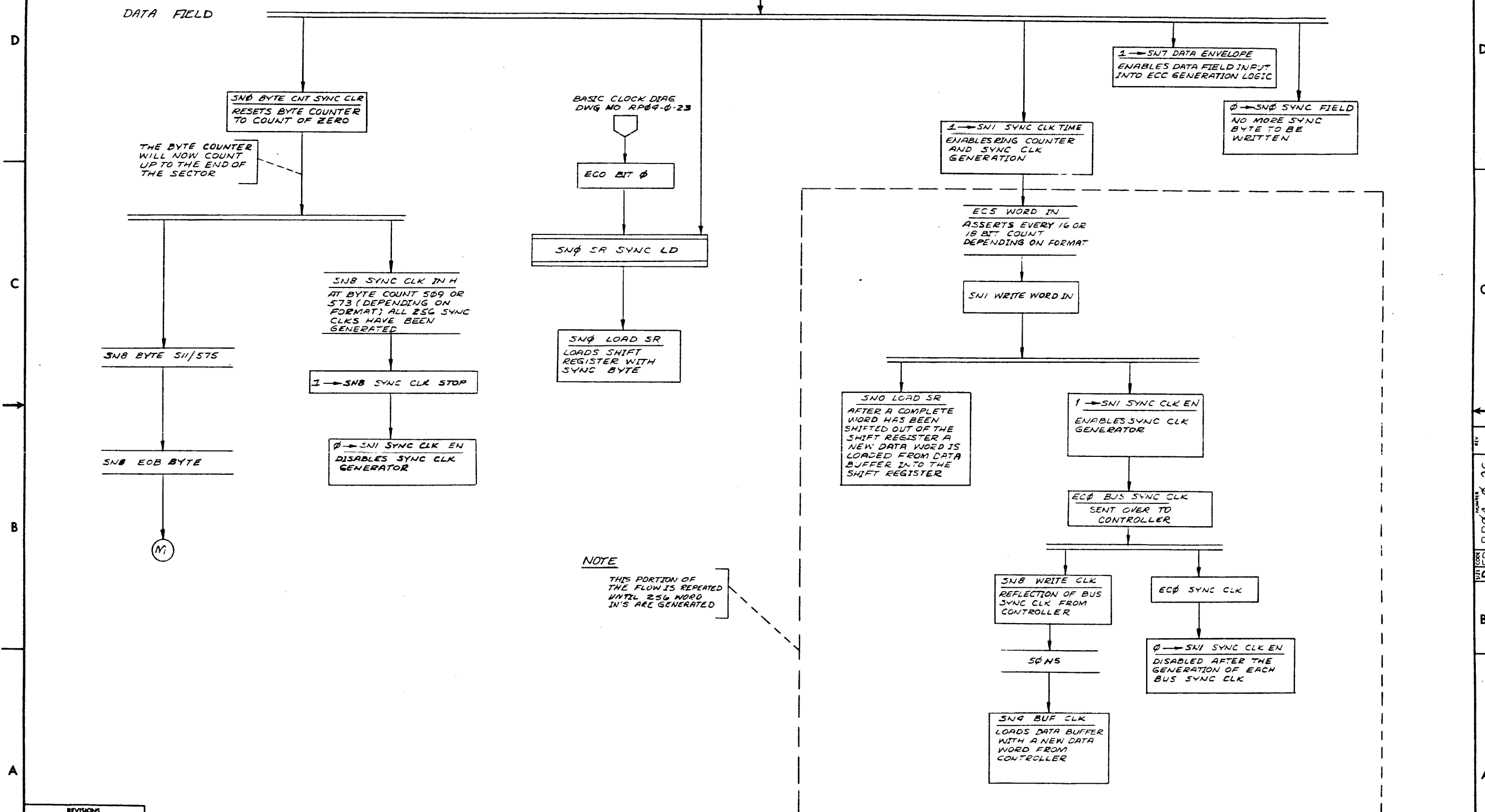


NOTE: THIS PORTION OF THE FLOW IS REPEATED UNTIL FOUR WORD IN'S HAVE BEEN GENERATED

DFD RP04-0-26

REVISIONS		
CHK	CHANGE NO.	REV.

THIS DRAWING AND SPECIFICATIONS, HEREIN, ARE THE PROPERTY OF DIGITAL EQUIPMENT CORPORATION AND SHALL NOT BE REPRODUCED OR COPIED OR USED IN WHOLE OR IN PART AS THE BASIS FOR THE MANUFACTURE OR SALE OF ITEMS WITHOUT WRITTEN PERMISSION. COPYRIGHT © 1974 DIGITAL EQUIPMENT CORPORATION



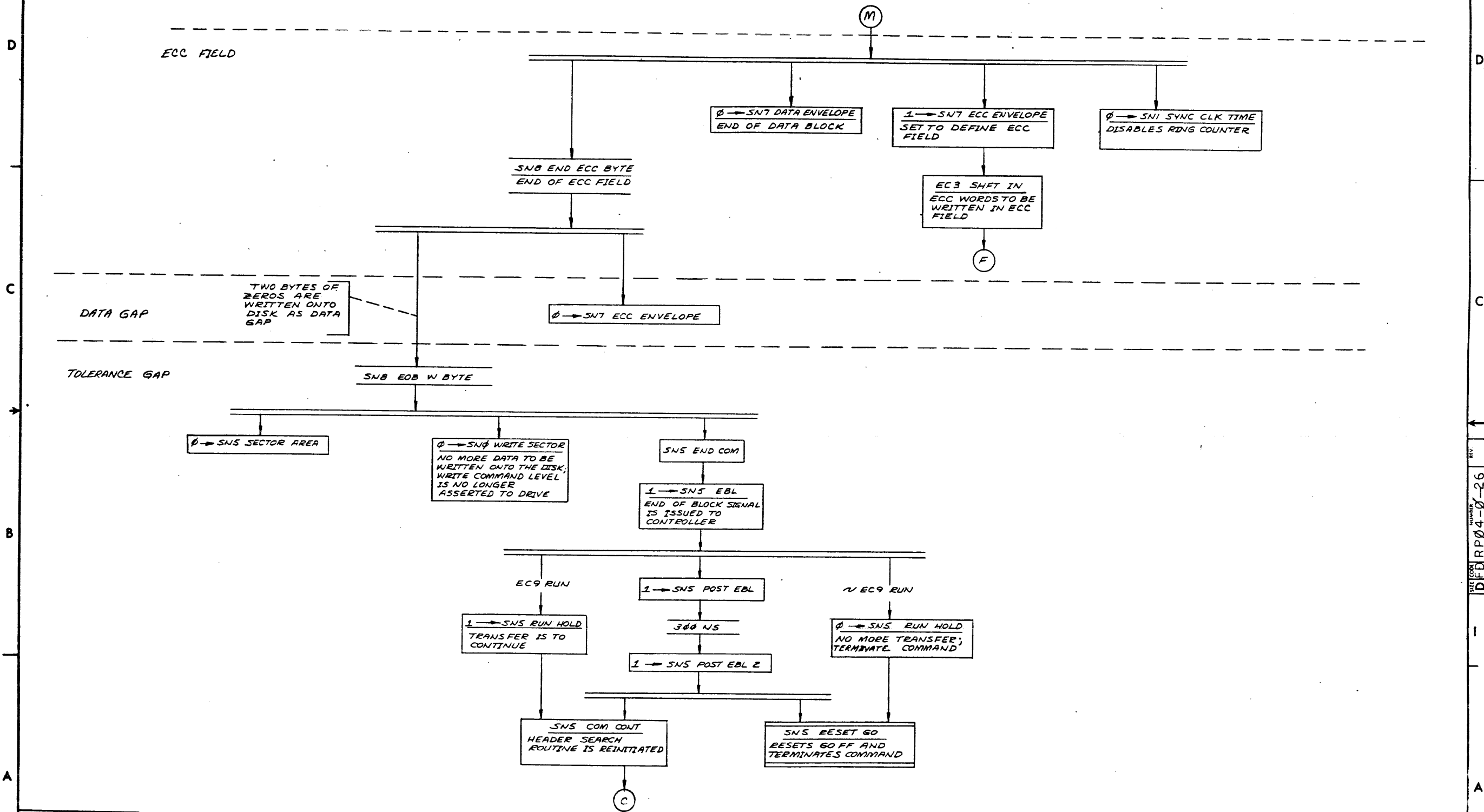
NOTE
THIS PORTION OF
THE FLOW IS REPEATED
UNTIL 256 WORD
IN'S ARE GENERATED

REVISIONS		
CHK	CHANGE NO	REV.

REV. 2 DFD RP04-0-26

THIS DRAWING AND SPECIFICATIONS HEREIN ARE THE PROPERTY OF DIGITAL EQUIPMENT CORPORATION AND SHALL NOT BE REPRODUCED OR COPIED OR USED IN WHOLE OR IN PART AS THE BASIS FOR THE MANUFACTURE OR SALE OF ITEMS WITHOUT WRITTEN PERMISSION. COPYRIGHT © 1974 DIGITAL EQUIPMENT CORPORATION

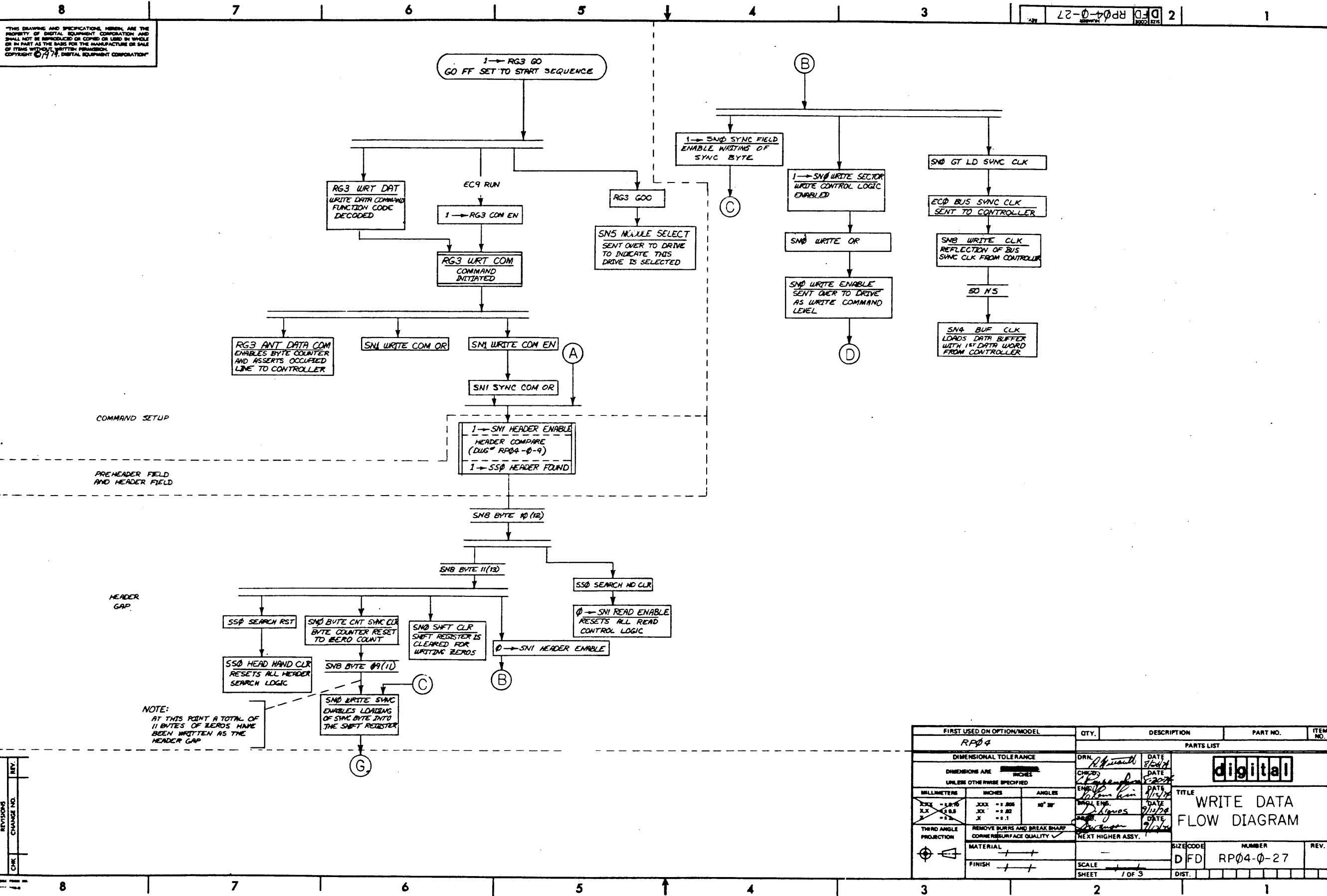
DFD RP04-0-26 2



REVISIONS		
CHK	CHANGE NO.	REV.

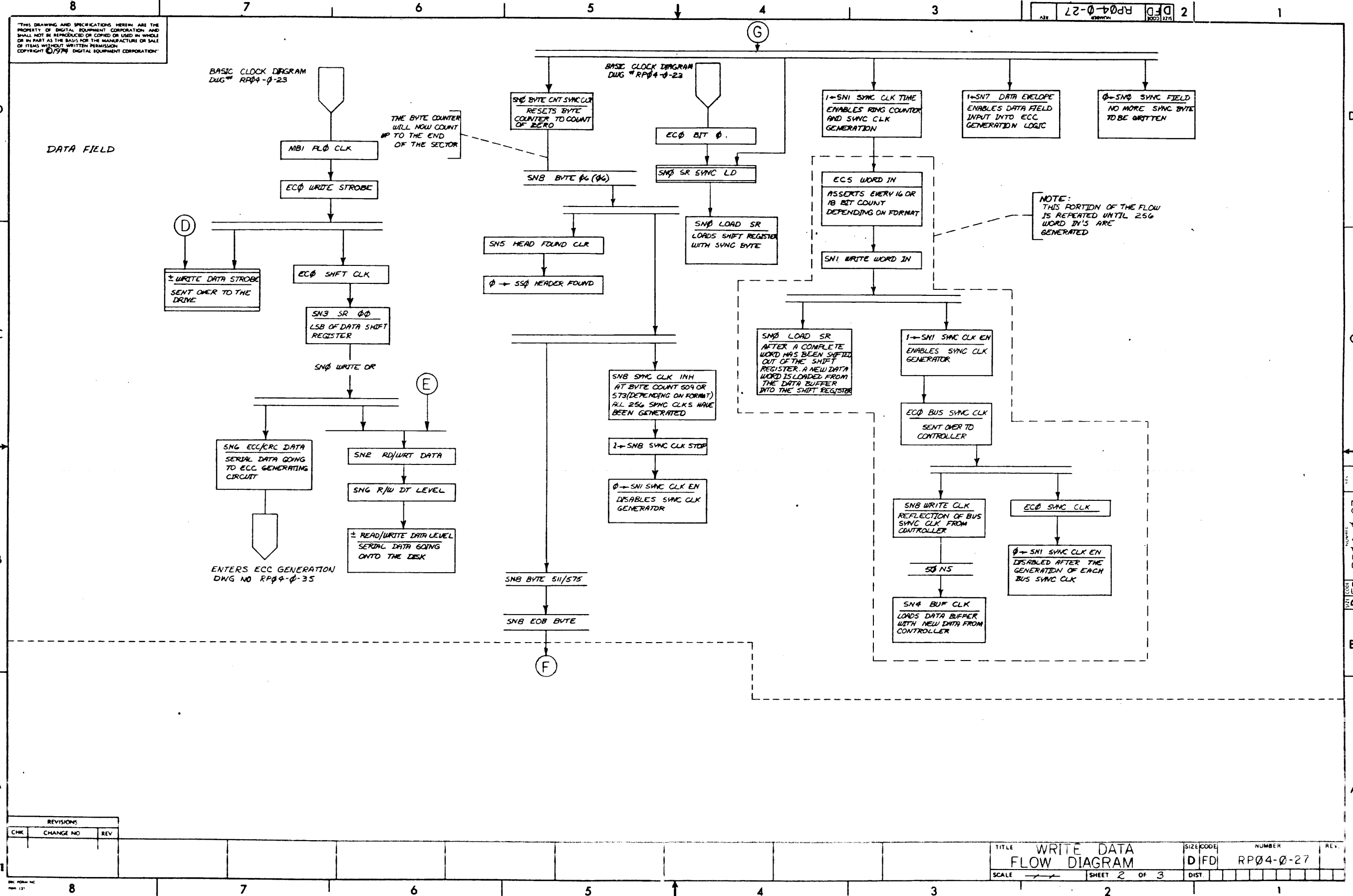
TITLE WRITE HEADER DATA FLOW DIAGRAM
 SCALE SHEET 3 OF 5
 SIZE CODE NUMBER REV.
 DFD RP04-0-26

DFD RP04-0-26



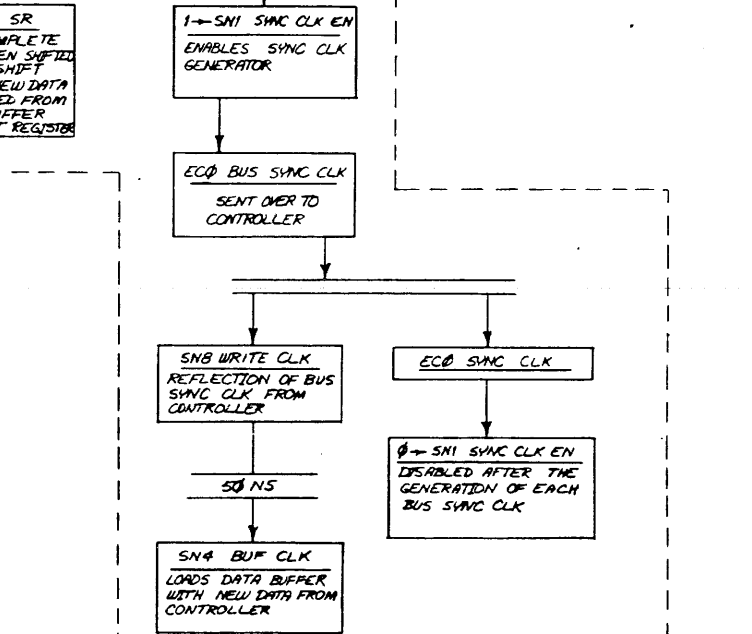
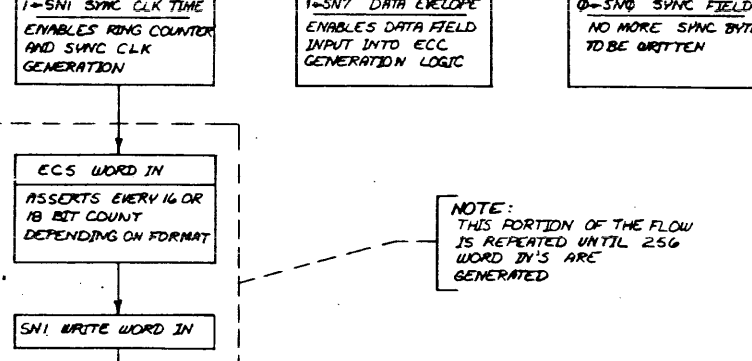
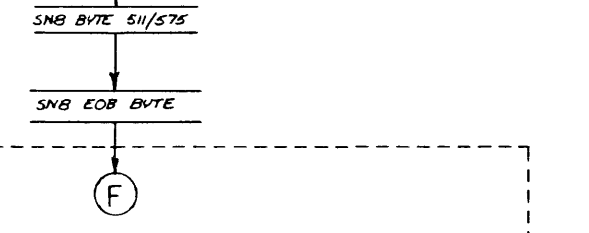
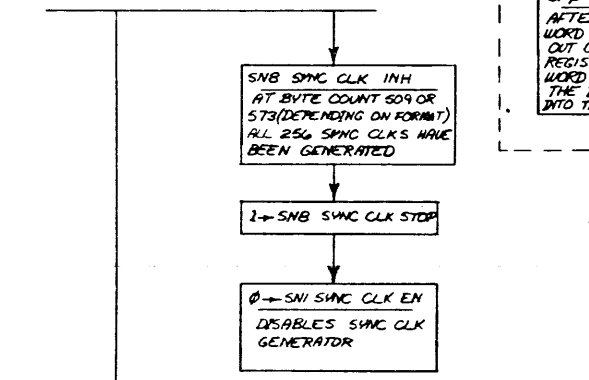
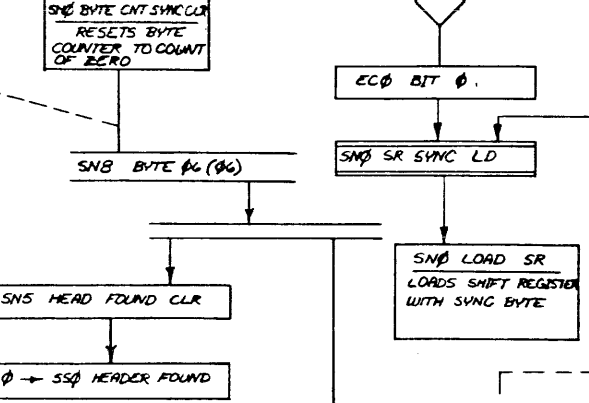
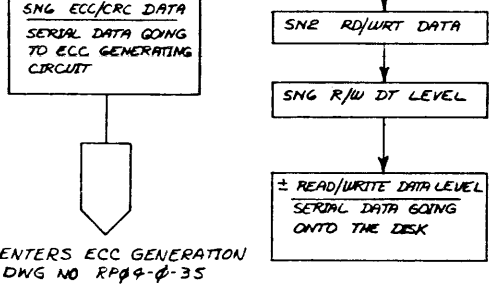
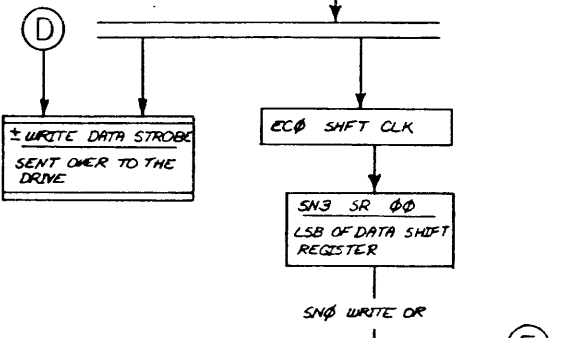
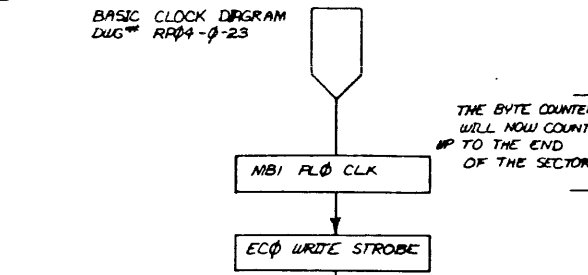
REV.	REV.
CHG	CHG
NO.	NO.

FIRST USED ON OPTION/MODEL		QTY.	DESCRIPTION	PART NO.	ITEM NO.
RP04					
DIMENSIONAL TOLERANCE					
DIMENSIONS ARE INCHES UNLESS OTHERWISE SPECIFIED					
BILLIMETERS	INCHES	ANGLES	PARTS LIST		
XXX - ±0.10	XXX - ±0.006	10° 20°	DRN. <i>R. Smith</i>	DATE <i>8/24/78</i>	digital
XX - ±0.3	XX - ±0.02		CHKD. <i>P. Sampson</i>	DATE <i>8/24/78</i>	
X - ±0.5	X - ±0.1		ENGR. <i>P. Sampson</i>	DATE <i>9/12/78</i>	
			PROJ. ENG. <i>P. Sampson</i>	DATE <i>9/12/78</i>	
THIRD ANGLE PROJECTION	REMOVE BURRS AND BREAK SHARP CORNERS/SURFACE QUALITY	NEXT HIGHER ASSY.	TITLE WRITE DATA FLOW DIAGRAM		
MATERIAL	FINISH	SCALE	SIZE CODE	NUMBER	REV.
		SHEET 1 OF 3	DFD	RP04-0-27	



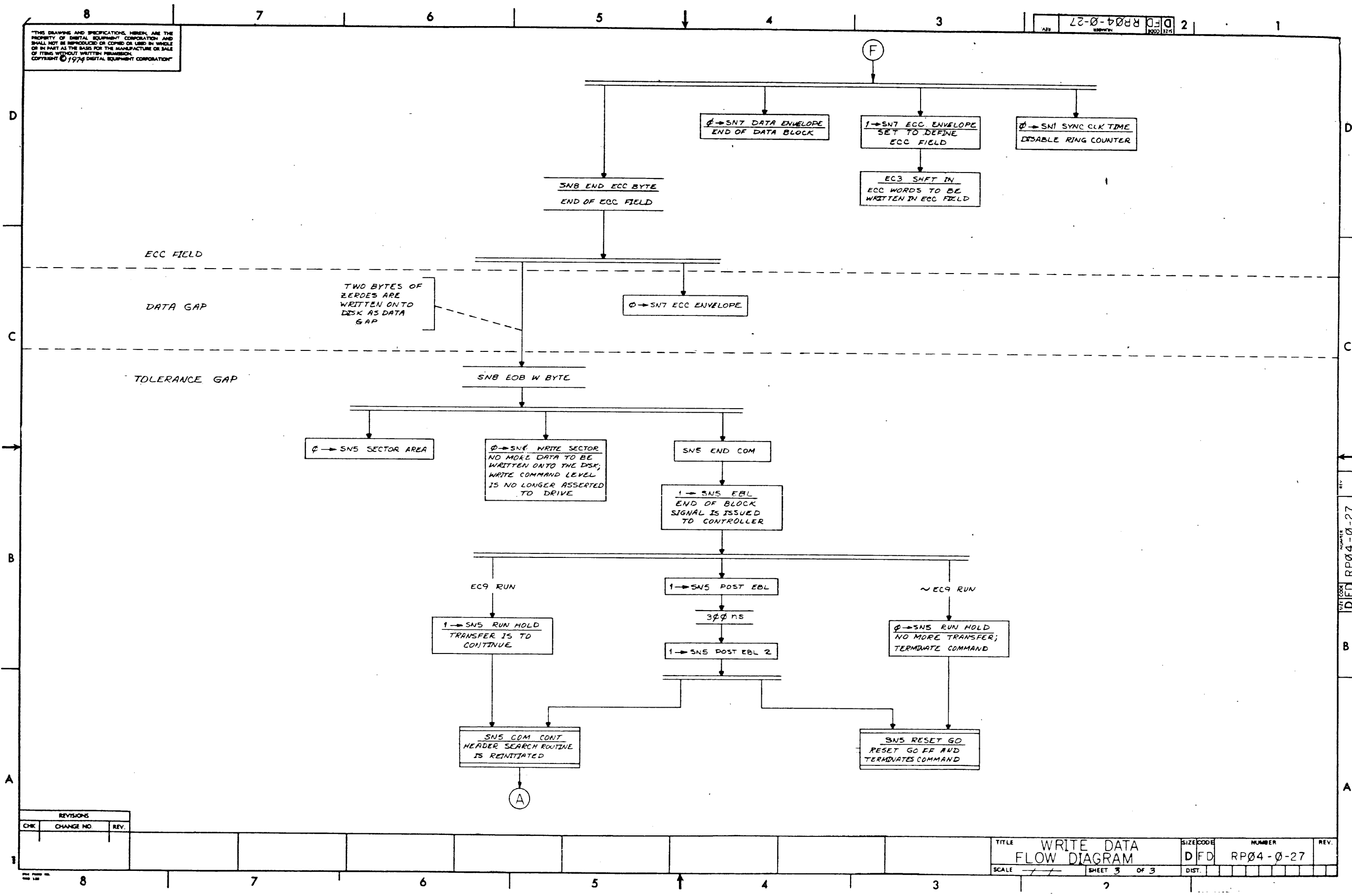
"THIS DRAWING AND SPECIFICATIONS HEREIN ARE THE PROPERTY OF DIGITAL EQUIPMENT CORPORATION AND SHALL NOT BE REPRODUCED OR COPIED OR USED IN WHOLE OR IN PART AS THE BASIS FOR THE MANUFACTURE OR SALE OF ITEMS WITHOUT WRITTEN PERMISSION. COPYRIGHT © 1974 DIGITAL EQUIPMENT CORPORATION"

DATA FIELD



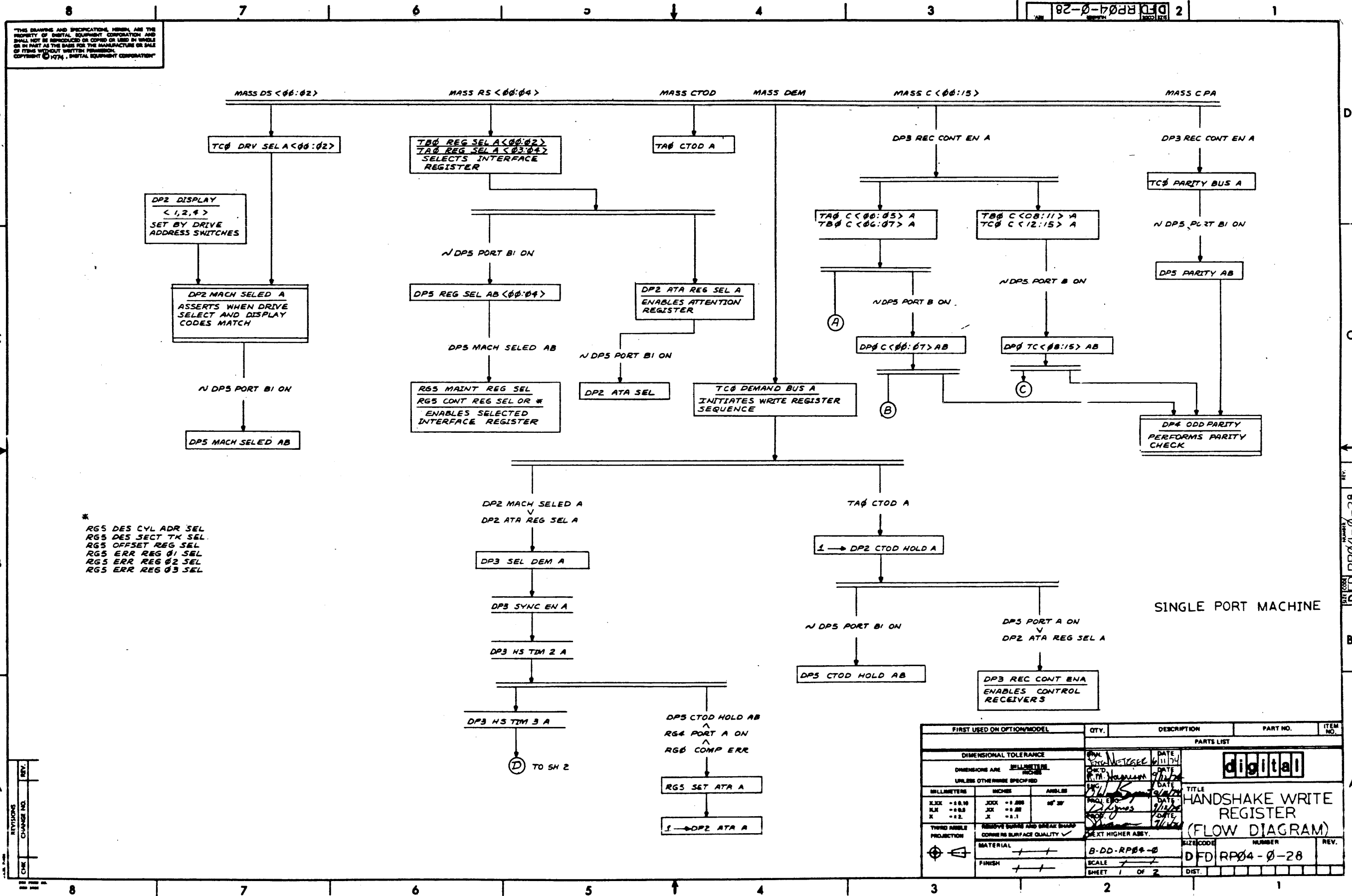
THIS DRAWING AND SPECIFICATIONS HEREIN ARE THE PROPERTY OF DIGITAL EQUIPMENT CORPORATION AND SHALL NOT BE REPRODUCED OR COPIED OR USED IN WHOLE OR IN PART AS THE BASIS FOR THE MANUFACTURE OR SALE OF ITEMS WITHOUT WRITTEN PERMISSION. COPYRIGHT © 1974 DIGITAL EQUIPMENT CORPORATION

REV. 2
 DFD RP04-0-27



REVISIONS		
CHK	CHANGE NO	REV.

TITLE: WRITE DATA FLOW DIAGRAM
 SIZE/DATE: DFD RP04-0-27
 SHEET 3 OF 3



*
 RG5 DES CYL ADR SEL
 RG5 DES SECT TK SEL
 RG5 OFFSET REG SEL
 RG5 ERR REG 01 SEL
 RG5 ERR REG 02 SEL
 RG5 ERR REG 03 SEL

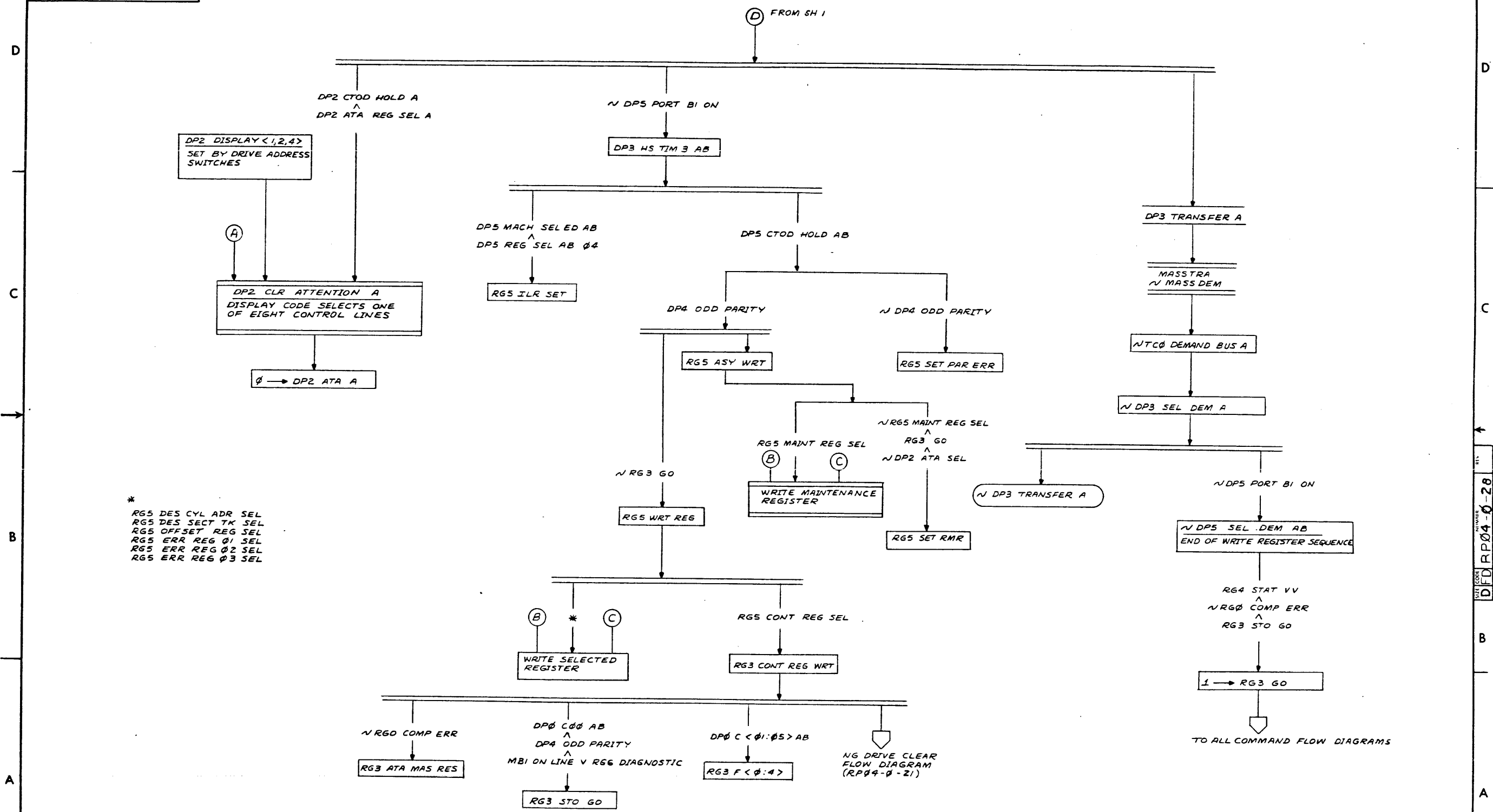
FIRST USED ON OPTION/MODEL			QTY.	DESCRIPTION	PART NO.	ITEM NO.
DIMENSIONAL TOLERANCE			PARTS LIST			
DIMENSIONS ARE MILLIMETER UNLESS OTHERWISE SPECIFIED						
MILLIMETERS	INCHES	ANGLES				
RJXX ±0.10 RJX ±0.05 X ±0.2	JXX ±0.005 JX ±0.002 X ±0.1	16° 30'	TITLE: HANDSHAKE WRITE REGISTER (FLOW DIAGRAM) DATE: 11/17/74 CHECKED: [Signature] DATE: 11/17/74 DRAWN: [Signature] DATE: 11/17/74 PARTS LIST: [Signature] DATE: 11/17/74 NEXT HIGHER ASSY.			
THIRD ANGLE PROJECTION	REMOVE BURRS AND BREAK EDGES CORNER SURFACE QUALITY	MATERIAL: + + + FINISH: + + +				
			B-DD-RP04-B SCALE: 1 OF 2 SHEET: 1 OF 2		SIZE CODE: DFD RP04-0-28 NUMBER: [] REV. []	

REV.	CHANGE NO.	REVISIONS

REV. 1
 DATE 11/17/74
 DFD RP04-0-28

THIS DRAWING AND SPECIFICATIONS HEREIN ARE THE PROPERTY OF DIGITAL EQUIPMENT CORPORATION AND SHALL NOT BE REPRODUCED OR COPIED OR USED IN WHOLE OR IN PART AS THE BASIS FOR THE MANUFACTURE OR SALE OF ITEMS WITHOUT WRITTEN PERMISSION. COPYRIGHT © 1974 DIGITAL EQUIPMENT CORPORATION

DFD RP04-0-28 2



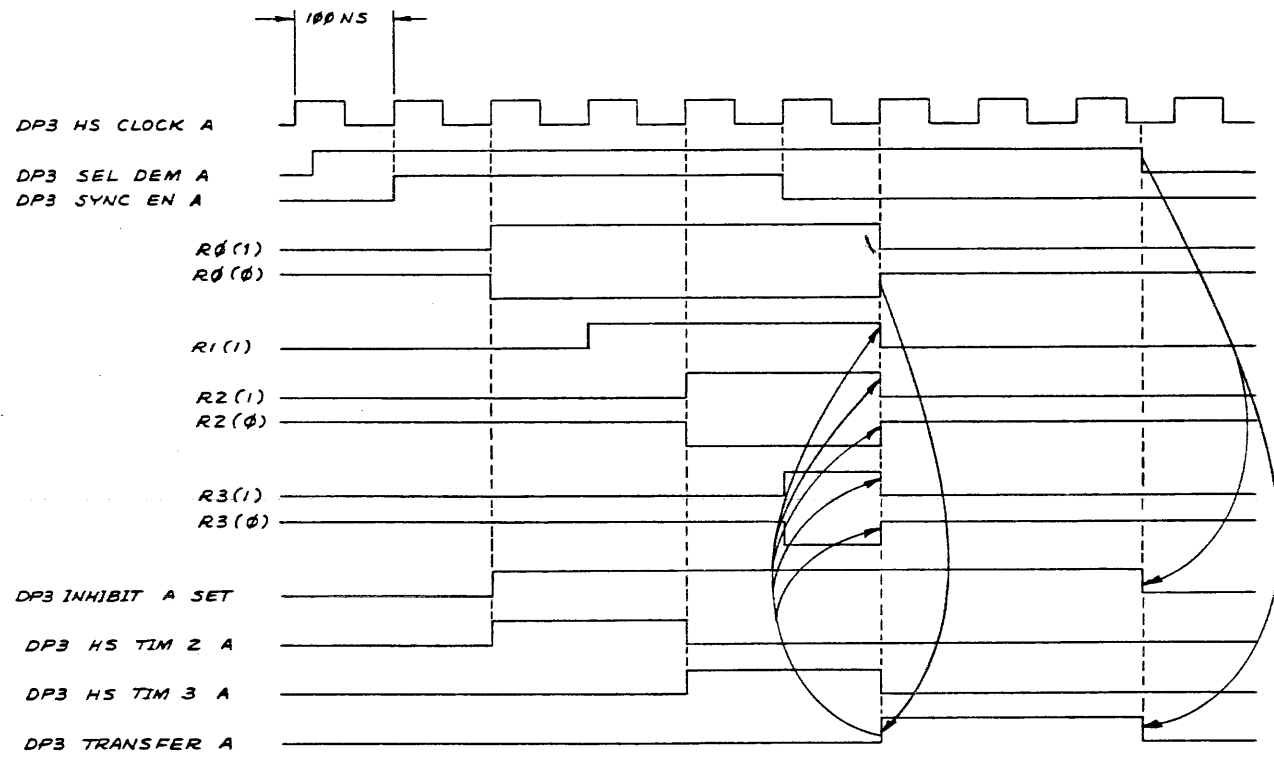
*
 RGS DES CYL ADR SEL
 RGS DES SECT TK SEL
 RGS OFF SET REG SEL
 RGS ERR REG 01 SEL
 RGS ERR REG 02 SEL
 RGS ERR REG 03 SEL

REVISIONS		
CHK	CHANGE NO.	REV.

TITLE HANDSHAKE WRITE REGISTER (FLOW DIAG) SIZE CODE DFD RP04-0-28 NUMBER REV.
 SCALE SHEET 2 OF 2 DIST.

THIS DRAWING AND SPECIFICATIONS HEREIN ARE THE PROPERTY OF DIGITAL EQUIPMENT CORPORATION AND SHALL NOT BE REPRODUCED OR COPIED OR USED IN WHOLE OR IN PART AS THE BASIS FOR THE MANUFACTURE OR SALE OF ITEMS WITHOUT WRITTEN PERMISSION. COPYRIGHT © 1974, DIGITAL EQUIPMENT CORPORATION.

62-0-29



DITD RP04-0-29

B

A

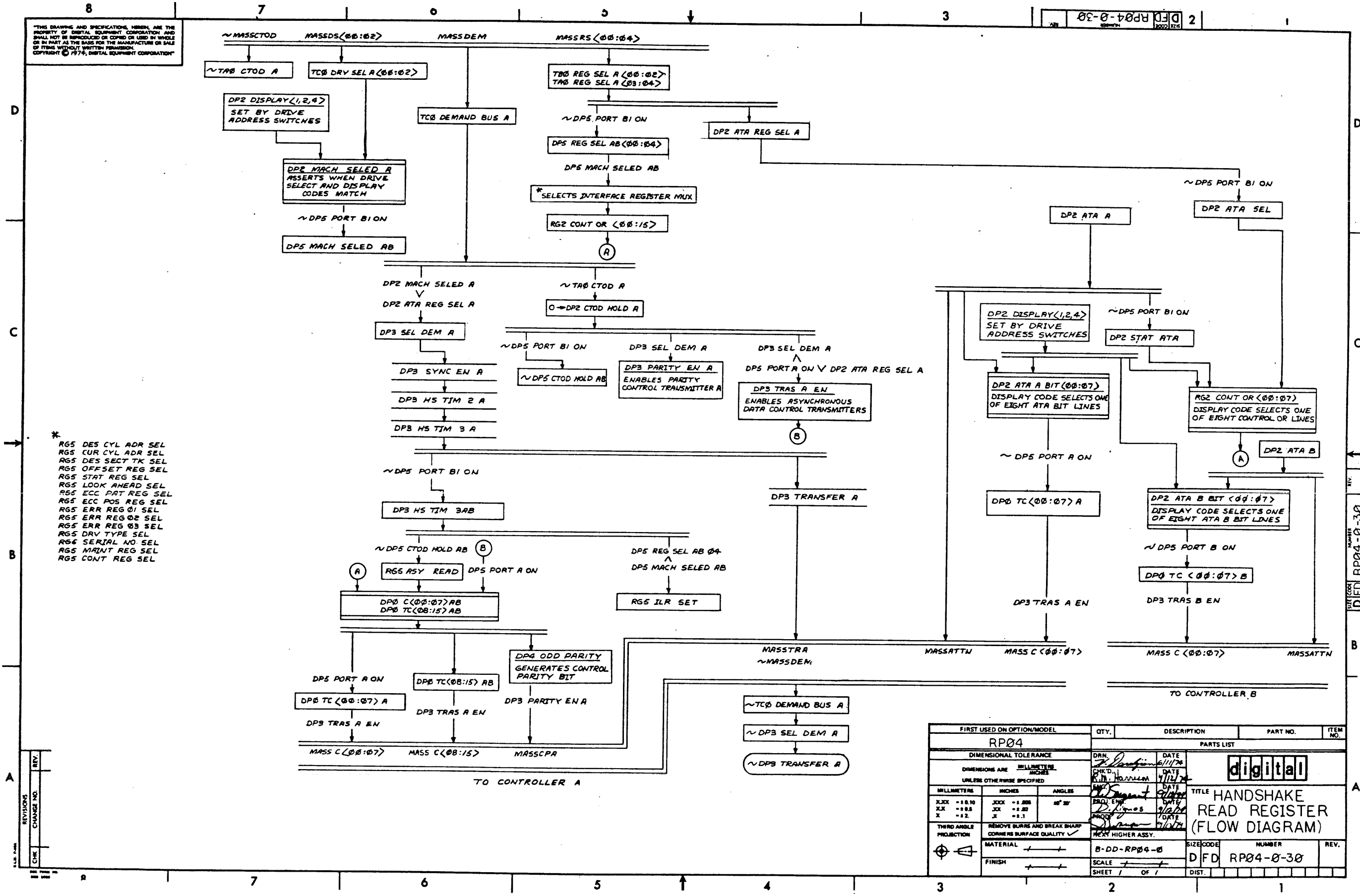
FIRST USED ON OPTION/MODEL RP04	QTY.	DESCRIPTION	PART NO.	ITEM NO.
PARTS LIST				
UNLESS OTHERWISE SPECIFIED DIMENSION IN INCHES	DATE 11/2/74	DATE 9/12/74	digital EQUIPMENT CORPORATION MAYFORD, MASSACHUSETTS	
TOLERANCES	DATE 9/12/74	DATE 9/12/74	TITLE HANDSHAKE TIMING DIAGRAM	
DECIMALS .005	DATE 9/12/74	DATE 9/12/74	SIZE CODE DITD RP04-0-29	
ANGLES ±0°30'	DATE 9/12/74	DATE 9/12/74	NUMBER	
REMOVE BURRS AND BREAK SHARP CORNERS SURFACE QUALITY V	DATE 9/12/74	DATE 9/12/74	REV.	
MATERIAL	DATE 9/12/74	DATE 9/12/74	NEXT HIGHER ASSY.	
FINISH	DATE 9/12/74	DATE 9/12/74	SCALE	
	DATE 9/12/74	DATE 9/12/74	SHEET 1 OF 1	
	DATE 9/12/74	DATE 9/12/74	DIST.	

REVISIONS	REV.
CHG	CHANGED TO
CHK	BY

8 7 6 5 4 3 2 1

"THIS DRAWING AND SPECIFICATIONS HEREIN ARE THE PROPERTY OF DIGITAL EQUIPMENT CORPORATION AND SHALL NOT BE REPRODUCED OR COPIED OR USED IN WHOLE OR IN PART AS THE BASIS FOR THE MANUFACTURE OR SALE OF ITEMS WITHOUT WRITTEN PERMISSION. COPYRIGHT © 1974, DIGITAL EQUIPMENT CORPORATION"

REV. NO. 2
 PART NO. DFD RP04-0-30

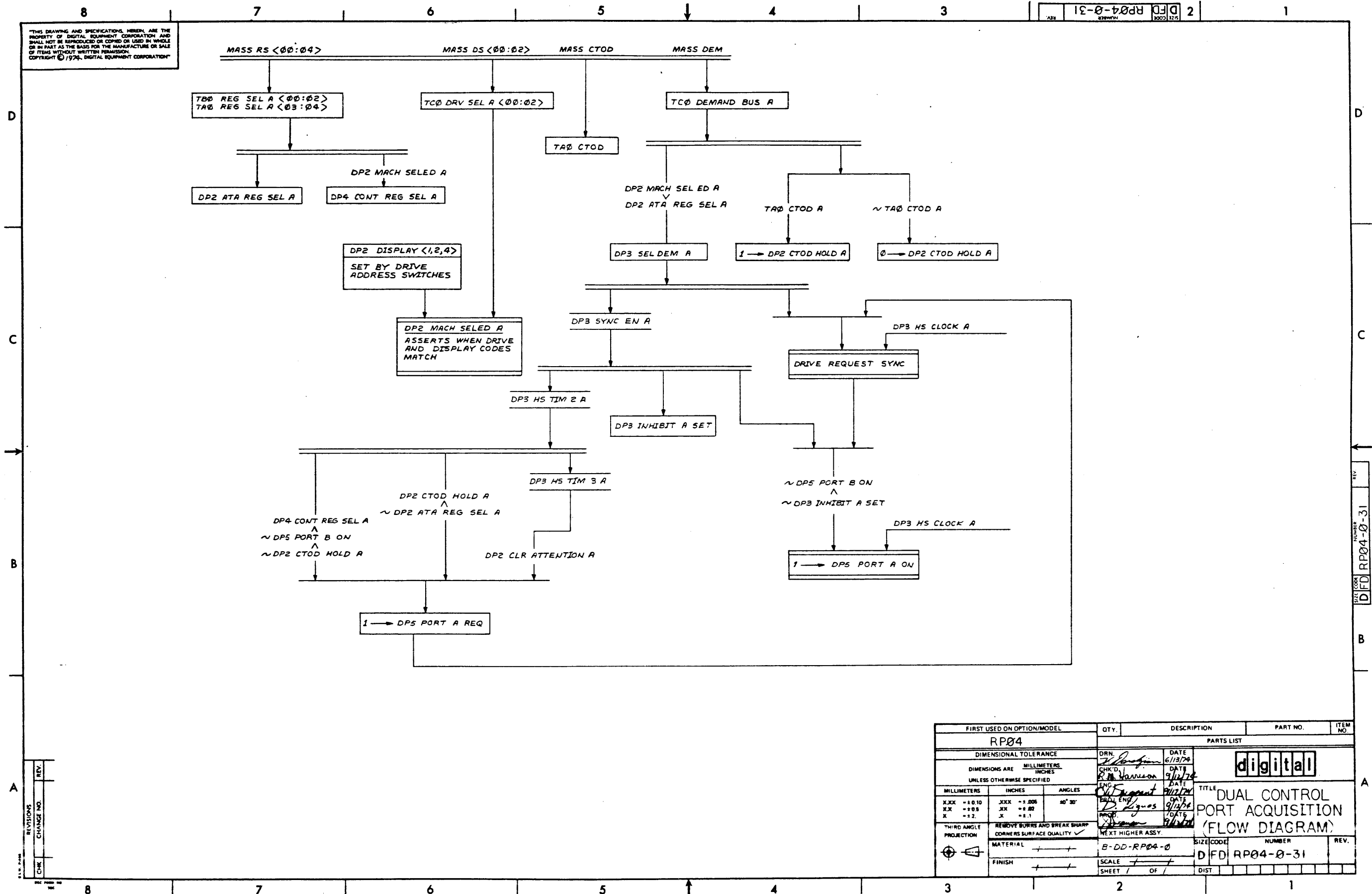


- * RGS DES CYL ADR SEL
- RGS CUR CYL ADR SEL
- RGS DES SECT TK SEL
- RGS OFFSET REG SEL
- RGS STAT REG SEL
- RGS LOOK AHEAD SEL
- RGS ECC PAT REG SEL
- RGS ECC POS REG SEL
- RGS ERR REG 01 SEL
- RGS ERR REG 02 SEL
- RGS ERR REG 03 SEL
- RGS DRV TYPE SEL
- RGS SERIAL NO SEL
- RGS MAINT REG SEL
- RGS CONT REG SEL

FIRST USED ON OPTION/MODEL		QTY.	DESCRIPTION	PART NO.	ITEM NO.
RP04					
DIMENSIONAL TOLERANCE					
DIMENSIONS ARE MILLIMETERS UNLESS OTHERWISE SPECIFIED					
MILLIMETERS	INCHES	ANGLES			
XX - ±0.10	JXX - ±0.008	XX° - 30'			
XX - ±0.5	XX - ±0.02	XX			
XX - ±2.	XX	XX			
THIRD ANGLE PROJECTION	REMOVE BURRS AND BREAK SHARP CORNERS SURFACE QUALITY	NEXT HIGHER ASSY.			
MATERIAL	FINISH	B-DD-RP04-0	SIZE CODE	NUMBER	REV.
		SCALE	DFD	RP04-0-30	
		SHEET	1	OF 1	DIST.

REV.	CHANGE NO.	REVISIONS

THIS DRAWING AND SPECIFICATIONS HEREIN ARE THE PROPERTY OF DIGITAL EQUIPMENT CORPORATION AND SHALL NOT BE REPRODUCED OR COPIED OR USED IN WHOLE OR IN PART AS THE BASIS FOR THE MANUFACTURE OR SALE OF ITEMS WITHOUT WRITTEN PERMISSION. COPYRIGHT © 1974, DIGITAL EQUIPMENT CORPORATION



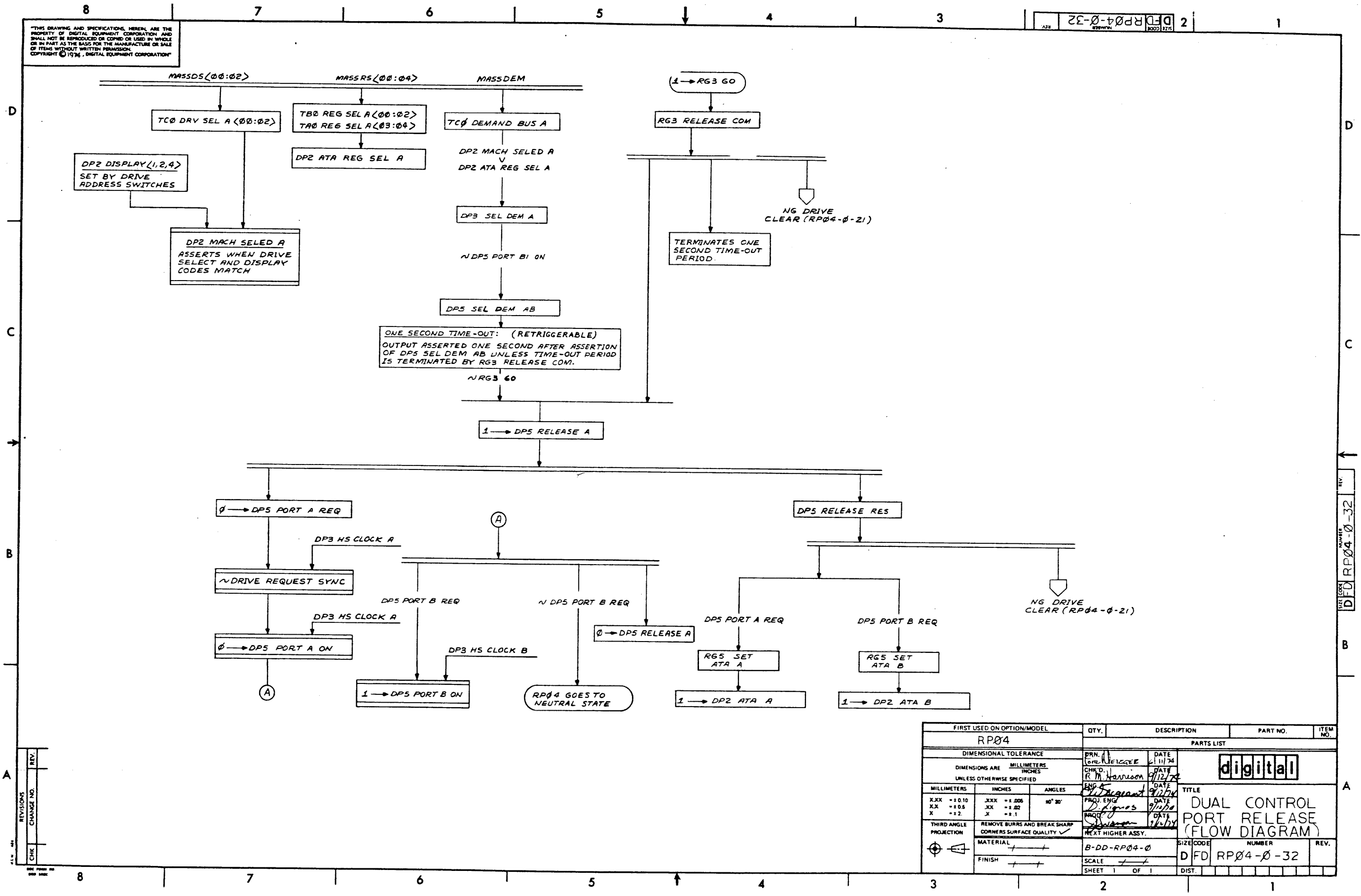
REV.	
CHANGE NO.	
REVISIONS	

FIRST USED ON OPTION/MODEL	QTY.	DESCRIPTION	PART NO.	ITEM NO.
RP04				
PARTS LIST				
DIMENSIONAL TOLERANCE		DRN.	DATE	digital
DIMENSIONS ARE MILLIMETERS UNLESS OTHERWISE SPECIFIED		CHK'D	DATE	
MILLIMETERS	INCHES	ANGLES	DATE	TITLE DUAL CONTROL PORT ACQUISITION (FLOW DIAGRAM)
XJX ±0.10 JX ±0.05 X ±0.2	JXX ±0.006 JX ±0.002 X ±0.1	10° 30'	DATE	
THIRD ANGLE PROJECTION	REMOVE BURRS AND BREAK SHARP CORNERS SURFACE QUALITY	NEXT HIGHER ASSY.	DATE	
MATERIAL	FINISH	SCALE	DATE	
		SHEET 1 OF 1		

REV. 2 DFD RP04-0-31

THIS DRAWING AND SPECIFICATIONS HEREIN ARE THE PROPERTY OF DIGITAL EQUIPMENT CORPORATION AND SHALL NOT BE REPRODUCED OR COPIED OR USED IN WHOLE OR IN PART AS THE BASIS FOR THE MANUFACTURE OR SALE OF ITEMS WITHOUT WRITTEN PERMISSION. COPYRIGHT © 1974, DIGITAL EQUIPMENT CORPORATION

REV. 2 DFD RP04-0-32



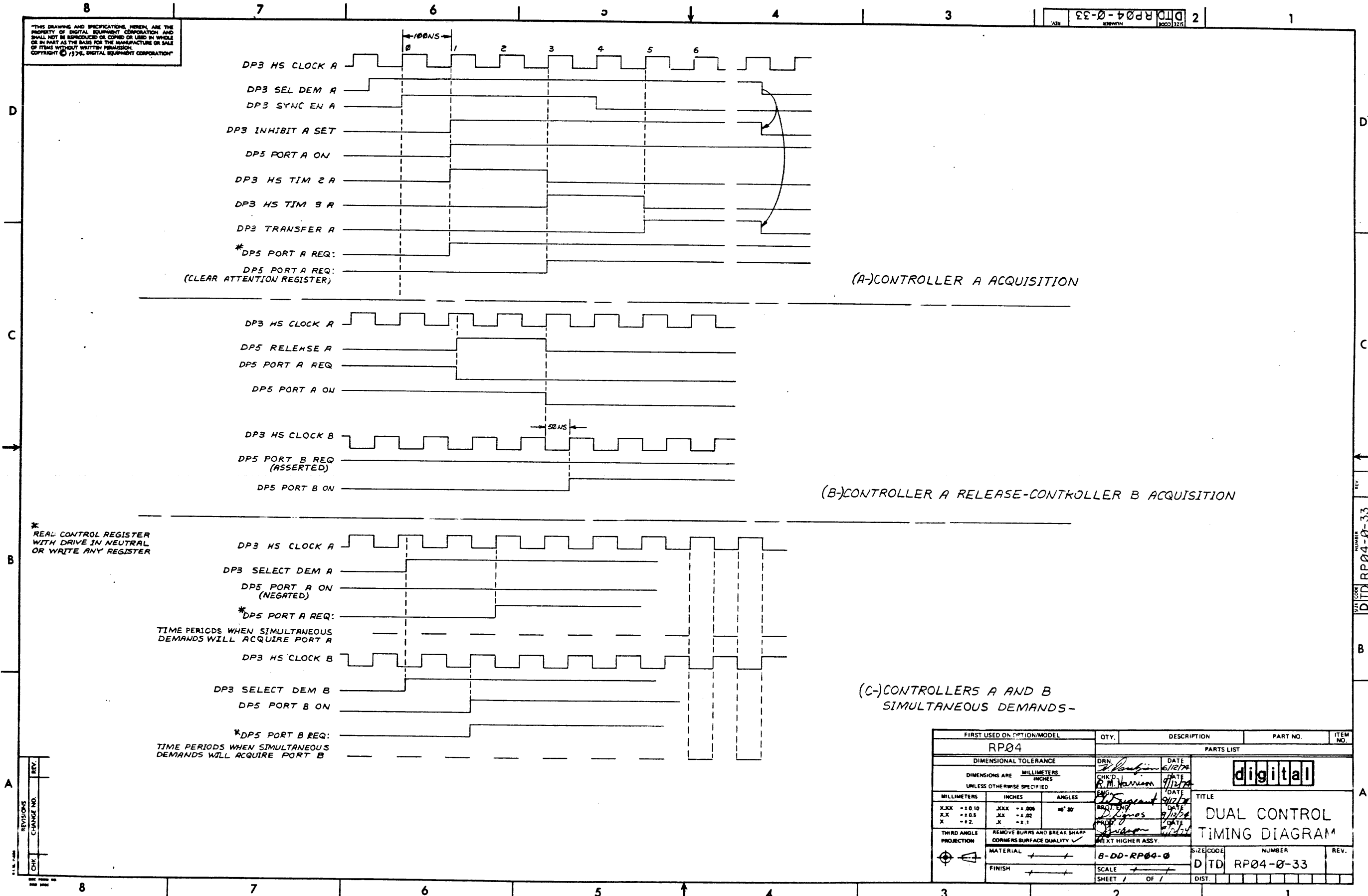
FIRST USED ON OPTION/MODEL		QTY.	DESCRIPTION	PART NO.	ITEM NO.
RP04					
DIMENSIONAL TOLERANCE					
DIMENSIONS ARE MILLIMETERS UNLESS OTHERWISE SPECIFIED					
MILLIMETERS	INCHES	ANGLES		PARTS LIST	
.XX ±0.10	.XX ±.006	90° 30'		PRN. [Signature] DATE 11/74	
.X ±0.5	.X ±.02			CHK'D. [Signature] DATE 9/12/74	
X ±2	X ±.1			ENG. [Signature] DATE 9/2/74	
THIRD ANGLE PROJECTION		REMOVE BURRS AND BREAK SHARP CORNERS SURFACE QUALITY ✓		PROJ. ENGR. [Signature] DATE 9/12/74	
MATERIAL		NEXT HIGHER ASSY.		TITLE	
FINISH		B-DD-RP04-0		DUAL CONTROL PORT RELEASE (FLOW DIAGRAM)	
		SCALE		SIZE CODE NUMBER	
		SHEET 1 OF 1		D FD RP04-0-32	
		DIST.		REV.	

REVISIONS
NO. CHANGE NO. REV.

REV. 2 DFD RP04-0-32

THIS DRAWING AND SPECIFICATIONS HEREIN ARE THE PROPERTY OF DIGITAL EQUIPMENT CORPORATION AND SHALL NOT BE REPRODUCED OR COPIED OR USED IN WHOLE OR IN PART AS THE BASIS FOR THE MANUFACTURE OR SALE OF ITEMS WITHOUT WRITTEN PERMISSION. COPYRIGHT © 1974, DIGITAL EQUIPMENT CORPORATION.

DITD RP04-0-33



(A)-CONTROLLER A ACQUISITION

(B)-CONTROLLER A RELEASE-CONTROLLER B ACQUISITION

(C)-CONTROLLERS A AND B SIMULTANEOUS DEMANDS-

*REAL CONTROL REGISTER WITH DRIVE IN NEUTRAL OR WRITE ANY REGISTER

TIME PERIODS WHEN SIMULTANEOUS DEMANDS WILL ACQUIRE PORT A

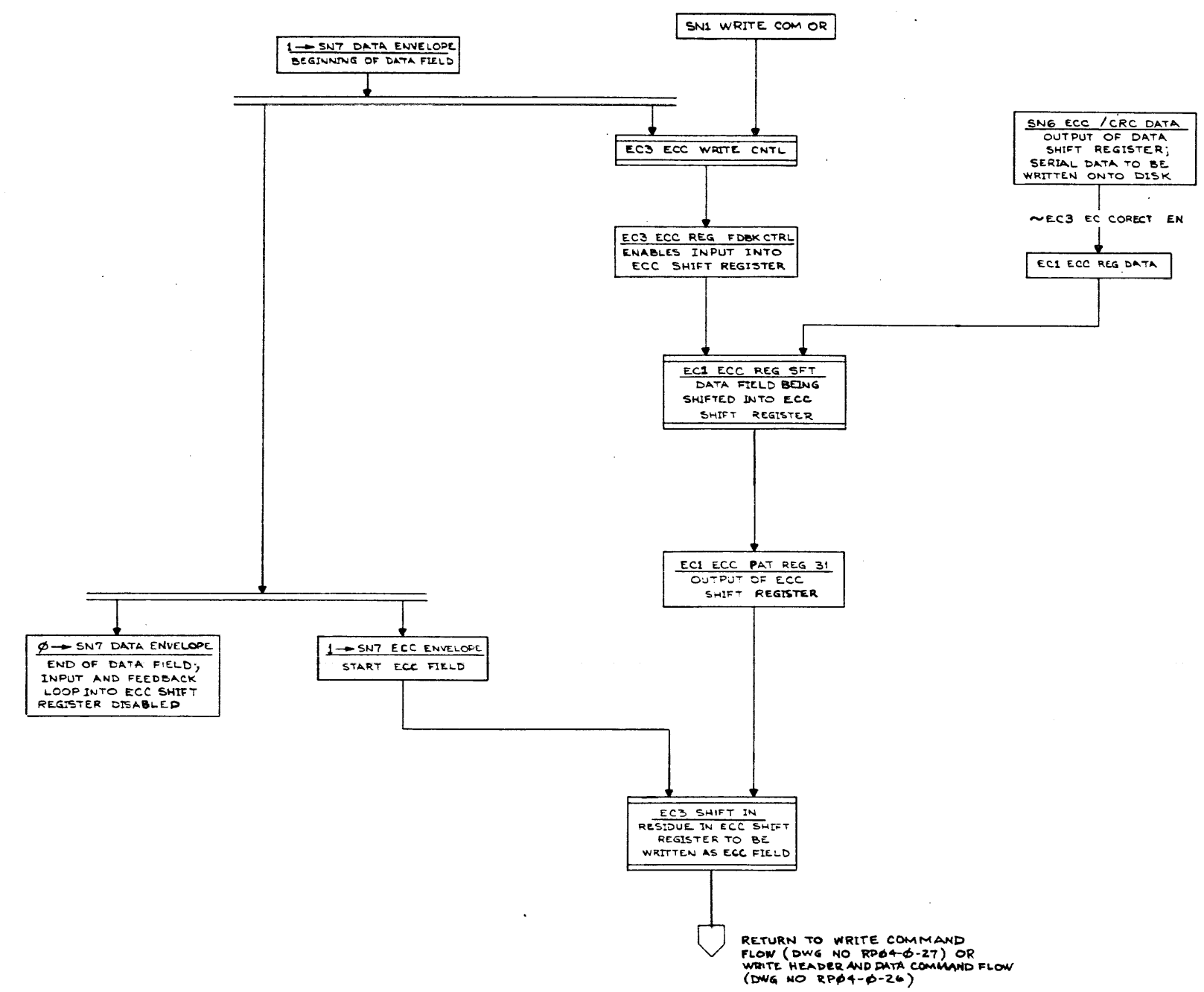
*DP5 PORT B REQ: TIME PERIODS WHEN SIMULTANEOUS DEMANDS WILL ACQUIRE PORT B

REV.	CHG.	NO.

FIRST USED ON OPTION/MODEL RP04		QTY.	DESCRIPTION	PART NO.	ITEM NO.
DIMENSIONAL TOLERANCE		PARTS LIST			
DIMENSIONS ARE MILLIMETERS INCHES UNLESS OTHERWISE SPECIFIED		DRN. R. M. Harrison	DATE 6/18/74	digital	
MILLIMETERS	INCHES	ANGLES	BRG. ENG. D. Sigas	DATE 9/13/74	TITLE DUAL CONTROL TIMING DIAGRAM
X,XX ±0.10	XXX ±.005	90° 30'	PROF. J. Brown	DATE 4/17/74	
XX ±0.5	XX ±.02				
X ±2	X ±.1				
THIRD ANGLE PROJECTION	REMOVE BURRS AND BREAK SHARP CORNERS SURFACE QUALITY ✓	NEXT HIGHER ASSY.		SIZE CODE B-DD-RP04-0	NUMBER DITD RP04-0-33
		SCALE			REV.
		SHEET 1	OF 1	DIST.	

DITD RP04-0-33

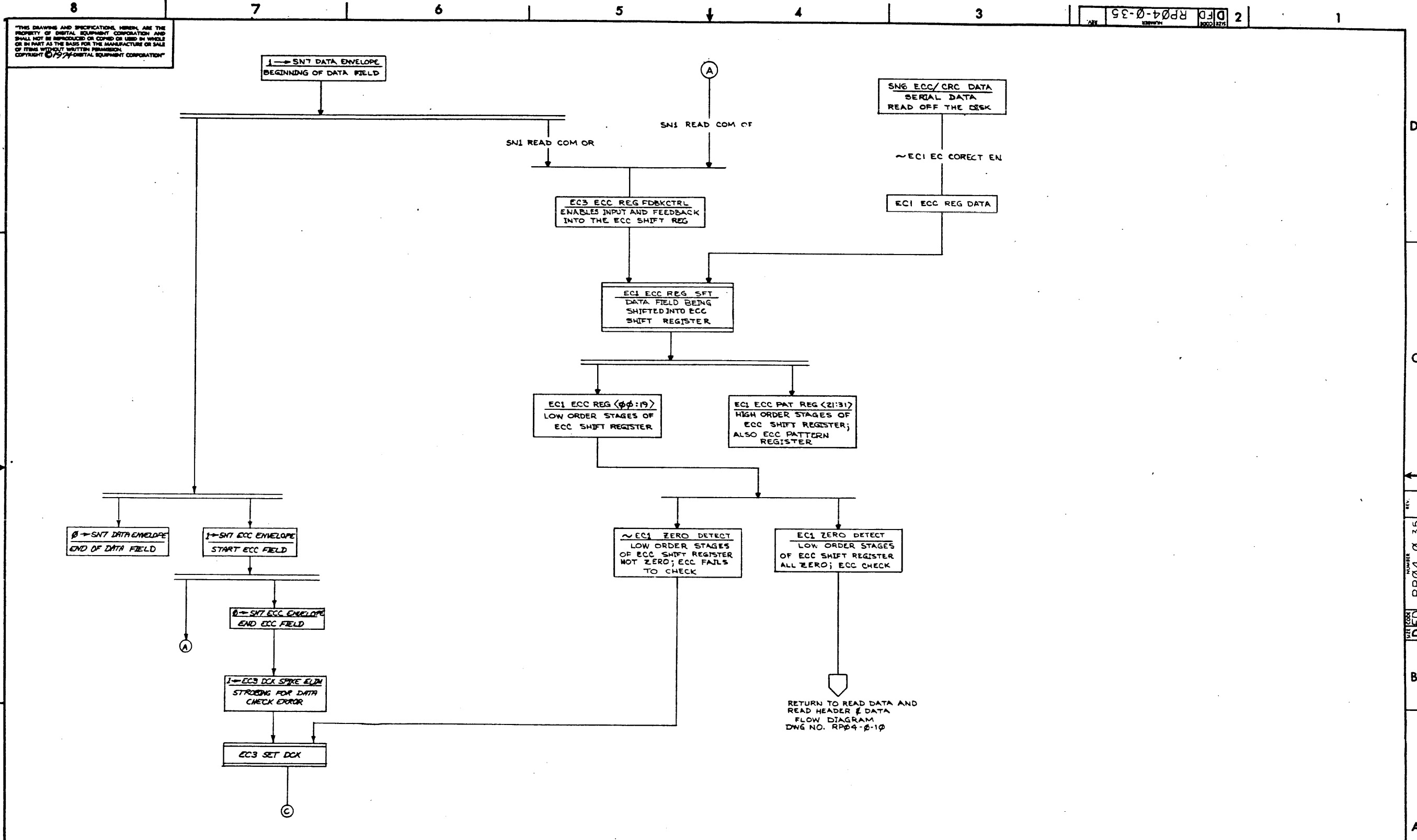
"THIS DRAWING AND SPECIFICATIONS HEREIN ARE THE PROPERTY OF DIGITAL EQUIPMENT CORPORATION AND SHALL NOT BE REPRODUCED OR COPIED OR USED IN WHOLE OR IN PART AS THE BASIS FOR THE MANUFACTURE OR SALE OF ITEMS WITHOUT WRITTEN PERMISSION. COPYRIGHT © 1977, DIGITAL EQUIPMENT CORPORATION"



ECC GENERATION

FIRST USED ON OPTION/MODEL RP04		QTY.	DESCRIPTION	PART NO.	ITEM NO.
PARTS LIST					
DIMENSIONAL TOLERANCE		DRN	DATE	digital	
DIMENSIONS ARE MILLIMETERS UNLESS OTHERWISE SPECIFIED		CHK'D	DATE		
MILLIMETERS	INCHES	ANGLES	ENG.	DATE	TITLE
XX .XX ± 0.10	JXX ± 0.008	∠ 30°	PROJ. ENG.	DATE	ECC GENERATION, CHECK & CORRECTION (FLOW DIAGRAM)
.XX ± 0.05	JX ± 0.02		PROJ.	DATE	
X ± 0.2	X ± 0.1		PROJ.	DATE	
THIRD ANGLE PROJECTION	REMOVE BURRS AND BREAK SHARP CORNERS SURFACE QUALITY ✓	NEXT HIGHER ASSY.			
MATERIAL	FINISH	B-DD-RP04-0	SIZE/CODE	NUMBER	REV.
		SCALE	DFD	RP04-0-35	
		SHEET 1 OF 3	DIST		

REVISIONS	REV.
CHANGE NO.	
CHK	

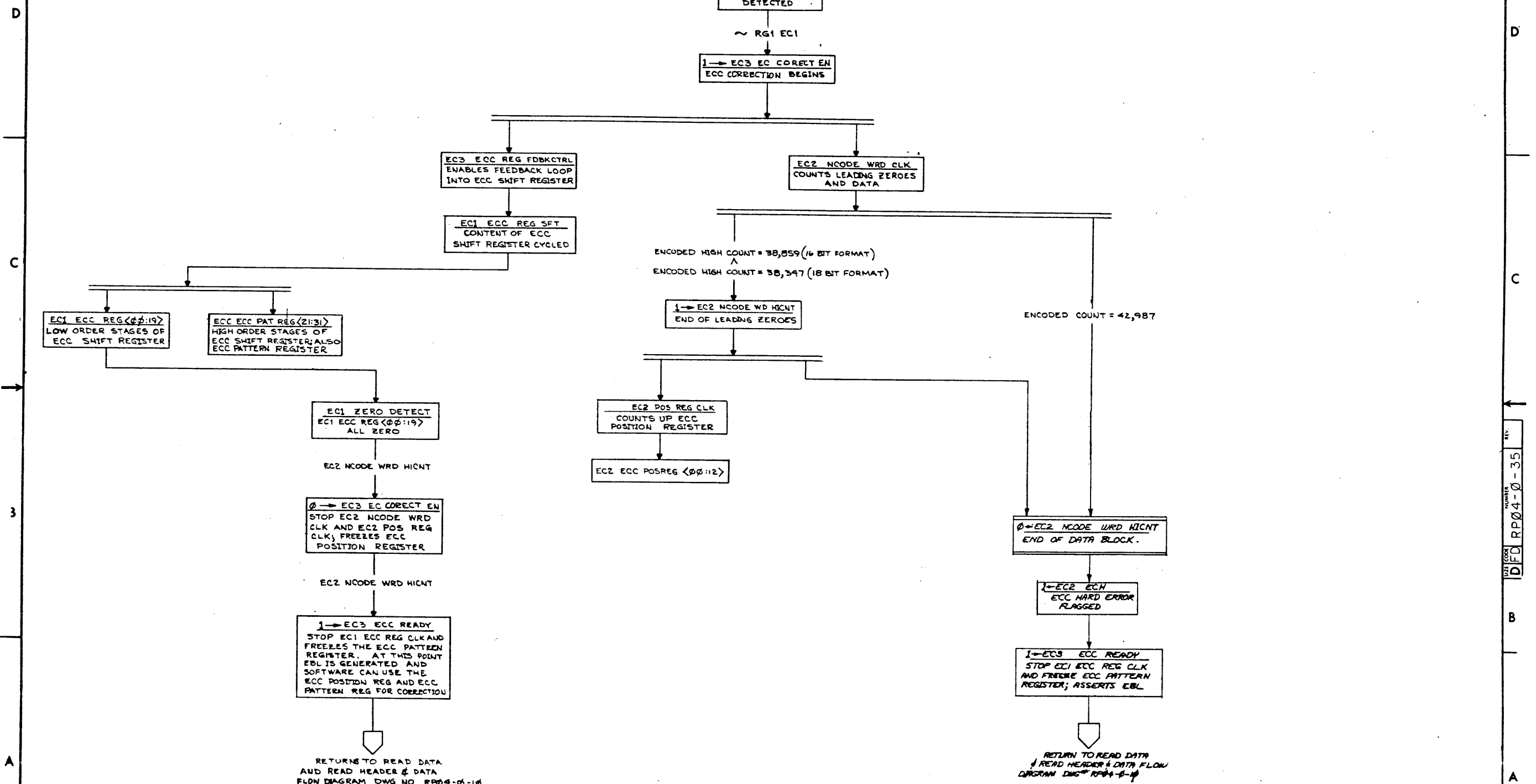


REVISIONS		
CHK	CHANGE NO.	REV.

ECC CHECK & CORRECTION		TITLE	SIZE CODE	NUMBER	REV.
ECC GENERATION, CHECK & CORRECTION (FLOW DIAGRAM)		DFD	RP04-0-35		
SCALE	SHEET 2 OF 3	DIST.			

REV. 2 DFD RP04-0-35

THIS DRAWING AND SPECIFICATIONS HEREIN ARE THE PROPERTY OF DIGITAL EQUIPMENT CORPORATION AND SHALL NOT BE REPRODUCED OR COPIED OR USED IN WHOLE OR IN PART AS THE BASIS FOR THE MANUFACTURE OR SALE OF ITEMS WITHOUT WRITTEN PERMISSION. COPYRIGHT © 1977 DIGITAL EQUIPMENT CORPORATION



REVISIONS		
CHK	CHANGE NO	REV.

ECC CHECK & CORRECTION

TITLE	ECC GENERATION, CHECK & CORRECTION (FLOW DIAGRAM)	SIZE/CODE	DFD	NUMBER	RP04-0-35	REV.	
SCALE		SHEET	3	OF	3	DIST.	

This drawing and specifications, herein, are the property of Digital Equipment Corporation and shall not be reproduced or copied or used in whole or in part as the basis for the manufacture or sale of items without written permission.

DIGITAL EQUIPMENT CORPORATION MAYNARD, MASSACHUSETTS						
ENGINEERING SPECIFICATION					DATE 4/7/76	
TITLE RJP05/6 FIELD ACCEPTANCE TEST						
REVISIONS						
REV	DESCRIPTION	CHG NO	ORIG	DATE	APPD BY	DATE

ENG Roger Moore	APPD <i>Lynette</i>	SIZE A	CODE SP	NUMBER RP05-0-1	REV
--------------------	------------------------	-----------	------------	--------------------	-----

DEC 16-(392)-1079-N971
DRA 107

ENGINEERING SPECIFICATION				DRAFT	CONTINUATION SHEET
TITLE RJP05/6 FIELD ACCEPTANCE TEST					
<p>I. <u>Purpose</u></p> <p>Field Acceptance Testing is intended to demonstrate performance of DEC's product to the customer prior to his acceptance. It is the purpose of this document to specify procedure to accomplish this task.</p>					
<p>II. <u>Error Definitions/Rates</u></p> <p>The RP05/6 contains three registers to display the various error conditions possible. Error register #1 (RHER 1) indicates the operational error related to command and control; error registers #2 and 3 (RHER 2, RHER 3) indicate drive error conditions. Section III and VIII of the RP05/6 Functional Specification define and discuss these error conditions in detail. These conditions all contribute to drive MTBF; two bits of RHER 3 (SKI and OCYL) indicate seek errors and are used to calculate the seek error rate. Four bits of RHER 1 (DCK (which may include DTE and FER), HCRC, HCE, and ECH) indicate data errors; the remaining bits of RHER 1 indicate command and control errors.</p> <p>For purposes of error rate specification, the following definitions shall apply:</p> <p><u>Irrecoverable (Hard) Error</u> - Any failure to read data correctly after a complete recovery sequence (16 retries at nominal head position and two retries each at offset of +400, +800 and +1200 RP05 +200, +400 and +600 RP06 inches, total 12) with ECC enabled. Errors which are not ECC correctable include bursts greater than 11 bits long and isolated dropped bits within a sector (separated by more than 11 bits) multiple dropped bits whether separated by any number of bits.</p> <p><u>Recoverable (Soft) Error</u> - Any failure to read data correctly on the first try which is read successfully during a recovery sequence (above).</p> <p>NOTE: The above definitions of hard and soft errors apply to randomly distributed errors and are not media dependent (pack attributable).</p> <p><u>Pack Attributable Error</u> - Error caused by an imperfection in the recording surface. If the imperfection is less than eleven bits long, it is ECC correctable and will appear as a soft error; if it is longer than eleven bits, it will appear as a hard error. On a given pack, pack attributable errors will always appear at the same cylinder, sector and track addresses. Pack Attributable errors are ignored in the demonstration of recoverable and irrecoverable error rates. Imperfections in the pack surface may be found by mapping the pack using the formatter program.</p>					

DEC FORM NO DEC 16-(381)-1022-N370
DRA 108

ENGINEERING SPECIFICATION

CONTINUATION SHEET

TITLE RJP05/6 FIELD ACCEPTANCE TEST

Seek Error - Any positioning operation which fails to complete within a specified time (85ms for SEEK command, 500ms for RECALIBRATE command, and 10ms for OFFSET and RETURN to CENTER-LINE commands) or which terminates with the positioner in an incorrect location. (Positioner Error).

The table below describes the indications provided to identify the types of error defined above:

BIT	BIT SET REGISTER	ERROR TYPE	EXPLANATION
HCE HCRC	RHER 1 RHER 1	Soft	Sector Count Field/Desired Sector Compare fails due to CRC failure.
HCRC	RHER 1	Soft	Sector Count Field matches desired sector field but there is CRC Error.
HCRC FER	RHER 1 RHER 1	Soft	Format bit in first header word incorrect NOTE: FER without HCRC during any operation that reads the header indicates wrong format pack mounted. It is possible to have a soft read error cause the problem.
DCK ECH	RHER 1 RHER 1	Hard	Error detected which is ECC uncorrectable through 28 retry sequence (16 retries at nominal head position and 12 with head offset).
SKI	RHER 3	Seek	1. SEEK operation fails to complete within 85ms of initiation. 2. RECALIBRATION operation fails to complete within 500ms of initiation. 3. OFFSET or RETURN to CENTER-LINE operations fail to complete within 10ms of initiation.

SIZE CODE NUMBER REV
A SP RP05-0-1

ENGINEERING SPECIFICATION

CONTINUATION SHEET

TITLE RJP05/6 FIELD ACCEPTANCE TEST

BIT	BIT SET REGISTER	ERROR TYPE	EXPLANATION
SKI OCYL	RHER 3 RHER 3	Seek	Positioner has drifted off cylinder subsequent to completion of positioning operation.
HCE	RHER 1	Seek	Sector Count Field (RHLA) does not match Desired Sector Field (RHDST) and there is not a CRC error. This error is not caused by a positioner failure: It is due to a DCL failure. Therefore, HCR alone indicates an RP04, RP05/6 Seek Error and not A DEC 733 & 677 Drive Seek failure. Once again it is possible there is a misread of the header field.

Allowable Error Rates

Irrecoverable - 1 error in 10^{12} bits read
Recoverable - 1 error in 10^9 bits read
Seek - 1 error in 10^6 seek operation

SIZE CODE NUMBER REV
A SP RP05-0-1

ENGINEERING SPECIFICATION

CONTINUATION SHEET

TITLE RJP05/6 FIELD ACCEPTANCE TEST

III. Operational Checks (Single Controller)

Following completion of all installation procedures, complete the following operational test:

a. Diskless Controller Test Part I (Static 1A) DEC-11-DZRJG

1. Run Procedure:
Run two passes using default parameters.
2. Errors Allowed:
None
3. Error Recovery Procedure:
Correct problem and restart acceptance on failing drive.
4. Approximate Run Time:
5 minutes/drive

b. Diskless Controller Test Part II (Static 1B) DEC-11-DZRJH

1. Run Procedure:
Run two passes using default parameters.
2. Errors Allowed:
NONE
3. Error Recovery Procedure:
Correct problem and restart acceptance on failing drive.
4. Approximate Run Time:
10 minutes/drive

SIZE A	CODE SP	NUMBER RP05-0-1	REV
------------------	------------	--------------------	-----

ENGINEERING SPECIFICATION

CONTINUATION SHEET

TITLE RJP05/6 FIELD ACCEPTANCE TEST

c. Functional Controller Test Part I (Static 2A) DEC-11-DZRJI

1. Run Procedure:
Run two passes using default parameters.
2. Errors Allowed:
Only pack attributable errors.
3. Error Recovery Procedure:
Correct problem and restart acceptance on failing drive.
4. Approximate Run Time:
5 minutes/drive

d. Functional Controller Test Part II (Static 2B) DEC-11-DZRJJ

1. Run Procedure:
Run two passes using default parameters.
2. Errors Allowed:
Only pack attributable errors.
3. Error Recovery Procedure:
Correct problem and restart acceptance on failing drive.
4. Approximate Run Time:
5 minutes/drive

SIZE A	CODE SP	NUMBER RP05-0-1	REV
------------------	------------	--------------------	-----

ENGINEERING SPECIFICATION

0101001

CONTINUATION SHEET

TITLE RJP05/6 FIELD ACCEPTANCE TEST

e. Format MAIN DEC -11-DZRJB
 1. Run Procedure:
 Run per following chart

	DRV 1	DRV 2	DRV 3	DRV 4	DRV 5	DRV 6	DRV 7
Default (1)	Write	Write	Write	Write	Write	Write	Write
Option (1)	Check (1)	Check (1)	Check (1)	Check (1)	Check (1)	Check (1)	Check (1)
Write	Default	Write	Write	Write	Write	Write	Write
Check (1)	Option (2)	Check (2)	Check (2)	Check (2)	Check (2)	Check (2)	Check (2)
	Write	Default	Write	Write	Write	Write	Write
	Check (2)	Option (3)	Check (3)	Check (3)	Check (3)	Check (3)	Check (3)
		Write	Default	Write	Write	Write	Write
		Check (3)	Option (4)	Check (4)	Check (4)	Check (4)	Check (4)
			Write	Default	Write	Write	Write
			Check (4)	Option (5)	Check (5)	Check (5)	Check (5)
				Write	Default	Write	Write
				Check (5)	Option (6)	Check (6)	Check (6)
					Write	Default	Write
					Check (6)	Option (7)	Check (7)
						Write	Default
						Check (7)	Option (8)
							Write
							Check (8)

2. Errors allowed: Pack attributable errors only.
3. Error Recovery Procedure:
Correct problem and restart acceptance on failing drive.
4. Approximate run time:
8 Min/RP04-5 16 Min/RP06

SIZE **A** CODE SP NUMBER RP05-0-1 REV

ENGINEERING SPECIFICATION

0101001

CONTINUATION SHEET

TITLE RJP05/6 FIELD ACCEPTANCE TEST

f. Mechanical R/W MAINDEC -11-DZRJA

1. Run Procedure:
 - a. One pass all tests default parameters.
 - b. Ten passes test 0 - 6.
2. Errors allowed:
Only pack attributable errors. (See Note 1)
3. Error recovery procedure:
Correct problem and restart acceptance on failing drive
4. Approximate run time:
One hour fifteen min/RP04-5 2.5 Hrs./Rp06

g. Multi-Drive Exercisor MAINDEC-11-DZRJD

1. Run Procedure:
Run all drives default parameters until 6.25×10^7 words have been transferred on all drives.
2. Errors Allowed:
One soft error that is not pack attributable (see Note 1).
3. Error Recovery Procedure:
Drop failing drive from test. Continue test on remaining drives. Correct problem and restart acceptance on failing drive.
4. Approximate Run Time:
1.5 Hours/drive

h. DEC-X-11

1. Run configured for system with default parameters for one hour..
2. Errors Allowed:
Two system soft errors that are not media attributable (see notes 1 and 2).

SIZE **A** CODE SP NUMBER RP05-0-1 REV

ENGINEERING SPECIFICATION

digital

CONTINUATION SHEET

TITLE RJP05/6 FIELD ACCEPTANCE TEST

h. DEC-X-11 (Cont.)

3. Error Recovery Procedure:

Drop failing drive and continue test on remaining drives. Correct problem and restart acceptance on failing drive.

TOTAL TIME TO RUN TESTS A THRU F IN THE ABSENCE OF FAILURES -

3.5 HRS PER RP04/5 and 4.7 HOURS PER RP06.

NOTE 1: Use same pack as used for format Test E.

NOTE 2: Data lates are to be expected on heavily loaded systems and, as such, should not be considered as errors. Engineering guidelines will be available at a later date.

IV. Operational Checks (Dual Controller)

Following completion of all installation procedures, complete the following operational test.

a. Diskless Controller Test Part I (Static 1A) DEC-11-DZRJG

1. Run Procedure:

Run two passes using default (both ports) parameters.

2. Errors Allowed:

None

3. Error Recovery Procedure:

Correct problem and restart acceptance on failing drive.

4. Approximate Run Time:

5 minutes/drive/port

b. Diskless Controller Test Part II (Static 1B) DEC-11-DZRJH

1. Run Procedure:

Run two passes using default parameters (both ports).

ENGINEERING SPECIFICATION

digital

CONTINUATION SHEET

TITLE RJP05/6 FIELD ACCEPTANCE TEST

b. Diskless Controller Test Part II (Static 1B) DEC-110DZRJH (Cont.)

2. Errors Allowed:

NONE

3. Error Recovery Procedure:

Correct problem and restart acceptance on failing drive.

4. Approximate Run Time:

10 minutes/drive/port

c. Functional Controller Test Part II (Static 2A) DEC-11-DZRJI

1. Run Procedure:

Run two passes using default parameters (both ports).

2. Errors Allowed:

Only pack attributable errors.

3. Error Recovery Procedure:

Correct problem and restart acceptance on failing drive.

4. Approximate Run Time:

5 minutes/drive/port

d. Functional Controller Test Part II (Static 2B) DEC-11-DZRJJ

1. Run Procedure:

Run two passes using default parameters (both ports).

2. Errors Allowed:

Only pack attributable errors.

3. Error Recovery Procedure:

Correct problem and restart acceptance on failing drive.

4. Approximate Run Time:

5 minutes/drive/port

SIZE A	CODE SP	NUMBER RP05-0-1	REV
-----------	------------	--------------------	-----

SIZE A	CODE SP	NUMBER RP05-0-1	REV
-----------	------------	--------------------	-----

ENGINEERING SPECIFICATION

000001

CONTINUATION SHEET

TITLE RJP05/6 FIELD ACCEPTANCE TEST

- e. Dual Controller Logic Test - Part 1 MAINDEC-11-DZRJE
 - 1. Run Procedure:
 - a. Install dual controller option test cable P/N 70-10507-02.
 - b. Run two passes using default parameters.
 - 2. Errors Allowed:
 - Pack attributable errors only.
 - 3. Error Recovery Procedure:
 - Correct problem and restart acceptance on failing drive.
 - 4. Approximate Run Time:
 - 5 minutes/drive
- f. Dual Controller Logic Test - Part 2 MAINDEC-11-DZRJF
 - 1. Run Procedure:
 - a. Install dual controller option test cable P/N 70-10507-02.
 - b. Run one pass using default parameters.
 - 2. Errors Allowed:
 - NONE
 - 3. Error Recovery Procedure:
 - Correct problem and restart acceptance on failing drive.
 - 4. Approximate Run Time:
 - 5 Minutes/drive

SIZE	CODE	NUMBER	REV
A	SP	RP05-0-1	

ENGINEERING SPECIFICATION

000001

CONTINUATION SHEET

TITLE RJP05/6 FIELD ACCEPTANCE TEST

- G. Format MAINDEC -11-DZRPL
 - 1. Run Procedure:
 - Run per following chart (one port only).
- | DRV | DRV 1 | DRV 2 | DRV 3 | DRV 4 | DRV 5 | DRV 6 | DRV 7 |
|---|---|---|---|---|---|---|---|
| Default
Option (1)
Write
Check (1) | Write
Check (1)
Default
Option (2)
Write
Check (2) | Write
Check (1)
Write
Check (2)
Default
Option (3)
Write
Check (3) | Write
Check (1)
Write
Check (2)
Write
Check (3)
Default
Option (4)
Write
Check (4) | Write
Check (1)
Write
Check (2)
Write
Check (3)
Write
Check (4)
Default
Option (5)
Write
Check (5) | Write
Check (1)
Write
Check (2)
Write
Check (3)
Write
Check (4)
Write
Check (5)
Default
Option (6)
Write
Check (6) | Write
Check (1)
Write
Check (2)
Write
Check (3)
Write
Check (4)
Write
Check (5)
Write
Check (6)
Default
Option (7)
Write
Check (7) | Write
Check (1)
Write
Check (2)
Write
Check (3)
Write
Check (4)
Write
Check (5)
Write
Check (6)
Write
Check (7)
Default
Option (8)
Write
Check (8) |

SIZE	CODE	NUMBER	REV
A	SP	RP05-0-1	

ENGINEERING SPECIFICATION

010101

CONTINUATION SHEET

TITLE RJP05/6 FIELD ACCEPTANCE TEST

- 2. Errors allowed:
Pack attributable errors only.
- 3. Error Recovery Procedure:
Correct problem and restart acceptance on failing drive.
- 4. Approximate Run Time:
15 minutes/drive
- h. Mechanical R/W MAINDEC -11-DZRJA
 - 1. Run Procedure:
 - a. One pass all tests default parameter, (one port only).
 - b. Ten passes test 0 - 6. (one port only)
 - 2. Errors allowed:
Only pack attributable errors. (See Note 1)
 - 3. Error Recovery Procedure:
Correct problem and restart acceptance on failing drive.
 - 4. Approximate Run Time:
One hour fifteen minutes/drive/port RP05
2.5 hours /drive/port RP06
- i. Multi-Drive Exercisor MAINDEC-11-DZRJD
 - 1. Run Procedure:
Run all drives default parameters until 6.25×10^7 words have been transferred on all drives. (Run both ports simultaneously).
 - 2. Errors Allowed:
One soft error that is not pack attributable (See Note 1).
 - 3. Error Recovery Procedure:
Drop failing drive from test. Continue test on remaining drives. Correct problem and restart acceptance on failing drive.

SIZE	CODE	NUMBER	REV
A	SP	RP05-0-1	

ENGINEERING SPECIFICATION

010101

CONTINUATION SHEET

TITLE RJP05/6 FIELD ACCEPTANCE TEST

- 4. Approximate Run Time:
2 hours/drive
 - j. DEC-X-11
 - 1. Run configured for system with default parameters for one hours (both ports).
 - 2. Errors Allowed:
Two system soft errors that are not media attributable (see notes 1 and 2).
 - 3. Error Recovery Procedure:
Drop failing drive and continue test on remaining drives. Correct problem and restart acceptance on failing drive.
- TOTAL TIME TO RUN TESTS A THRU J, IN THE ABSENCE OF FAILURES-
- 4.5 HRS PER RP05
 - 5.5 HRS PER RP06
- NOTE 1: Use same pack as used for format test g.
- NOTE 2: Data rates are to be expected on heavily loaded systems and, as such, should not be considered as errors. Engineering guidelines will be available at a later date.

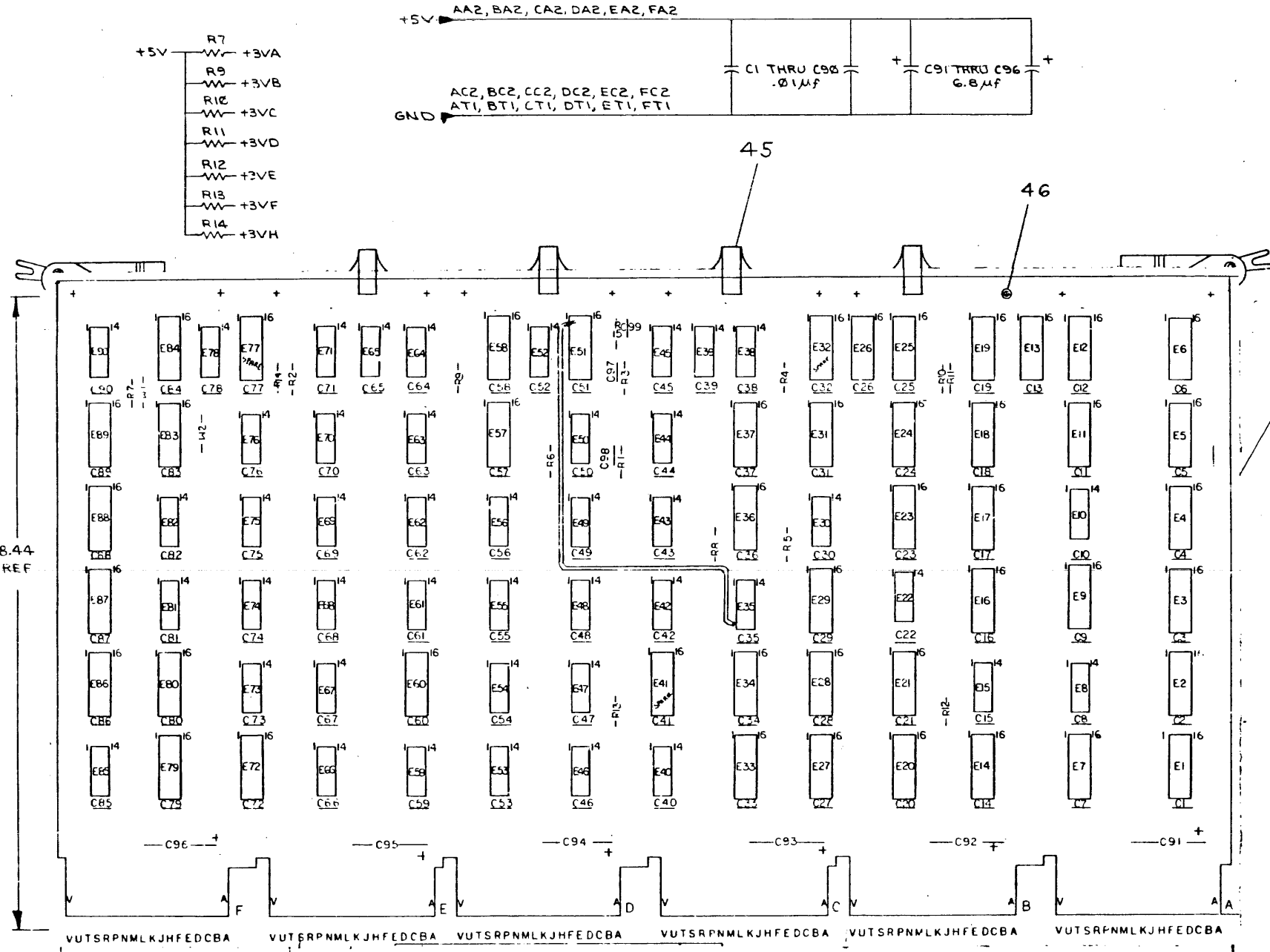
SIZE	CODE	NUMBER	REV
A	SP	RP05-0-1	

1. UNLESS OTHERWISE SPECIFIED, CAPACITANCE IS IN MICROFARADS.
 2. RESISTOR VALUES R7, R9 THRU R14 ARE 330Ω.

NOTE:

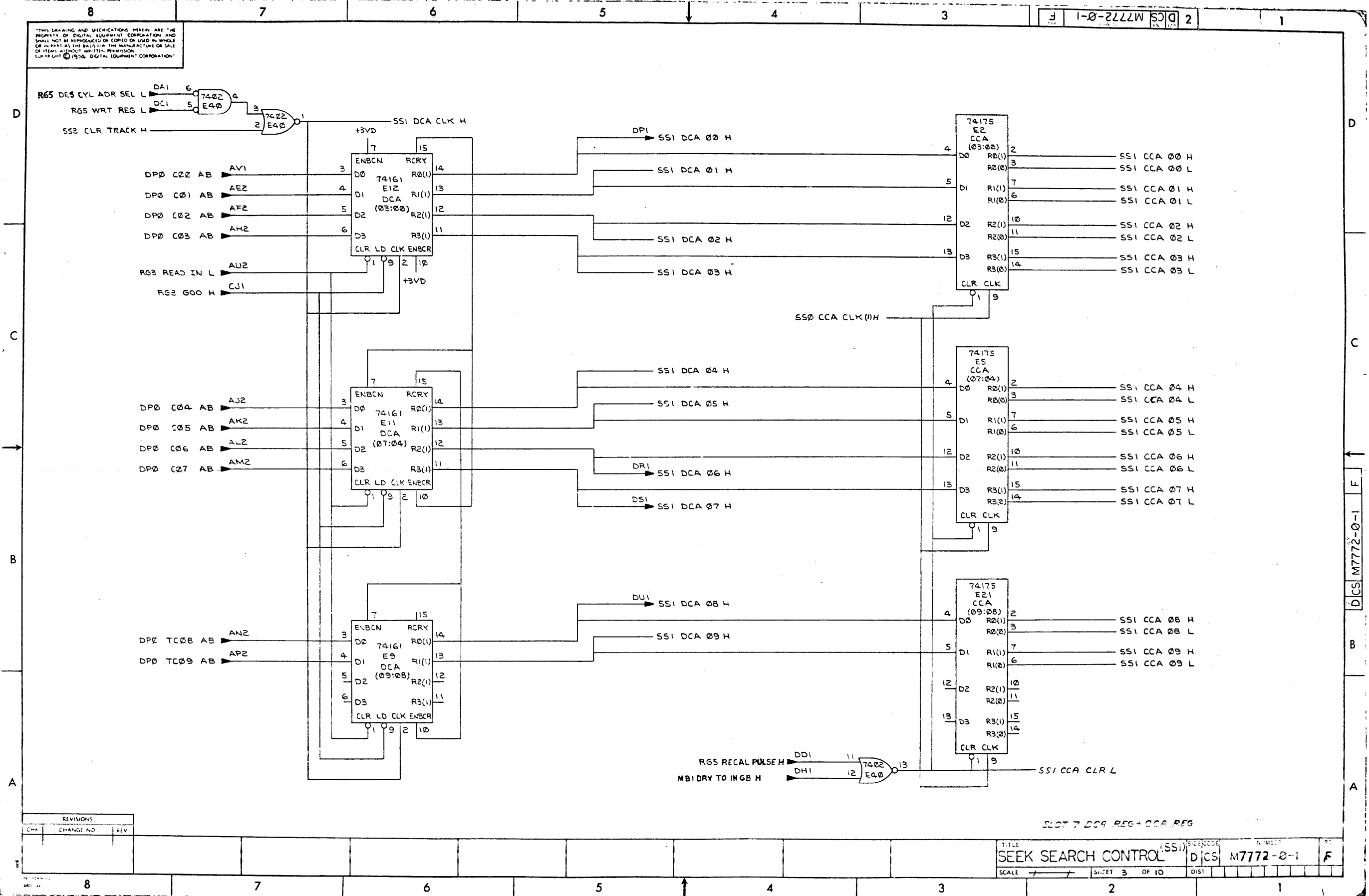
Copyright © 1974 DIGITAL EQUIPMENT CORPORATION

NOTE:
 1. UNLESS OTHERWISE SPECIFIED, CAPACITANCE IS IN MICROFARADS.
 2. RESISTOR VALUES R7, R9 THRU R14 ARE 330Ω.



QTY	REF DESIGNATION	DESCRIPTION	PART NO.	ITEM NO.
2	W1, W2	INSULATED JUMPER WIRE	8009185	82
				51
1	R15	RES 5.6K 1/4 W 5%	1301874	49
1	C99	CAP 82PF 100V	1000015	48
1	E68	IC 74H20	1905635	47
12		EYELET, GS-4-7	9006732	46
1		HANDLE, MODULE	1210711-2	45
1	E75	IC 7432	1911521	44
7	E1, E6, E7, E14, E20, E27, E33	IC 8234	1911315	43
3	E79, E83, E86	IC 74S175	1910957	42
2	E15, E64	IC 7427	1910878	41
3	E2, E5, E21	IC 74175	1910651	40
10	E9, E11, E13, E16, E18, E22, E24, E27, E31, E33, E35, E37, E39, E41, E43, E45, E47, E49, E51, E53, E55, E57, E59, E61, E63, E65, E67, E69, E71, E73, E75, E77, E79, E81, E83, E85, E87, E89, E91, E93, E95, E97, E99, E101, E103, E105, E107, E109, E111, E113, E115, E117, E119, E121, E123, E125, E127, E129, E131, E133, E135, E137, E139, E141, E143, E145, E147, E149, E151, E153, E155, E157, E159, E161, E163, E165, E167, E169, E171, E173, E175, E177, E179, E181, E183, E185, E187, E189, E191, E193, E195, E197, E199, E201, E203, E205, E207, E209, E211, E213, E215, E217, E219, E221, E223, E225, E227, E229, E231, E233, E235, E237, E239, E241, E243, E245, E247, E249, E251, E253, E255, E257, E259, E261, E263, E265, E267, E269, E271, E273, E275, E277, E279, E281, E283, E285, E287, E289, E291, E293, E295, E297, E299, E301, E303, E305, E307, E309, E311, E313, E315, E317, E319, E321, E323, E325, E327, E329, E331, E333, E335, E337, E339, E341, E343, E345, E347, E349, E351, E353, E355, E357, E359, E361, E363, E365, E367, E369, E371, E373, E375, E377, E379, E381, E383, E385, E387, E389, E391, E393, E395, E397, E399, E401, E403, E405, E407, E409, E411, E413, E415, E417, E419, E421, E423, E425, E427, E429, E431, E433, E435, E437, E439, E441, E443, E445, E447, E449, E451, E453, E455, E457, E459, E461, E463, E465, E467, E469, E471, E473, E475, E477, E479, E481, E483, E485, E487, E489, E491, E493, E495, E497, E499, E501, E503, E505, E507, E509, E511, E513, E515, E517, E519, E521, E523, E525, E527, E529, E531, E533, E535, E537, E539, E541, E543, E545, E547, E549, E551, E553, E555, E557, E559, E561, E563, E565, E567, E569, E571, E573, E575, E577, E579, E581, E583, E585, E587, E589, E591, E593, E595, E597, E599, E601, E603, E605, E607, E609, E611, E613, E615, E617, E619, E621, E623, E625, E627, E629, E631, E633, E635, E637, E639, E641, E643, E645, E647, E649, E651, E653, E655, E657, E659, E661, E663, E665, E667, E669, E671, E673, E675, E677, E679, E681, E683, E685, E687, E689, E691, E693, E695, E697, E699, E701, E703, E705, E707, E709, E711, E713, E715, E717, E719, E721, E723, E725, E727, E729, E731, E733, E735, E737, E739, E741, E743, E745, E747, E749, E751, E753, E755, E757, E759, E761, E763, E765, E767, E769, E771, E773, E775, E777, E779, E781, E783, E785, E787, E789, E791, E793, E795, E797, E799, E801, E803, E805, E807, E809, E811, E813, E815, E817, E819, E821, E823, E825, E827, E829, E831, E833, E835, E837, E839, E841, E843, E845, E847, E849, E851, E853, E855, E857, E859, E861, E863, E865, E867, E869, E871, E873, E875, E877, E879, E881, E883, E885, E887, E889, E891, E893, E895, E897, E899, E901, E903, E905, E907, E909, E911, E913, E915, E917, E919, E921, E923, E925, E927, E929, E931, E933, E935, E937, E939, E941, E943, E945, E947, E949, E951, E953, E955, E957, E959, E961, E963, E965, E967, E969, E971, E973, E975, E977, E979, E981, E983, E985, E987, E989, E991, E993, E995, E997, E999, E1001, E1003, E1005, E1007, E1009, E1011, E1013, E1015, E1017, E1019, E1021, E1023, E1025, E1027, E1029, E1031, E1033, E1035, E1037, E1039, E1041, E1043, E1045, E1047, E1049, E1051, E1053, E1055, E1057, E1059, E1061, E1063, E1065, E1067, E1069, E1071, E1073, E1075, E1077, E1079, E1081, E1083, E1085, E1087, E1089, E1091, E1093, E1095, E1097, E1099, E1101, E1103, E1105, E1107, E1109, E1111, E1113, E1115, E1117, E1119, E1121, E1123, E1125, E1127, E1129, E1131, E1133, E1135, E1137, E1139, E1141, E1143, E1145, E1147, E1149, E1151, E1153, E1155, E1157, E1159, E1161, E1163, E1165, E1167, E1169, E1171, E1173, E1175, E1177, E1179, E1181, E1183, E1185, E1187, E1189, E1191, E1193, E1195, E1197, E1199, E1201, E1203, E1205, E1207, E1209, E1211, E1213, E1215, E1217, E1219, E1221, E1223, E1225, E1227, E1229, E1231, E1233, E1235, E1237, E1239, E1241, E1243, E1245, E1247, E1249, E1251, E1253, E1255, E1257, E1259, E1261, E1263, E1265, E1267, E1269, E1271, E1273, E1275, E1277, E1279, E1281, E1283, E1285, E1287, E1289, E1291, E1293, E1295, E1297, E1299, E1301, E1303, E1305, E1307, E1309, E1311, E1313, E1315, E1317, E1319, E1321, E1323, E1325, E1327, E1329, E1331, E1333, E1335, E1337, E1339, E1341, E1343, E1345, E1347, E1349, E1351, E1353, E1355, E1357, E1359, E1361, E1363, E1365, E1367, E1369, E1371, E1373, E1375, E1377, E1379, E1381, E1383, E1385, E1387, E1389, E1391, E1393, E1395, E1397, E1399, E1401, E1403, E1405, E1407, E1409, E1411, E1413, E1415, E1417, E1419, E1421, E1423, E1425, E1427, E1429, E1431, E1433, E1435, E1437, E1439, E1441, E1443, E1445, E1447, E1449, E1451, E1453, E1455, E1457, E1459, E1461, E1463, E1465, E1467, E1469, E1471, E1473, E1475, E1477, E1479, E1481, E1483, E1485, E1487, E1489, E1491, E1493, E1495, E1497, E1499, E1501, E1503, E1505, E1507, E1509, E1511, E1513, E1515, E1517, E1519, E1521, E1523, E1525, E1527, E1529, E1531, E1533, E1535, E1537, E1539, E1541, E1543, E1545, E1547, E1549, E1551, E1553, E1555, E1557, E1559, E1561, E1563, E1565, E1567, E1569, E1571, E1573, E1575, E1577, E1579, E1581, E1583, E1585, E1587, E1589, E1591, E1593, E1595, E1597, E1599, E1601, E1603, E1605, E1607, E1609, E1611, E1613, E1615, E1617, E1619, E1621, E1623, E1625, E1627, E1629, E1631, E1633, E1635, E1637, E1639, E1641, E1643, E1645, E1647, E1649, E1651, E1653, E1655, E1657, E1659, E1661, E1663, E1665, E1667, E1669, E1671, E1673, E1675, E1677, E1679, E1681, E1683, E1685, E1687, E1689, E1691, E1693, E1695, E1697, E1699, E1701, E1703, E1705, E1707, E1709, E1711, E1713, E1715, E1717, E1719, E1721, E1723, E1725, E1727, E1729, E1731, E1733, E1735, E1737, E1739, E1741, E1743, E1745, E1747, E1749, E1751, E1753, E1755, E1757, E1759, E1761, E1763, E1765, E1767, E1769, E1771, E1773, E1775, E1777, E1779, E1781, E1783, E1785, E1787, E1789, E1791, E1793, E1795, E1797, E1799, E1801, E1803, E1805, E1807, E1809, E1811, E1813, E1815, E1817, E1819, E1821, E1823, E1825, E1827, E1829, E1831, E1833, E1835, E1837, E1839, E1841, E1843, E1845, E1847, E1849, E1851, E1853, E1855, E1857, E1859, E1861, E1863, E1865, E1867, E1869, E1871, E1873, E1875, E1877, E1879, E1881, E1883, E1885, E1887, E1889, E1891, E1893, E1895, E1897, E1899, E1901, E1903, E1905, E1907, E1909, E1911, E1913, E1915, E1917, E1919, E1921, E1923, E1925, E1927, E1929, E1931, E1933, E1935, E1937, E1939, E1941, E1943, E1945, E1947, E1949, E1951, E1953, E1955, E1957, E1959, E1961, E1963, E1965, E1967, E1969, E1971, E1973, E1975, E1977, E1979, E1981, E1983, E1985, E1987, E1989, E1991, E1993, E1995, E1997, E1999, E2001, E2003, E2005, E2007, E2009, E2011, E2013, E2015, E2017, E2019, E2021, E2023, E2025, E2027, E2029, E2031, E2033, E2035, E2037, E2039, E2041, E2043, E2045, E2047, E2049, E2051, E2053, E2055, E2057, E2059, E2061, E2063, E2065, E2067, E2069, E2071, E2073, E2075, E2077, E2079, E2081, E2083, E2085, E2087, E2089, E2091, E2093, E2095, E2097, E2099, E2101, E2103, E2105, E2107, E2109, E2111, E2113, E2115, E2117, E2119, E2121, E2123, E2125, E2127, E2129, E2131, E2133, E2135, E2137, E2139, E2141, E2143, E2145, E2147, E2149, E2151, E2153, E2155, E2157, E2159, E2161, E2163, E2165, E2167, E2169, E2171, E2173, E2175, E2177, E2179, E2181, E2183, E2185, E2187, E2189, E2191, E2193, E2195, E2197, E2199, E2201, E2203, E2205, E2207, E2209, E2211, E2213, E2215, E2217, E2219, E2221, E2223, E2225, E2227, E2229, E2231, E2233, E2235, E2237, E2239, E2241, E2243, E2245, E2247, E2249, E2251, E2253, E2255, E2257, E2259, E2261, E2263, E2265, E2267, E2269, E2271, E2273, E2275, E2277, E2279, E2281, E2283, E2285, E2287, E2289, E2291, E2293, E2295, E2297, E2299, E2301, E2303, E2305, E2307, E2309, E2311, E2313, E2315, E2317, E2319, E2321, E2323, E2325, E2327, E2329, E2331, E2333, E2335, E2337, E2339, E2341, E2343, E2345, E2347, E2349, E2351, E2353, E2355, E2357, E2359, E2361, E2363, E2365, E2367, E2369, E2371, E2373, E2375, E2377, E2379, E2381, E2383, E2385, E2387, E2389, E2391, E2393, E2395, E2397, E2399, E2401, E2403, E2405, E2407, E2409, E2411, E2413, E2415, E2417, E2419, E2421, E2423, E2425, E2427, E2429, E2431, E2433, E2435, E2437, E2439, E2441, E2443, E2445, E2447, E2449, E2451, E2453, E2455, E2457, E2459, E2461, E2463, E2465, E2467, E2469, E2471, E2473, E2475, E2477, E2479, E2481, E2483, E2485, E2487, E2489, E2491, E2493, E2495, E2497, E2499, E2501, E2503, E2505, E2507, E2509, E2511, E2513, E2515, E2517, E2519, E2521, E2523, E2525, E2527, E2529, E2531, E2533, E2535, E2537, E2539, E2541, E2543, E2545, E2547, E2549, E2551, E2553, E2555, E2557, E2559, E2561, E2563, E2565, E2567, E2569, E2571, E2573, E2575, E2577, E2579, E2581, E2583, E2585, E2587, E2589, E2591, E2593, E2595, E2597, E2599, E2601, E2603, E2605, E2607, E2609, E2611, E2613, E2615, E2617, E2619, E2621, E2623, E2625, E2627, E2629, E2631, E2633, E2635, E2637, E2639, E2641, E2643, E2645, E2647, E2649, E2651, E2653, E2655, E2657, E2659, E2661, E2663, E2665, E2667, E2669, E2671, E2673, E2675, E2677, E2679, E2681, E2683, E2685, E2687, E2689, E2691, E2693, E2695, E2697, E2699, E2701, E2703, E2705, E2707, E2709, E2711, E2713, E2715, E2717, E2719, E2721, E2723, E2725, E2727, E2729, E2731, E2733, E2735, E2737, E2739, E2741, E2743, E2745, E2747, E2749, E2751, E2753, E2755, E2757, E2759, E2761, E2763, E2765, E2767, E2769, E2771, E2773, E2775, E2777, E2779, E2781, E2783, E2785, E2787, E2789, E2791, E2793, E2795, E2797, E2799, E2801, E2803, E2805, E2807, E2809, E2811, E2813, E2815, E2817, E2819, E2821, E2823, E2825, E2827, E2829, E2831, E2833, E2835, E2837, E2839, E2841, E2843, E2845, E2847, E2849, E2851, E2853, E2855, E2857, E2859, E2861, E2863, E2865, E2867, E2869, E2871, E2873, E2875, E2877, E2879, E2881, E2883, E2885, E2887, E2889, E2891, E2893, E2895, E2897, E2899, E2901, E2903, E2905, E2907, E2909, E2911, E2913, E2915, E2917, E2919, E2921, E2923, E2925, E2927, E2929, E2931, E2933, E2935, E2937, E2939, E2941, E2943, E2945, E2947, E2949, E2951, E2953, E2955, E2957, E2959, E2961, E2963, E2965, E2967, E2969, E2971, E2973, E2975, E2977, E2979, E2981, E2983, E2985, E2987, E2989, E2991, E2993, E2995, E2997, E2999, E3001, E3003, E3005, E3007, E3009, E3011, E3013, E3015, E3017, E3019, E3021, E3023, E3025, E3027, E3029, E3031, E3033, E3035, E3037, E3039, E3041, E3043, E3045, E3047, E3049, E3051, E3053, E3055, E3057, E3059, E3061, E3063, E3065, E3067, E3069, E3071, E3073, E3075, E3077, E3079, E3081, E3083, E3085, E3087, E3089, E3091, E3093, E3095, E3097, E3099, E3101, E3103, E3105, E3107, E3109, E3111, E3113, E3115, E3117, E3119, E3121, E3123, E3125, E3127, E3129, E3131, E3133, E3135, E3137, E3139, E3141, E3143, E3145, E3147, E3149, E3151, E3153, E3155, E3157, E3159, E3161, E3163, E3165, E3167, E3169, E3171, E3173, E3175, E3177, E3179, E3181, E3183, E3185, E3187, E3189, E3191, E3193, E3195, E3197, E3199, E3201, E3203, E3205, E3207, E3209, E3211, E3213, E3215, E3217, E3219, E3221, E3223, E3225, E3227, E3229, E3231, E3233, E3235, E3237, E3239, E3241, E3243, E3245, E3247, E3249, E3251, E3253, E3255, E3257, E3259, E3261, E3263, E3265, E3267, E3269, E3271, E3273, E3275, E3277, E3279, E3281, E3283, E3285, E3287, E3289, E3291, E3293, E3295, E3297, E3299, E3301, E3303, E3305, E3307, E3309, E3311, E3313, E3315, E3317, E3319, E3321, E3323, E3325, E3327, E3329, E3331, E3333, E3335, E3337, E3339, E3341, E3343, E3345, E3347, E3349, E3351, E3353, E3355, E3357, E3359, E3361, E3363, E3365, E3367, E3369, E3371, E3373, E3375, E3377, E3379, E3381, E3383, E3385, E3387, E3389, E3391, E3393, E3395, E3397, E3399, E3401, E3403, E3405, E3407, E3409, E3411, E3413, E3415, E3417, E3419, E3421, E3423, E3425, E3427, E3429, E3431, E3433, E3435, E3437, E3439, E3441, E3443, E3445, E3447, E3449, E3451, E3453, E3455, E3457, E3459, E3461, E3463, E3465, E3467, E3469, E3471, E3473, E3475, E3477, E3479, E3481, E3483, E3485, E3487, E3489, E3491, E3493, E3495, E3497, E3499, E3501, E3503, E3505, E3507, E3509, E3511, E3513, E3515, E3517, E3519, E3521, E3523, E3525, E3527, E3529, E3531, E3533, E3535, E3537, E3539, E3541, E3543, E3545, E3547, E3549, E3551, E3553, E3555, E3557, E3559, E3561, E3563, E3565, E3567, E3569, E3571, E3573, E3575, E3577, E3579, E3581, E3583, E3585, E3587, E3589, E3591, E3593, E3595, E3597, E3599, E3601, E3603, E3605, E3607, E3609, E3611, E3613, E3615, E3617, E3619, E3621, E3623, E3625, E3627, E3629, E3631, E3633, E3635, E3637, E3639, E3641, E3643, E3645, E3647, E3649, E3651, E3653, E3655, E3657, E3659, E3661, E3663, E3665, E3667, E3669, E3671, E3673, E3675, E3677, E3679, E3681, E3683, E3685, E3687, E3689, E3691, E3693, E3695, E3697, E3699, E3701, E3703, E3705, E3707, E3709, E3711, E3713, E3715, E3717, E3719, E3721, E3723, E3725, E3727, E3729, E3731, E3733, E3735, E3737, E3739, E3741, E3743, E3745, E3747, E3749, E3751, E3753, E3755, E3757, E3759, E3761, E3763, E3765, E3767, E3769, E3771, E3773, E3775, E3777, E3779, E3781, E3783, E3785, E3787, E3789, E3791, E3793, E3795, E3797, E3799, E3801, E3803, E3805, E3807, E3809, E3811, E3813, E3815, E3817, E3819, E3821, E3823, E3825, E3827, E3829, E3831, E3833, E3835, E3837, E3839, E3841, E3843, E3845, E3847, E3849, E3851, E3853, E3855, E3857, E3859, E3861, E3863, E3865, E3867, E3869, E3871, E3873, E3875, E3877, E3879, E3881, E3883, E3885, E3887, E3889, E3891, E3893, E3895, E3897, E3899, E3901, E3903, E3905, E3907, E3909, E3911, E3913, E3915, E3917, E3919, E3921, E3923, E3925, E3927, E3929, E3931, E3933, E3935, E3937, E3939, E3941, E3943, E3945, E3947, E3949, E3951, E3953, E3955, E3957, E3959, E3961, E3963, E3965, E39			

THIS DRAWING AND SPECIFICATIONS HEREIN ARE THE PROPERTY OF DIGITAL EQUIPMENT CORPORATION AND SHALL NOT BE REPRODUCED OR COPIED OR USED IN WHOLE OR IN PART AS THE BASIS FOR THE MANUFACTURE OR SALE OF ITEMS WITHOUT WRITTEN PERMISSION. COPYRIGHT © 1970, DIGITAL EQUIPMENT CORPORATION.

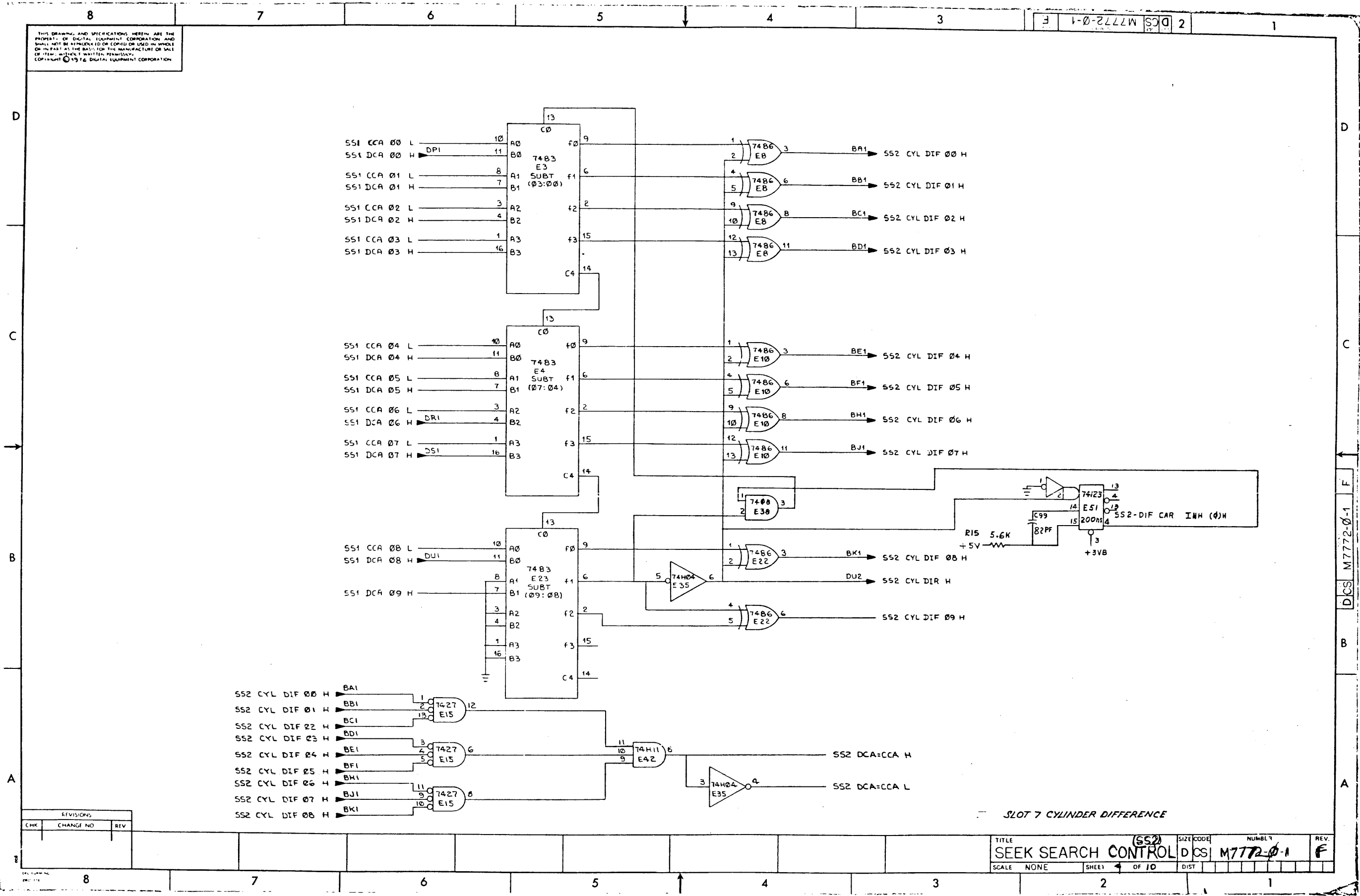


REVISIONS		
CHK	CHANGE NO	REV

SLOT 7 DCA REG - DCA REG

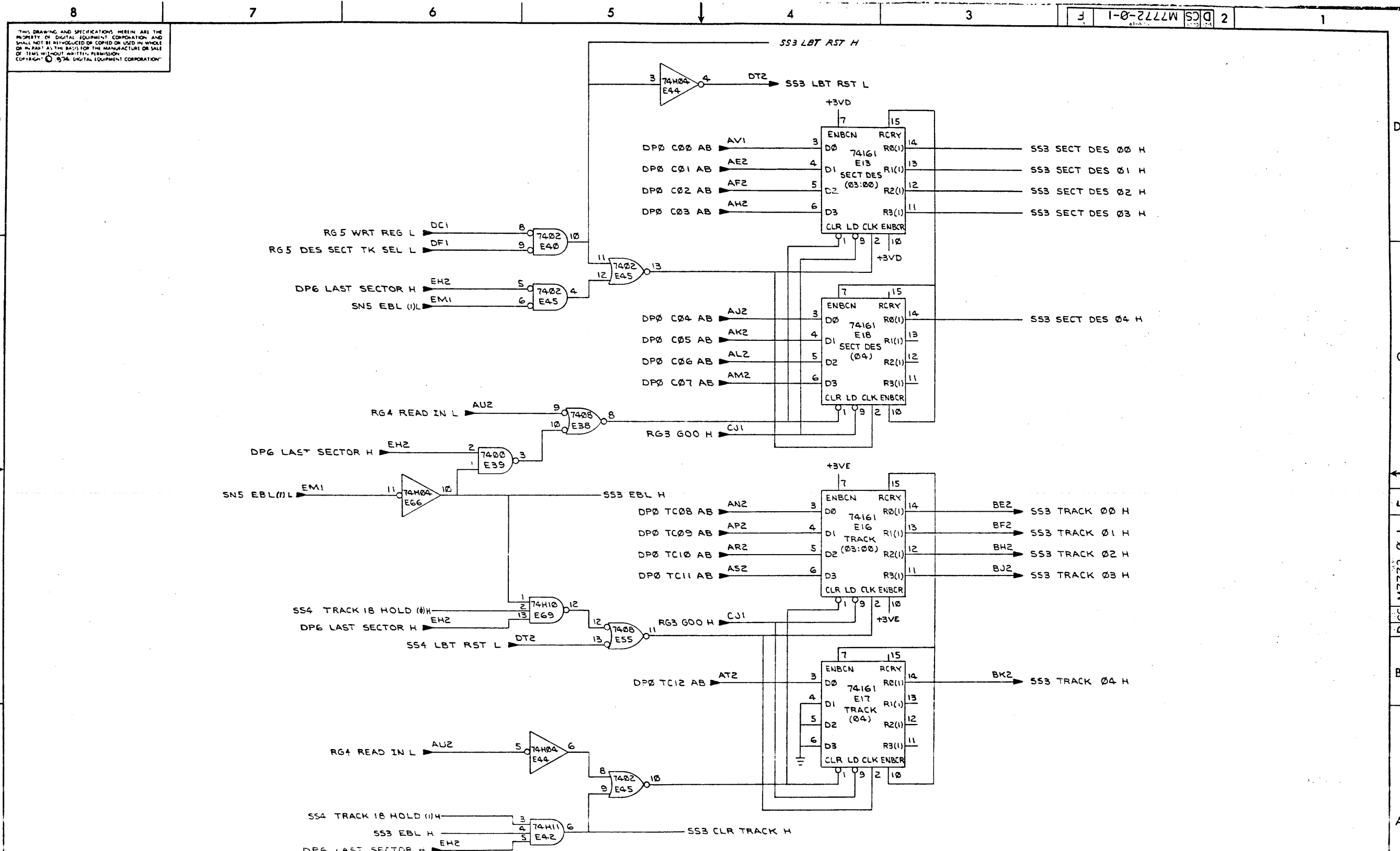
TITLE	SEEK SEARCH CONTROL (SSI)	SIZE/SCALE	D/CS	NUMBER	M7772-0-1	REV	F
SCALE	SHEET 3 OF 10		DIST				

THIS DRAWING AND SPECIFICATIONS HEREIN ARE THE PROPERTY OF DIGITAL EQUIPMENT CORPORATION AND SHALL NOT BE REPRODUCED OR COPIED OR USED IN WHOLE OR IN PART AS THE BASIS FOR THE MANUFACTURE OR SALE OF ITEMS WITHOUT WRITTEN PERMISSION. COPYRIGHT © 1974 DIGITAL EQUIPMENT CORPORATION



REVISIONS		
CHK	CHANGE NO	REV

SLOT 7 CYLINDER DIFFERENCE



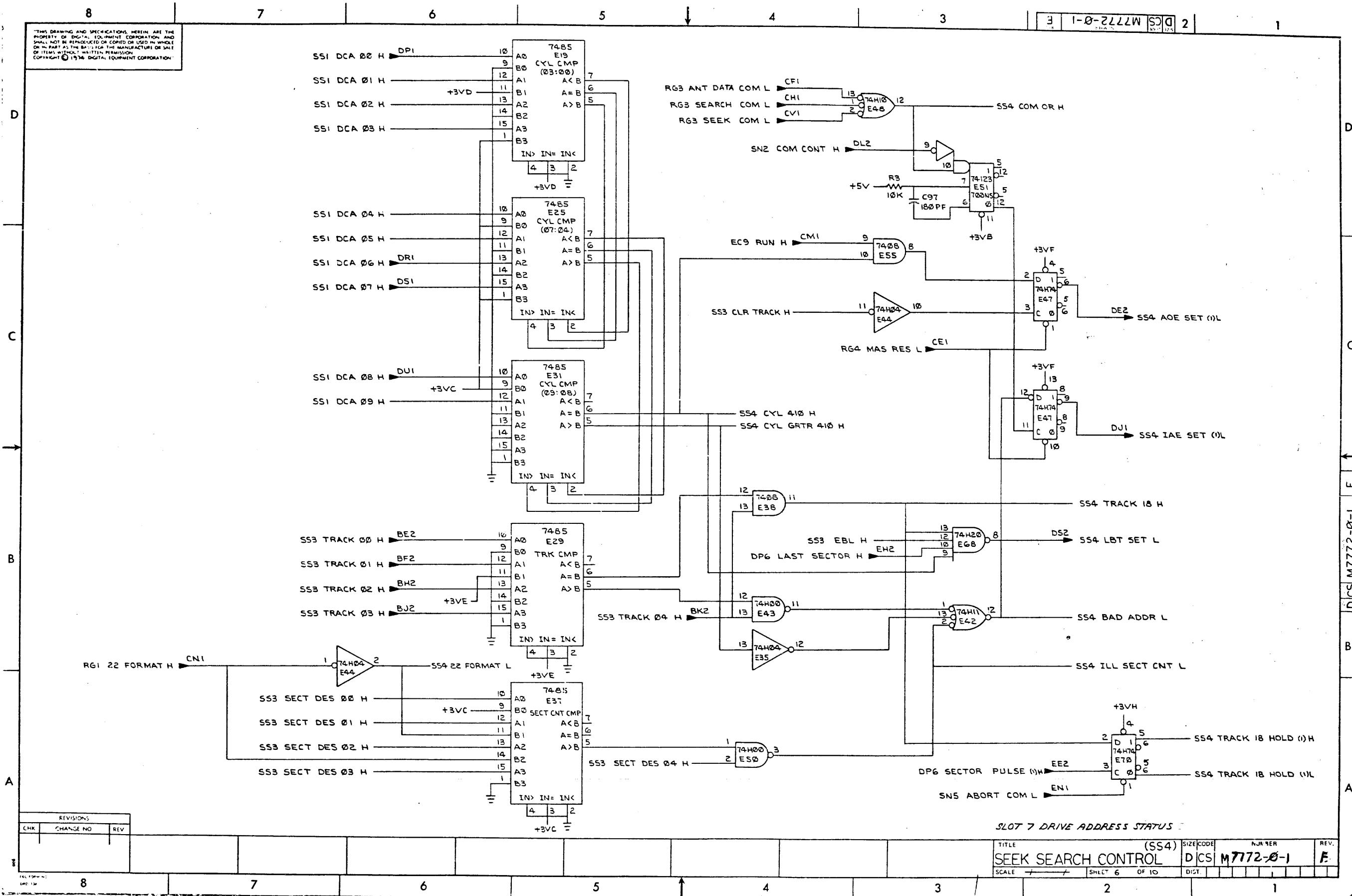
THIS DRAWING AND SPECIFICATIONS HEREIN ARE THE PROPERTY OF DIGITAL EQUIPMENT CORPORATION AND SHALL NOT BE REPRODUCED OR COPIED OR USED IN WHOLE OR IN PART AS THE BASIS FOR THE MANUFACTURE OR SALE OF ITEMS WITHOUT WRITTEN PERMISSION. COPYRIGHT © 1974, DIGITAL EQUIPMENT CORPORATION.

REVISIONS		
CHK	CHANGE NO	REV

SLOT 7 SECTOR/TRACK REGISTER

TITLE	(SS3) SIZE CODE	NUMBER	REV
SEEK SEARCH CONTROL	D CS	M7772-0-1	F
SCALE	SHEET 5 OF 10	DIST	

THIS DRAWING AND SPECIFICATIONS, HEREIN ARE THE PROPERTY OF DIGITAL EQUIPMENT CORPORATION, AND SHALL NOT BE REPRODUCED OR COPIED OR USED IN WHOLE OR IN PART AS THE BASIS FOR THE MANUFACTURE OR SALE OF ITEMS WITHOUT WRITTEN PERMISSION. COPYRIGHT © 1976 DIGITAL EQUIPMENT CORPORATION.



REVISIONS		
CHK	CHANGE NO	REV

SLOT 7 DRIVE ADDRESS STATUS

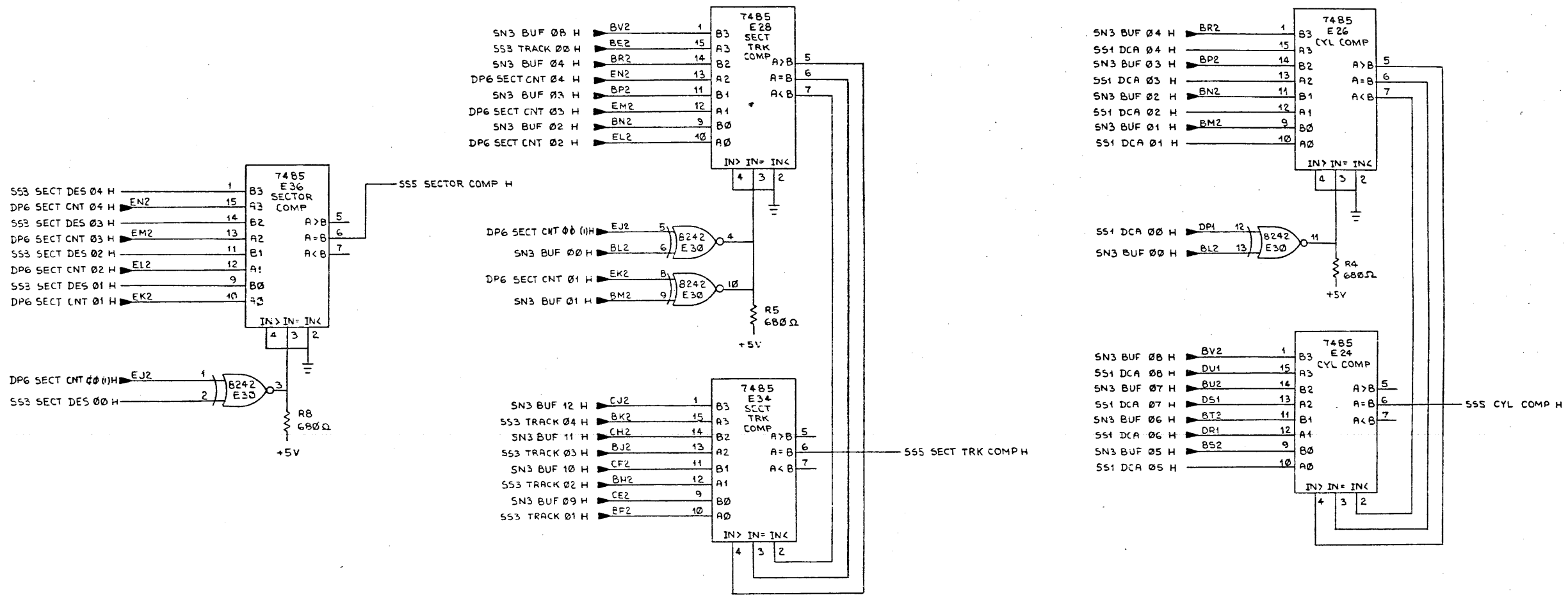
TITLE	(SS4)	SIZE CODE	NJA 9ER	REV.
SEEK SEARCH CONTROL	D/CSI	M772-0-1	E	
SCALE	SHEET 6	OF 10	DIST.	

DCS M772-0-1

"THIS DRAWING AND SPECIFICATIONS HEREIN ARE THE PROPERTY OF DIGITAL EQUIPMENT CORPORATION AND SHALL NOT BE REPRODUCED OR COPIED OR USED IN WHOLE OR IN PART AS THE BASIS FOR THE MANUFACTURE OR SALE OF ITEMS WITHOUT WRITTEN PERMISSION. COPYRIGHT © 1974, DIGITAL EQUIPMENT CORPORATION"

D
C
B
A

D
C
B
A



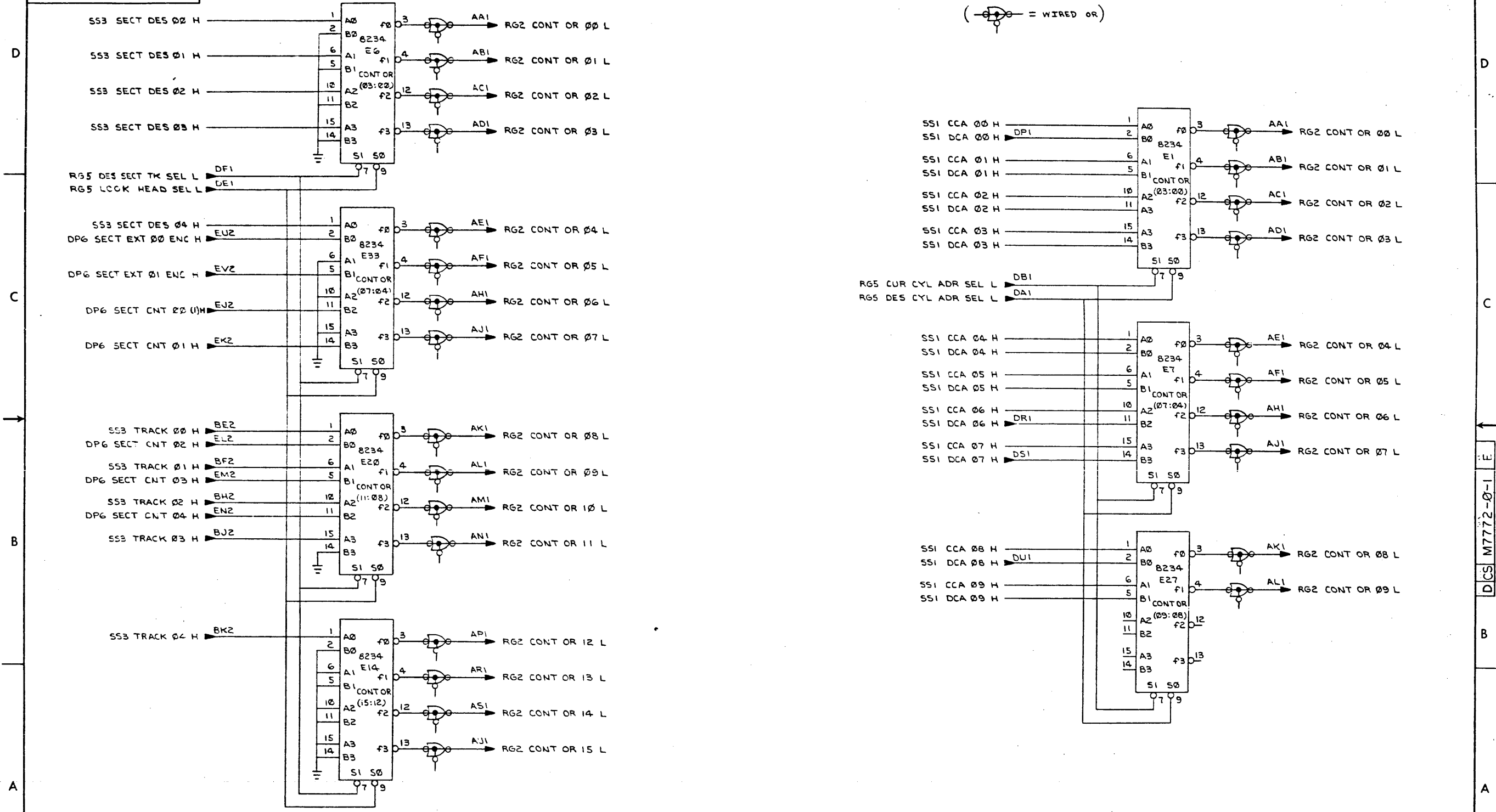
CHK	CHANGE NO	REV

SLOT 7 CYLINDER, TRACK-SECTOR COMPARE

TITLE	(S55)	SIZE CODE	NUMBER	REV
SEEK SEARCH CONTROL	DCS	M7772-0-1	F	
SCALE	NONE	SHEET	7 OF 10	DIST.

THIS DRAWING AND SPECIFICATIONS HEREIN ARE THE PROPERTY OF DIGITAL EQUIPMENT CORPORATION AND SHALL NOT BE REPRODUCED OR COPIED OR USED IN WHOLE OR IN PART AS THE BASIS FOR THE MANUFACTURE OR SALE OF ITEMS WITHOUT WRITTEN PERMISSION. COPYRIGHT © 1976, DIGITAL EQUIPMENT CORPORATION.

DCS M7772-0-1 2



REVISIONS		
CHK	CHANGE NO	REV

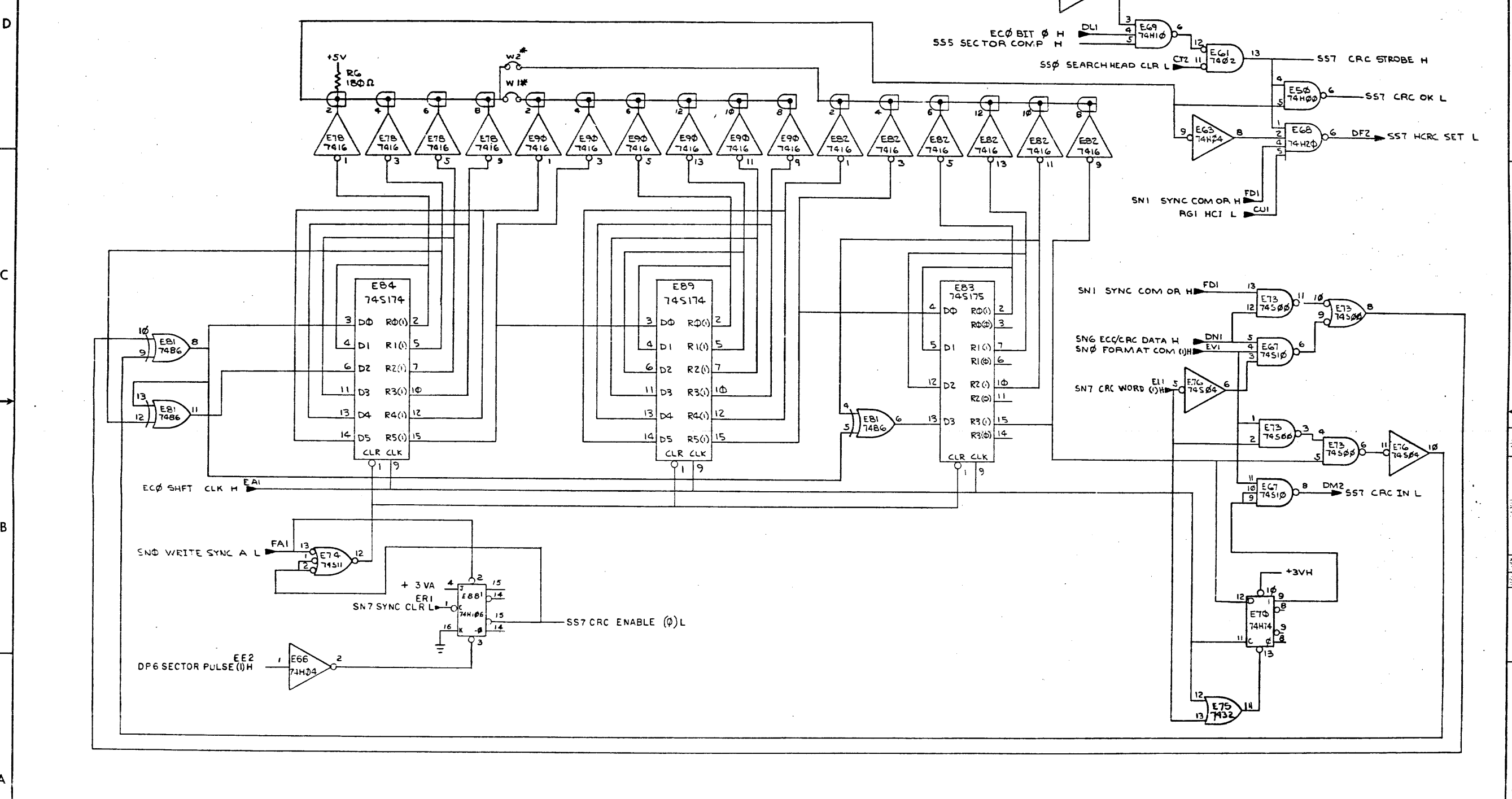
DES SECT/TRK REG/LOOKAHEAD REG MUX;
SLOT 7 DCA REG/CCA REG MUX

TITLE	(SS6)	SIZE CODE	NUMBER	REV.
SEEK SEARCH CONTROL	DCS	M7772-0-1	F	
SCALE	SHEET	OF	DIST.	

"THIS DRAWING AND SPECIFICATIONS HEREIN ARE THE PROPERTY OF DIGITAL EQUIPMENT CORPORATION AND SHALL NOT BE REPRODUCED OR COPIED OR USED IN WHOLE OR IN PART AS THE BASIS FOR THE MANUFACTURE OR SALE OF ITEMS WITHOUT WRITTEN PERMISSION. COPYRIGHT © 1974 DIGITAL EQUIPMENT CORPORATION"

⊕ = WIRED AND

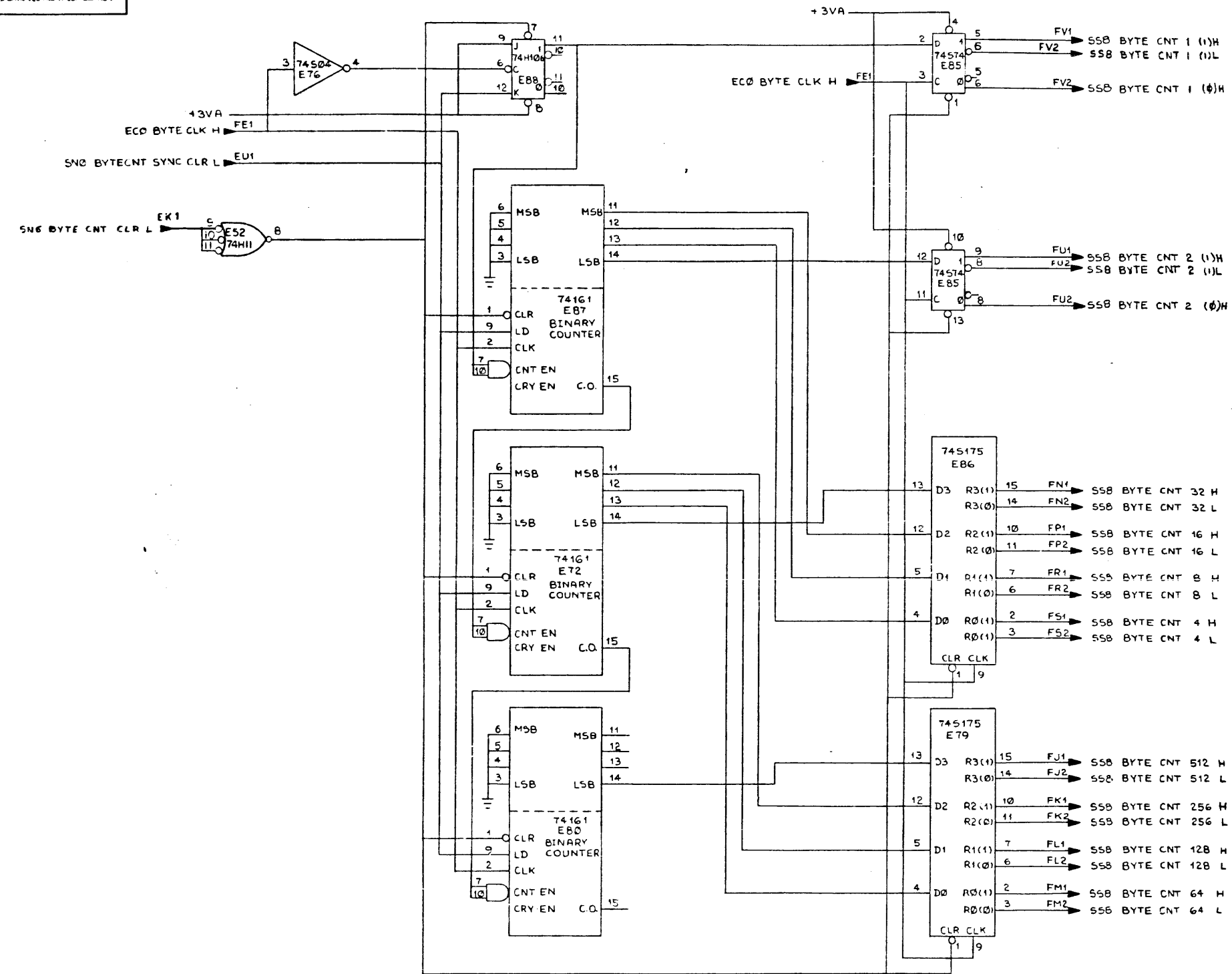
* W1 + W2 ARE FOR TROUBLE-SHOOTING PURPOSES.



REVISIONS		
NO.	DESCRIPTION	REV.

SLOT 7 CRC CIRCUITRY

THIS DRAWING AND SPECIFICATIONS HEREIN ARE THE PROPERTY OF DIGITAL EQUIPMENT CORPORATION AND SHALL NOT BE REPRODUCED OR COPIED OR USED IN WHOLE OR IN PART AS THE BASIS FOR THE MANUFACTURE OR SALE OF ITEMS WITHOUT WRITTEN PERMISSION. COPYRIGHT © 1974 DIGITAL EQUIPMENT CORPORATION.



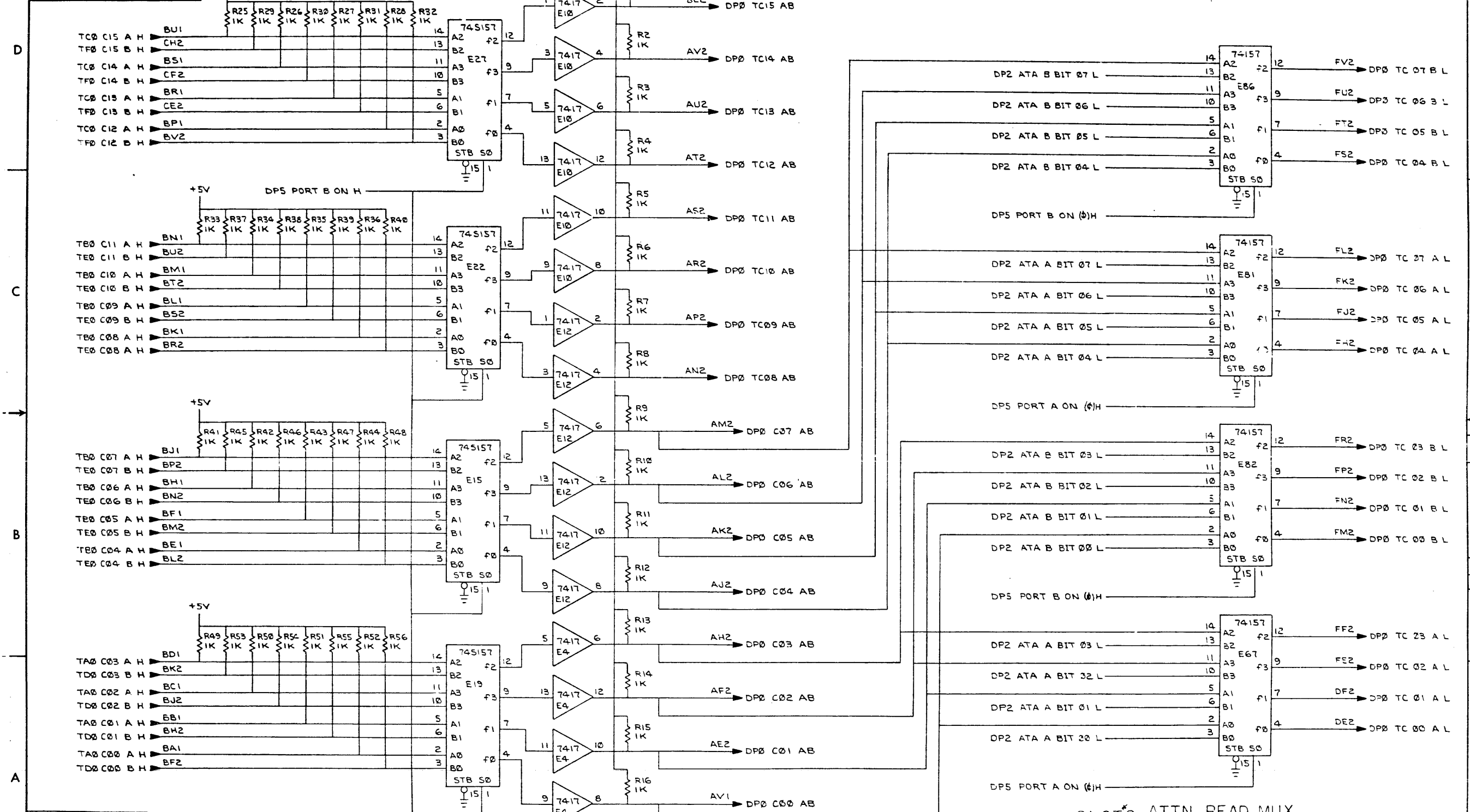
REVISIONS		
CHR	CHANGE NO	REV

TITLE		(SSB)	SIZE CODE	NUMBER	REV
SEEK SEARCH CONTROL		D	CS	M7772-0-1	F
SCALE	NONE	SHEET	10	OF	10
DIST					

SLOT 7 BYTE COUNTER

THIS DRAWING AND SPECIFICATIONS HEREIN ARE THE PROPERTY OF DIGITAL EQUIPMENT CORPORATION AND SHALL NOT BE REPRODUCED OR COPIED OR USED IN WHOLE OR IN PART AS THE BASIS FOR THE MANUFACTURE OR SALE OF ITEMS WITHOUT WRITTEN PERMISSION. COPYRIGHT © 1973 DIGITAL EQUIPMENT CORPORATION.

NOTE

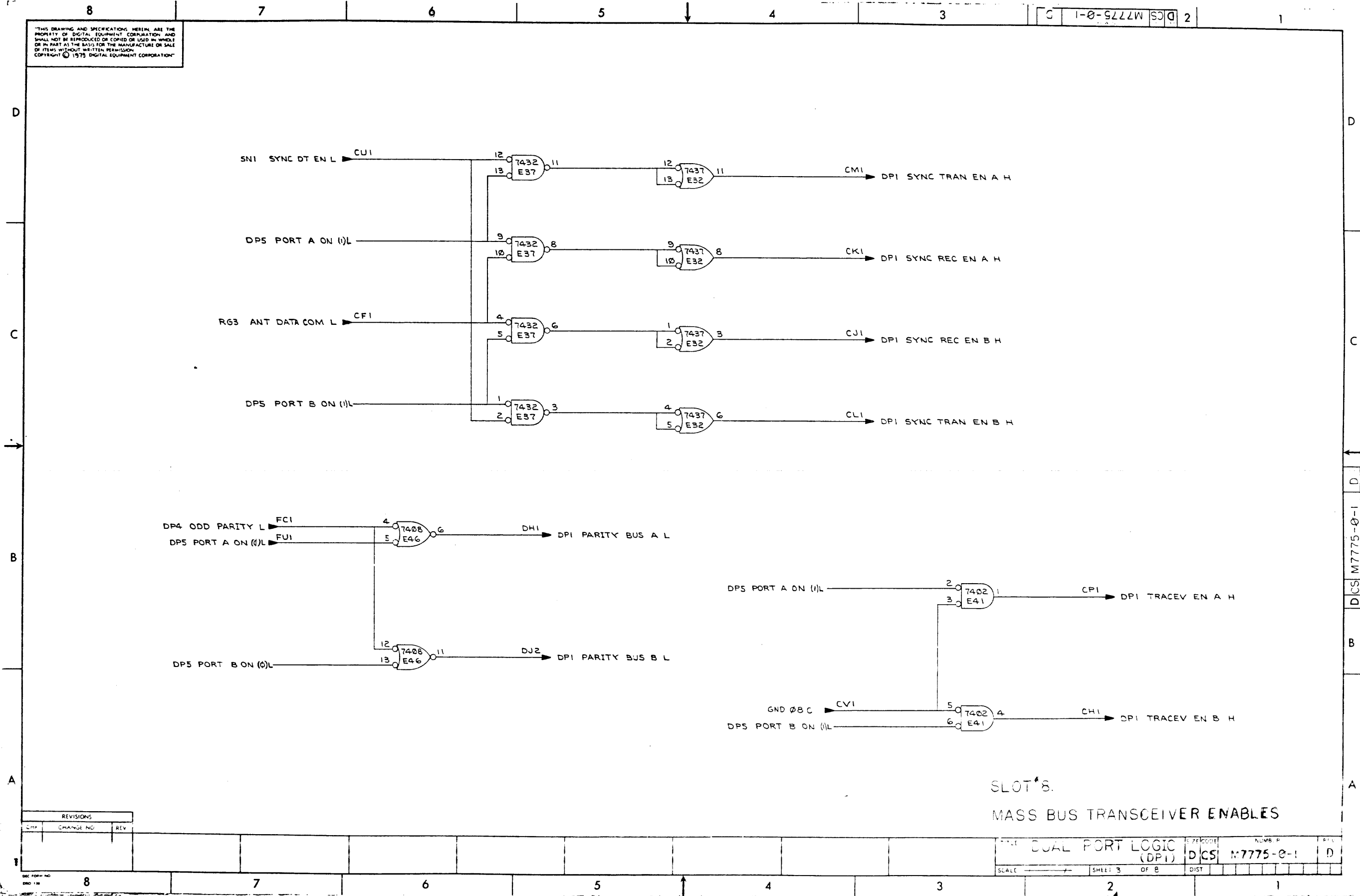


REVISIONS		
CHK	CHANGE NO	REV

SLOT 8: ATTN READ MUX CONTROL BUS INPUT MUX.

THIS DRAWING AND SPECIFICATIONS HEREIN ARE THE PROPERTY OF DIGITAL EQUIPMENT CORPORATION AND SHALL NOT BE REPRODUCED OR COPIED OR USED IN WHOLE OR IN PART AS THE BASIS FOR THE MANUFACTURE OR SALE OF ITEMS WITHOUT WRITTEN PERMISSION. COPYRIGHT © 1975 DIGITAL EQUIPMENT CORPORATION.

1-0-9222W DCS M7775-0-1



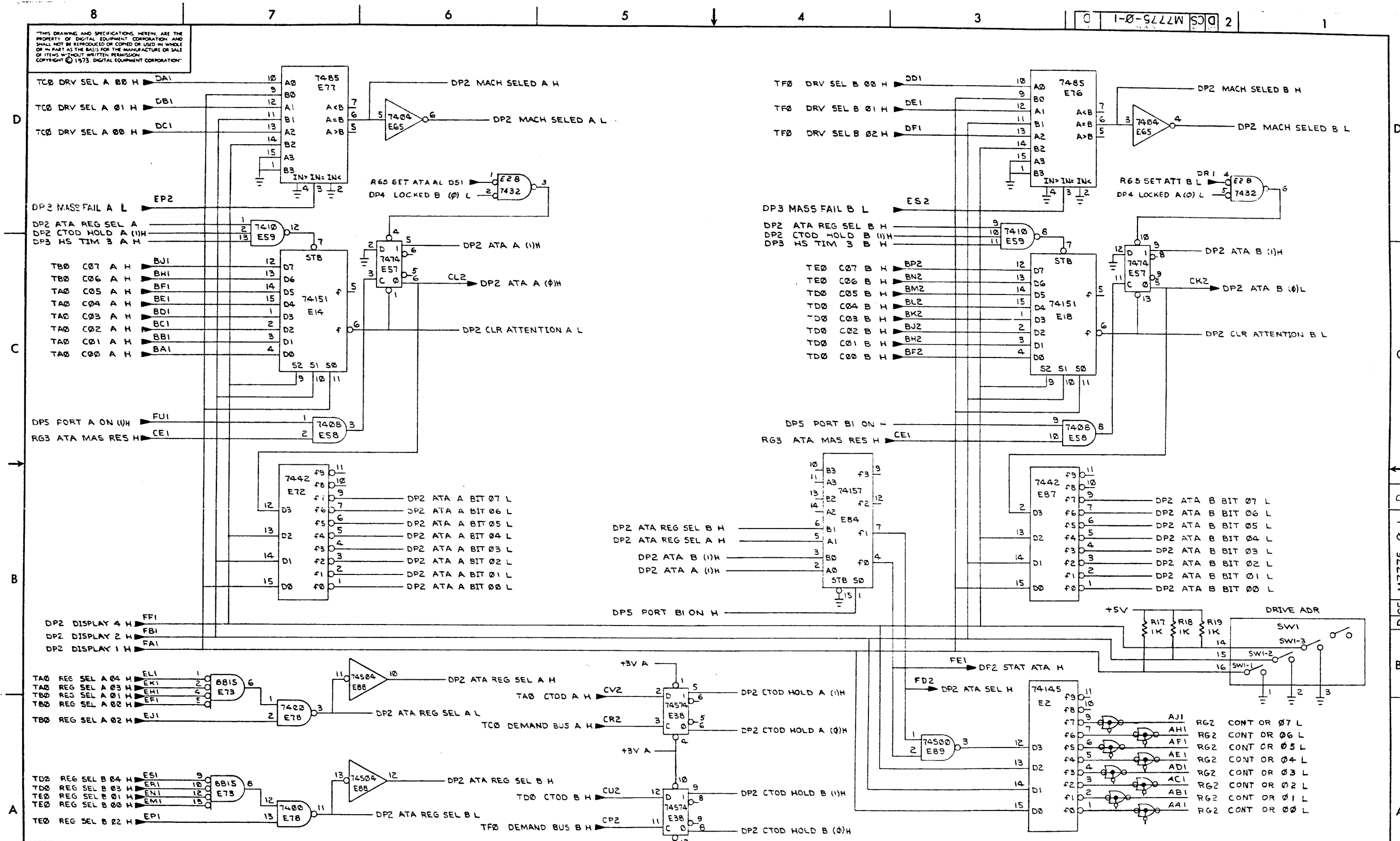
SLOT 8.
MASS BUS TRANSCEIVER ENABLES

REVISIONS		
CHG	CHANGE NO.	REV

FILE	DUAL PORT LOGIC (DPI)	SIZE CODE	DCS	NUMB P	M7775-0-1	REV	D
SCALE		SHEET 3	OF 8	DIST			

DEC FORM NO 8

THIS DRAWING AND SPECIFICATIONS HEREIN ARE THE PROPERTY OF DIGITAL EQUIPMENT CORPORATION AND SHALL NOT BE REPRODUCED OR COPIED OR USED IN WHOLE OR IN PART AS THE BASIS FOR THE MANUFACTURE OR SALE OF ITEMS WITHOUT WRITTEN PERMISSION. COPYRIGHT © 1973, DIGITAL EQUIPMENT CORPORATION.



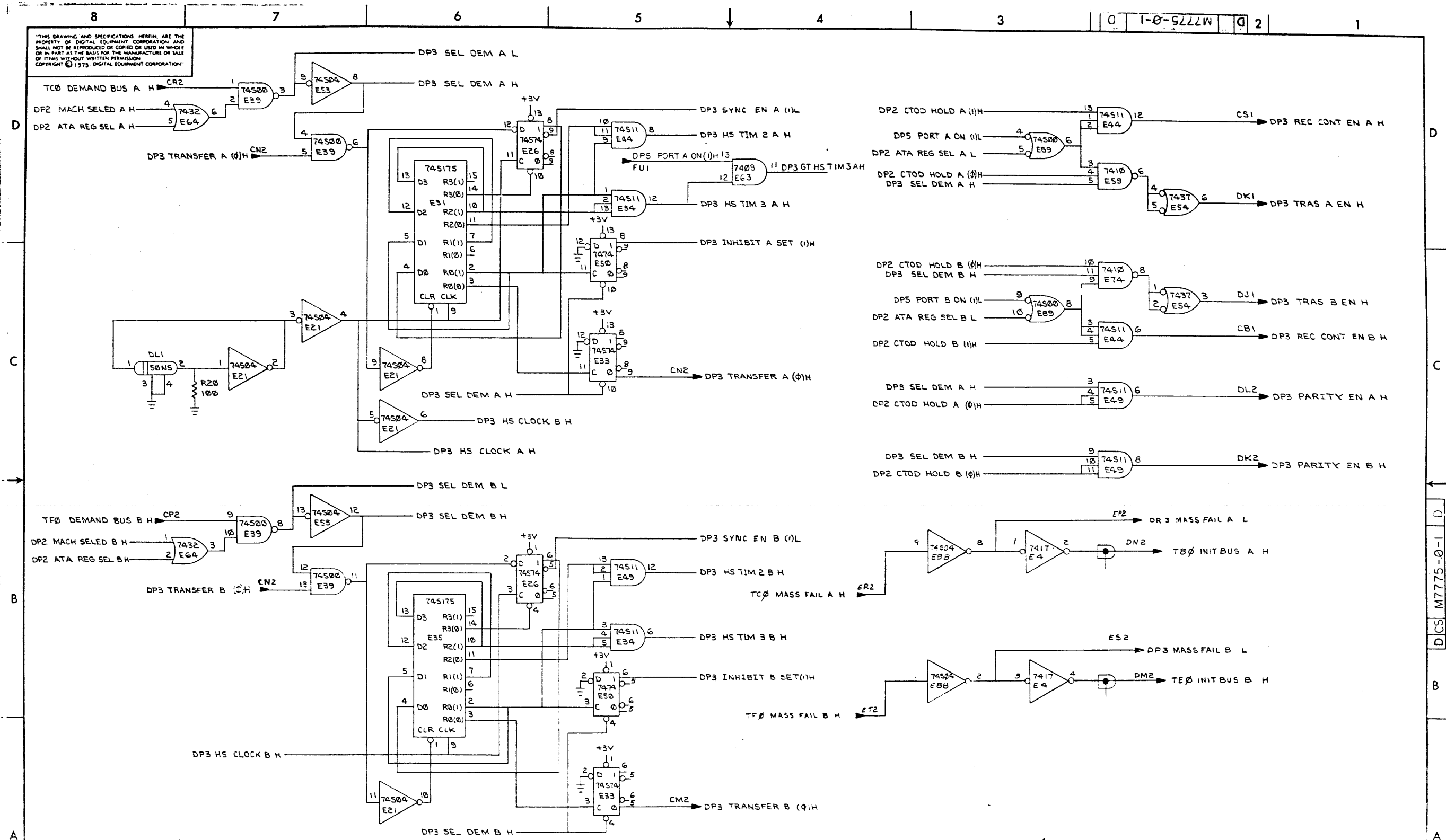
SLOT #8: ATTENTION REG. MUX / ATTN REG.

REVISIONS		
CHK	CHANGE NO	REV

TITLE	DUAL PORT LOGIC (DP2)	SIZE CODE	D CS	PLUMBE I	REV.	D
SCALE	+	SHEET	4	OF 6	DIST.	

DCS M7775-0-1 D

THIS DRAWING AND SPECIFICATIONS HEREIN ARE THE PROPERTY OF DIGITAL EQUIPMENT CORPORATION AND SHALL NOT BE REPRODUCED OR COPIED OR USED IN WHOLE OR IN PART AS THE BASIS FOR THE MANUFACTURE OR SALE OF ITEMS WITHOUT WRITTEN PERMISSION. COPYRIGHT © 1973 DIGITAL EQUIPMENT CORPORATION.

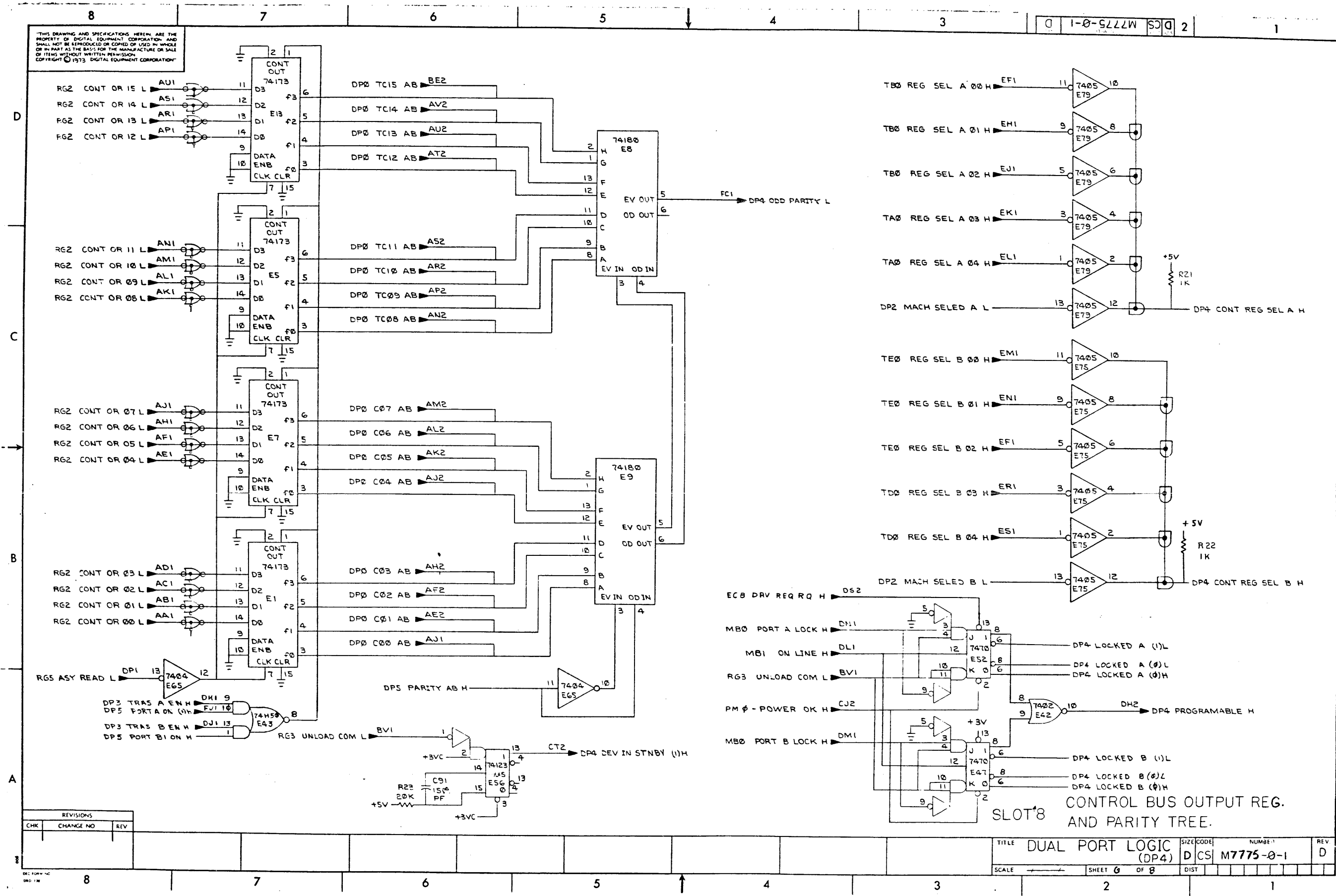


SLOT 8 DUAL PORT ARBITRATION

REVISIONS		
CHK	CHANGE NO	REV

TITLE	DUAL PORT LOGIC (DP3)	MODEL	DICS	NUMBER	M7775-0-1	REV	D
SCALE		SHEET	5	OF	8	DIST	

THIS DRAWING AND SPECIFICATIONS HEREIN ARE THE PROPERTY OF DIGITAL EQUIPMENT CORPORATION AND SHALL NOT BE REPRODUCED OR COPIED OR USED IN WHOLE OR IN PART AS THE BASIS FOR THE MANUFACTURE OR SALE OF ITEMS WITHOUT WRITTEN PERMISSION. COPYRIGHT © 1973 DIGITAL EQUIPMENT CORPORATION.

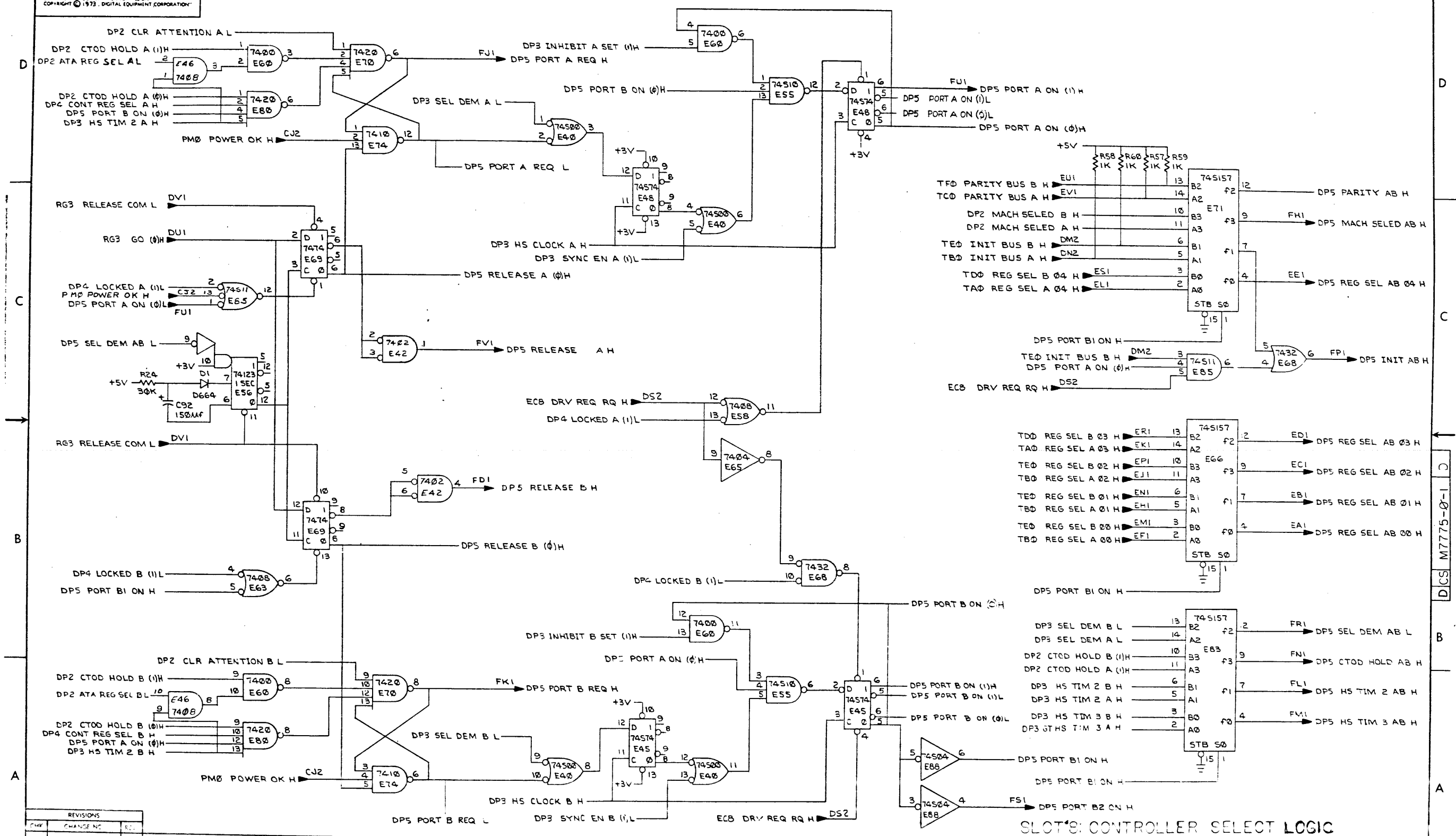


REVISIONS		
CHK	CHANGE NO	REV

TITLE	DUAL PORT LOGIC (DP4)	SIZE CODE	D CS	NUMBER	M7775-0-1	REV	D
SCALE		SHEET	6	OF	8	DIST	

D CS M7775-0-1

THIS DRAWING AND SPECIFICATIONS HEREIN ARE THE PROPERTY OF DIGITAL EQUIPMENT CORPORATION AND SHALL NOT BE REPRODUCED OR COPIED OR USED IN WHOLE OR IN PART AS THE BASIS FOR THE MANUFACTURE OR SALE OF ITEMS WITHOUT WRITTEN PERMISSION. COPYRIGHT © 1973, DIGITAL EQUIPMENT CORPORATION.

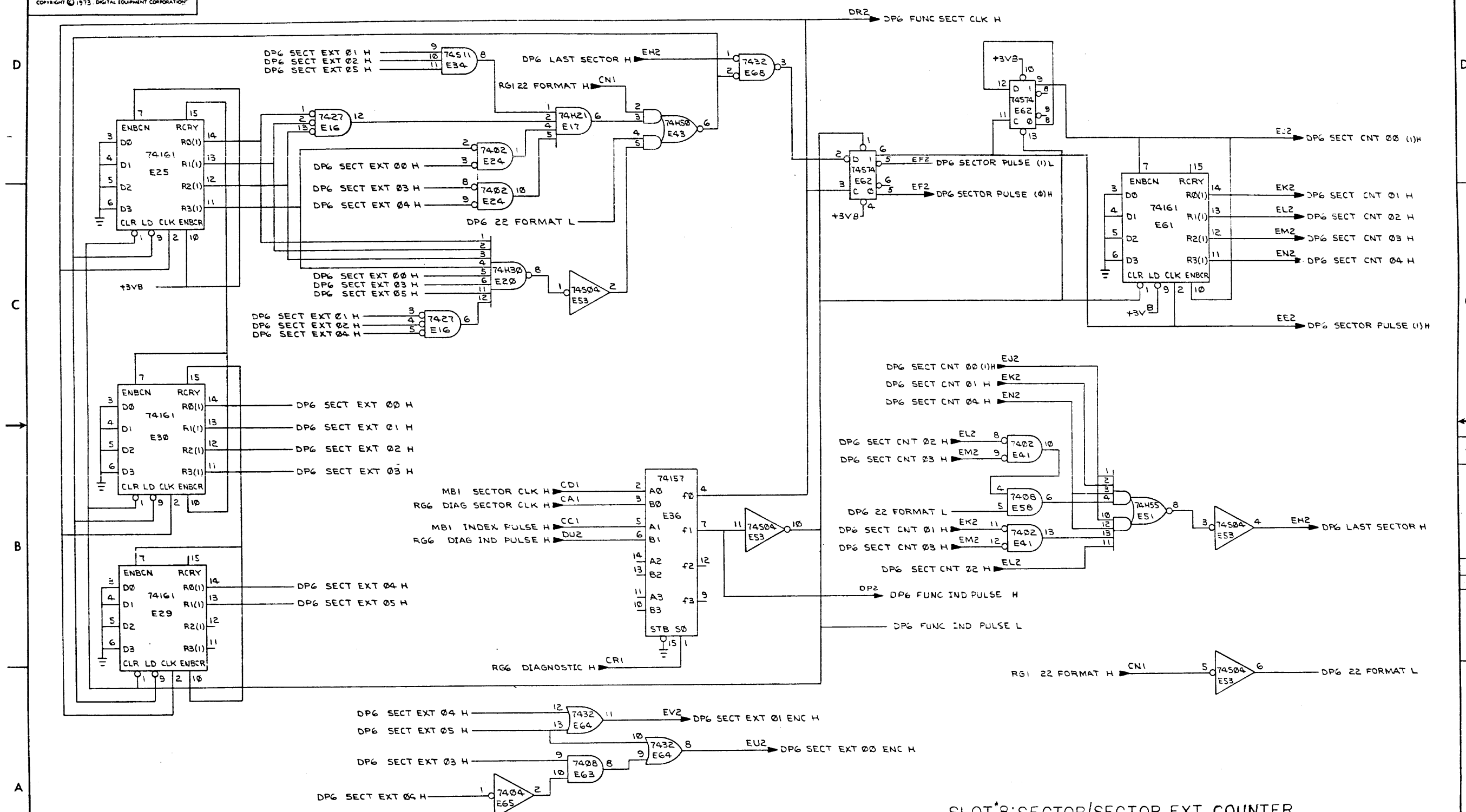


REVISIONS		
NO.	CHANGE NO.	REVISION

SLOT 8: CONTROLLER SELECT LOGIC

TITLE	DUAL PORT LOGIC	DESIGNER	DCS	DATE	M7775-0-1
SCALE		SHEET	7	OF	8
DIST					

THIS DRAWING AND SPECIFICATIONS HEREIN ARE THE PROPERTY OF DIGITAL EQUIPMENT CORPORATION AND SHALL NOT BE REPRODUCED OR COPIED OR USED IN WHOLE OR IN PART AS THE BASIS FOR THE MANUFACTURE OR SALE OF ITEMS WITHOUT WRITTEN PERMISSION. COPYRIGHT © 1973, DIGITAL EQUIPMENT CORPORATION.



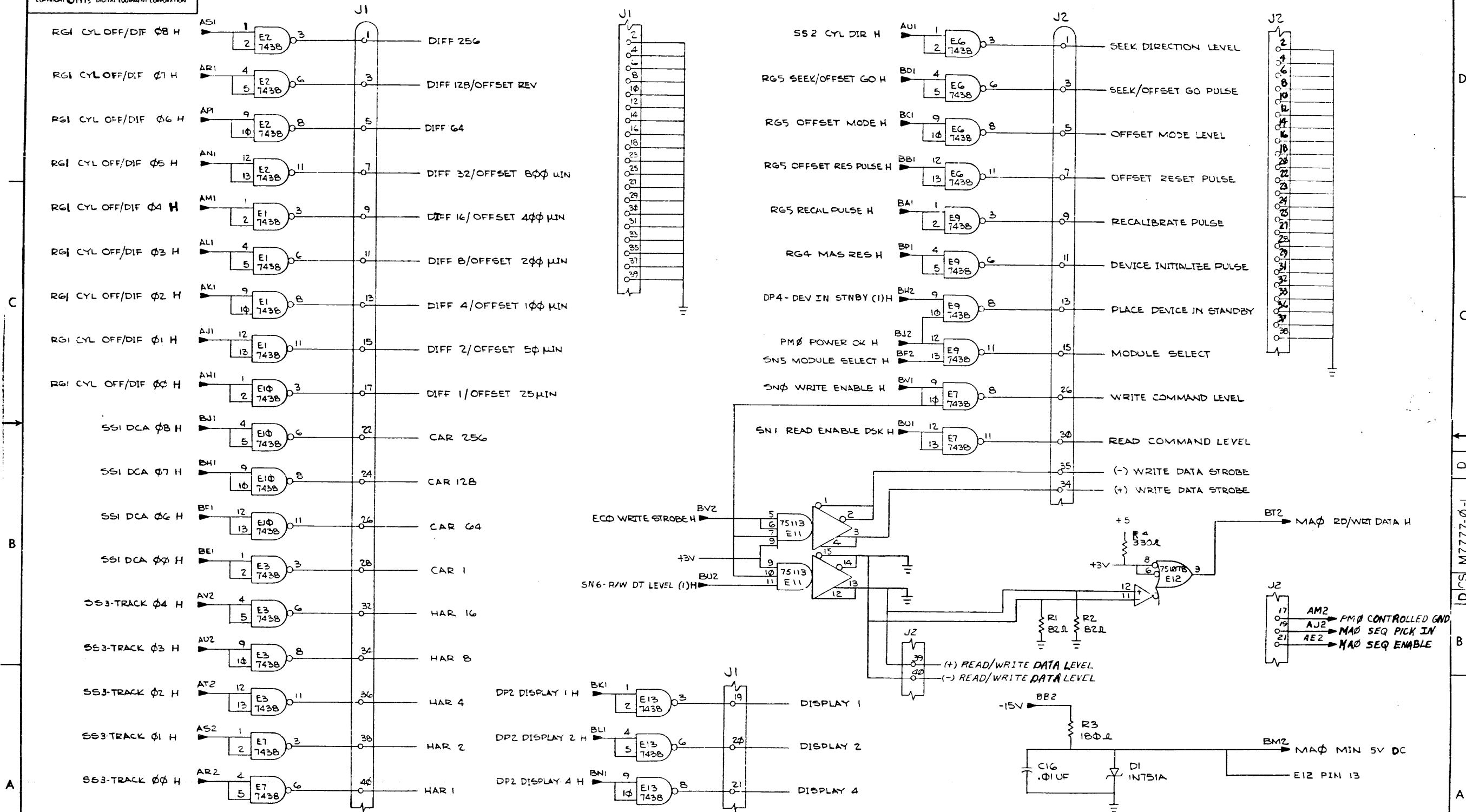
SLOT 8: SECTOR/SECTOR EXT. COUNTER

REVISIONS		
CHK	CHANGE NO	REV

TITLE	DUAL PORT LOGIC (DP6)	SIZE CODE	D CS	NUMBER	M7775-0-1	REV	D
SCALE	+	SHEET	8	OF	8	DIST.	

DCS M7775-0-1 U

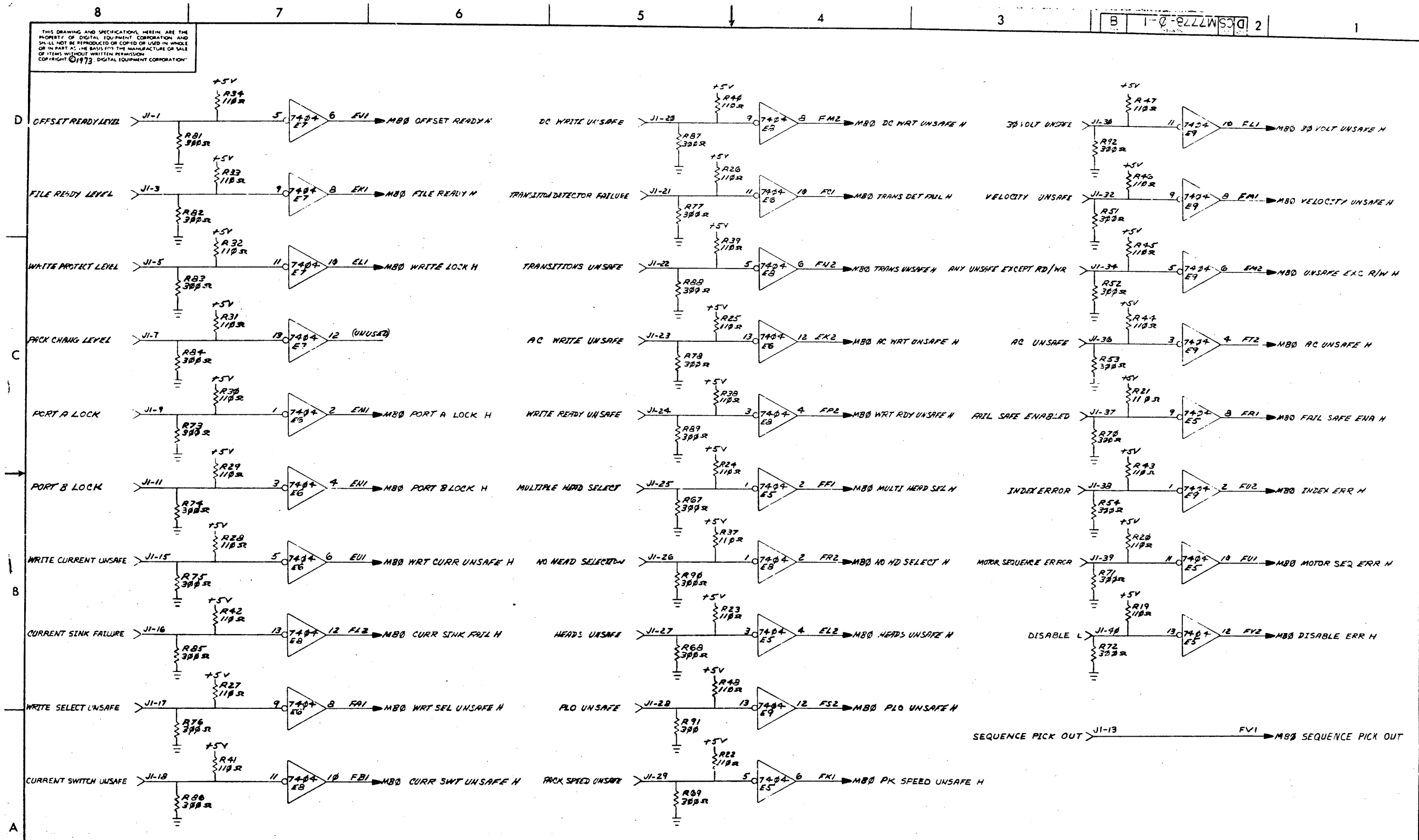
THIS DRAWING AND SPECIFICATIONS HEREIN ARE THE PROPERTY OF DIGITAL EQUIPMENT CORPORATION AND SHALL NOT BE REPRODUCED OR COPIED OR USED IN WHOLE OR IN PART AS THE BASIS FOR THE MANUFACTURE OF SALE OF ITEMS WITHOUT WRITTEN PERMISSION. COPYRIGHT © 1975, DIGITAL EQUIPMENT CORPORATION



REVISIONS		
CHK	CHANGE NO	REV

THIS DRAWING AND SPECIFICATIONS, HEREIN, ARE THE PROPERTY OF DIGITAL EQUIPMENT CORPORATION AND SHALL NOT BE REPRODUCED OR COPIED OR USED IN WHOLE OR IN PART AS THE BASIS FOR THE MANUFACTURE OR SALE OF ITEMS WITHOUT WRITTEN PERMISSION. COPYRIGHT ©1973 DIGITAL EQUIPMENT CORPORATION.

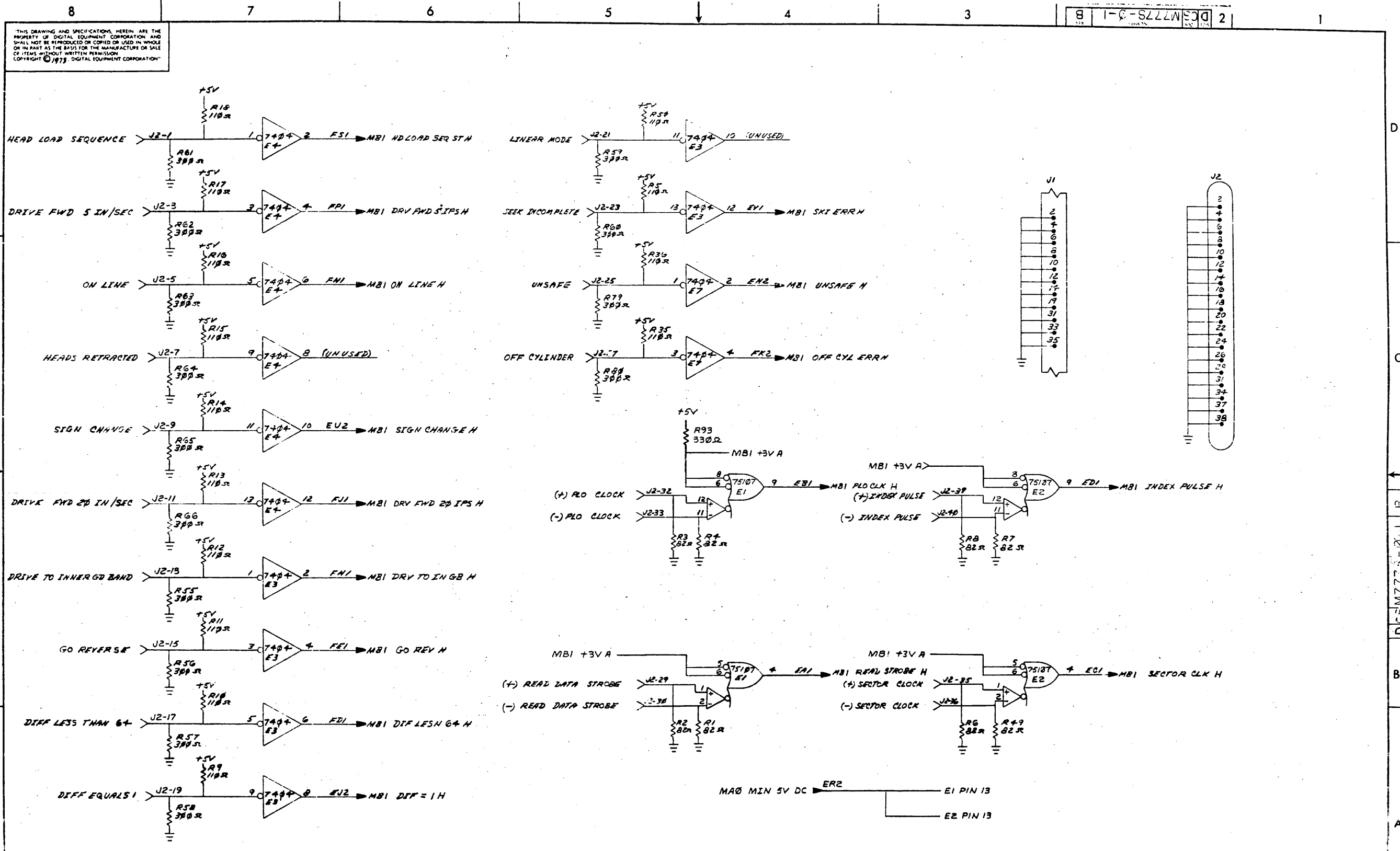
DCSM7778-0-1 2



REVISIONS		
CHK	CHANGE NO	REV

TITLE	MIN DEVICE LEVEL INTERFACE 2 (MBO)	SIZE CODE	D CS	NUMBER	M7778-0-1	REV	B
SCALE		SHEET	2	OF 3		DIST	

DCSM7778-0-1 B



THIS DRAWING AND SPECIFICATIONS, HEREIN, ARE THE PROPERTY OF DIGITAL EQUIPMENT CORPORATION AND SHALL NOT BE REPRODUCED OR COPIED OR USED IN WHOLE OR IN PART AS THE BASIS FOR THE MANUFACTURE OR SALE OF ITEMS WITHOUT WRITTEN PERMISSION. COPYRIGHT © 1977, DIGITAL EQUIPMENT CORPORATION.

REVISIONS		
CHK	CHANGE NO	REV

TITLE	MIN DEVICE LEVEL INTERFACE 2 (MBI)	SIZE CODE	NUMBER	REV
SCALE		SHEET	3 OF 3	B

DCSM7778-0-1 B

8 6 5 4 3 2 1

THIS DRAWING AND SPECIFICATIONS HEREIN ARE THE PROPERTY OF DIGITAL EQUIPMENT CORPORATION AND SHALL NOT BE REPRODUCED OR COPIED OR USED IN WHOLE OR IN PART AS THE BASIS FOR THE MANUFACTURE OR SALE OF ITEMS WITHOUT WRITTEN PERMISSION
COPYRIGHT © 1981 DIGITAL EQUIPMENT CORPORATION

REWORK INSTRUCTIONS

- 0-1. } FOR ETCH CUTS SEE D-EC-5011766-0-0
- 0-2. }
- 0-3. }

WIRE ADDS: SIDE 1 (30 AWG) AS SHOWN

- 0-4. FROM E62-5 TO PTH BETWEEN E64-2 & E69-1B.
- 0-5. FROM E68-1 TO E28-6.
- 0-6. FROM E68-2 TO PTH ABOVE AND TO LEFT OF E62-1.

D
C
B
A

D
C
B
A

DUAL M7787-YB-0 REV A

REVISION HISTORY		
DATE	ECO NUMBER	REV

8 7 6 5 4 3 2 1

INTERFACE CONTROL

DOCUMENT NUMBER		REV
SIZE CODE	NUMBER	
DUAL	M7787-YB-0	A
SCALE		SHEET 2 OF 2

8 7 6 5 4 3 2 1

PARTS LIST

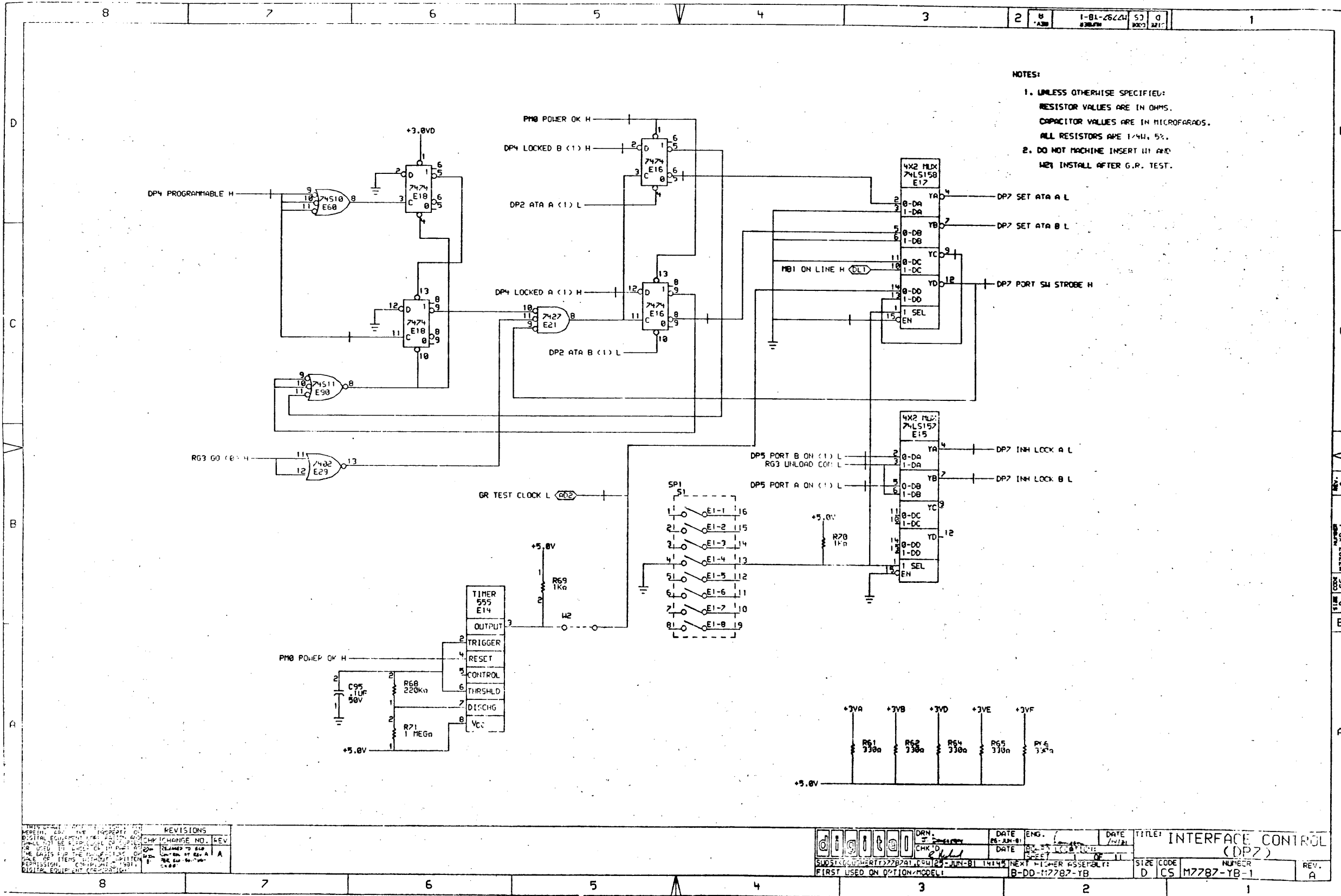
LINE ITEM	DOCUMENT NUMBER	PART NUMBER	DESCRIPTION	QTY PER VARIATION	REFERENCE DESIGNATOR
				YB	
1	D-MD-5011766-0-0	5011766-00	M7787	1	
2		1000019-00	150.0 MMF 100V 5%200PPM MICA	1	
3		1001610-00	.01 MFD 50V +80-20% 75U CER	94	C103 CONT C1,C2,C3,C4,C5,C6,C7,C8,C9,C10, CONT C11,C12,C13,C14,C15,C16,C17,C18, CONT C19,C20,C21,C22,C23,C24,C25,C26, CONT C27,C28,C29,C30,C31,C32,C33,C34, CONT C35,C36,C37,C38,C39,C40,C41,C42, CONT C43,C44,C45,C46,C47,C48,C49,C50, CONT C51,C52,C53,C54,C55,C56,C57,C58, CONT C59,C60,C61,C62,C63,C64,C65,C66, CONT C67,C68,C69,C70,C71,C72,C73,C74, CONT C75,C76,C77,C78,C79,C80,C81,C82, CONT C83,C84,C85,C86,C87,C88,C89,C90, CONT C91,C92,C93,C94
4		1005572-00	150 MFD 6V 20% S.TANT	1	C102
5		1010978-36	.1 MFD 50V 10% CER	1	C95
6		1017472-00	10 MFD 35V +50-10% AL EL	6	C96,C97,C98,C99,C100,C101
7		1100114-00	D 664 QS\75PCB PIV= 25V SP	1	D1
8		1211164-04	SW,DIP 1P 1A 8POS	1	S1
9		1216988-02	HANDLE,MODULE,HEX TWO EJECTORS	1	
10		1300271-00	220.0 .25 W 5.0 % CC	2	R20,R67
11		1300295-00	330.0 .25 W 5.0 % CC	5	R61,R62,R64,R65,R66
12		1300365-00	1.0 K .25 W 5.0 % CC	59	R1,R2,R3,R4,R5,R6,R7,R8,R9,R10, CONT R11,R12,R13,R14,R15,R16,R17,R18, CONT R19,R21,R22,R25,R26,R27,R28,R29, CONT R30,R31,R32,R33,R34,R35,R36,R37, CONT R38,R39,R40,R41,R42,R43,R44,R45, CONT R46,R47,R48,R49,R50,R51,R52,R53, CONT R54,R55,R56,R57,R58,R59,R60,R69, CONT R70

REVISION HISTORY		BASIC PART NO: M7787	
ENG:	ECD NUMBER	REV	SECTION A OF A
	INITIAL	A	SECTION VARIATION INDEX
			[A] YB
			[B]
			[C]
			[D]
			[E]
			[F]
			[G]
			[H]
			[J]
			[K]
			[L]
			[M]
			[N]
DRN:	D. COFFEY	DATE:	14-APR-80
CHK'D:	R. MICHAUD	DATE:	14-APR-80
DES.ENG:	C. DUNIGAN	DATE:	14-APR-80
RESP.ENG.:	C. DUNIGAN	DATE:	14-APR-80
MFG.ENG.:	D. CLAFLIN	DATE:	14-APR-80
ASSEMBLY NUMBER:	D-UA-M7787-YB-0	TOP DOCUMENT NUMBER:	D-DD-M7787-YB
		FILE NAME:	Z0985A.PLS
		EDIT #	21

THIS DRAWING AND SPECIFICATIONS HEREIN, ARE THE PROPERTY OF DIGITAL EQUIPMENT CORPORATION AND SHALL NOT BE REPRODUCED OR COPIED OR USED IN WHOLE OR IN PART AS THE BASIS FOR THE MANUFACTURE OR SALE OF ITEMS WITHOUT WRITTEN PERMISSION. COPYRIGHT (C) 1981. DIGITAL EQUIPMENT CORPORATION

LINE	ITEM	DOCUMENT NUMBER	PART NUMBER	DESCRIPTION	QTY	PER VARIATION	REFERENCE DESIGNATOR
					YB		
13	13		1302092-00	220.0 K .25 W 5.0 % CC	1		R68
14	14		1302391-00	20.0 K .25 W 5.0 % CC	1		R23
15	15		1302394-00	30.0 K .25 W 5.0 % CC	1		R24
16	16		1309595-00	1.0 M .25 W 5.0 % CC	1		R71
17	17		1611300-00	DELAY= 10-125NS,STAPS FAST RISE	1		DL1
18	18		1905547-00	7474 FF-D DUAL,EDGE TRIGG	5		E16,E19,E55,E62,E74
19	19		1905575-00	7400 NAND GATE-QUAD 2IN	2		E65,E83
20	20		1905576-00	7410 NAND GATE-TRIPLE 3IN	2		E64,E79
21	21		1905577-00	7420 NAND GATE-DUAL 4INPU	2		E75,E85
22	22		1905589-00	DEC 7470 FF-JK EDGE TRIPPER	2		E52,E57
23	23		1909004-00	DEC 7402 NOR GATE-QUAD 2IN	3		E29,E46,E47
24	24		1909058-00	74H21 AND GATE-DUAL 4INPUT	1		E22
25	25		1909059-00	DEC 74H30 NAND GATE-SINGLE 8IN	1		E25
26	26		1909060-00	DEC 74H50 A-0-I XPNDBLE GATE-D	1		E48
27	27		1909063-00	DEC 74H55 A-0-I XPNDBLE GATE-2	1		E56
28	28		1909686-00	7404 INVERTER GATE-HEX 1I	1		E70
29	29		1909713-00	DEC 8815 NOR GATE-DUAL 4IN	1		E78
30	30		1909929-00	7417 BUFFER GATE-HEX 1INP	3		E4,E10,E12
31	31		1909930-00	7405 INVERTER GATE-HEX 1I	2		E80,E84
32	32		1909936-00	74151 MUX 1 OF 8	2		E19,E23
33	33		1910046-00	7442 DECODER-1 OF 10,BCD	2		E77,E92
34	34		1910047-00	74145 DECODER&DRIVER	1		E2
35	35		1910091-00	DEC 7437 AND GATE-QUAD 2IN,BU	2		E37,E59
36	36		1910155-00	DEC 7408 AND GATE,POS,QUAD 2I	4		E28,E51,E63,E68
37	37		1910224-00	DEC 7485 COMPARATOR-4BIT	2		E81,E82
38	38		1910436-01	74123M ONE SHOT-DUAL,MULTIV	1		E61
39	39		1910532-00	74S00 NAND GATE-QUAD 2IN	3		E44,E45,E94
40	40		1910534-00	74S04 INVERTER GATE-HEX 1I	2		E26,E58
41	41		1910536-00	74S10 NAND GATE-TRIPLE 3IN	1		E60
42	42		1910537-00	74S11 AND GATE-TRIPLE 3INP	4		E39,E49,E54,E90
43	43		1910544-00	74S74 FF-D DUAL,EDGE TRIGG	6		E31,E38,E43,E50,E53,E67
44	44		1910548-00	74S157 MUX 1 OF 2 (QUAD)	3		E71,E76,E88
45	45		1910650-00	74161 COUNTER,SYNCHR. UP	4		E30,E34,E35,E66
46	46		1910655-00	74157 MUX 2 TO 1 QUAD	6		E41,E72,E86,E87,E89,E91
47	47		1910724-00	74180 PARITY TREE,8BIT GEN	2		E8,E9
48	48		1910878-00	7427 NOR GATE-TRIPLE 3IN	1		E21
49	49		1910957-00	74S175 FF-D QUAD COMMON CLO	2		E36,E40
50	50		1911324-00	7414 INVERTER,HEX 1IN SCH	1		E93
51	51		1911330-00	74173 FF-D QUAD,TRISTATE	4		E1,E5,E7,E13
52	52		1911521-00	7432 OR GATE-QUAD 2IN, PO	4		E33,E42,E69,E73
53	53		1911944-00	555CN TIMER,FUNCT.BLOCK	1		E14
54	54		1912847-00	LS157 MUX 1 OF 2(QUAD)	5		E15,E20,E24,E27,E32
55	55		1912848-00	LS158 MUX 1 OF 2 (QUAD)	1		E17
56	56		9000024-01	EYELET,ROLL FLANGE .1210DX .192	12		
57	57		9009185-00	JUMPER, WIRE, INSULATED, BLACK B	2		W1,W2
58	58		9105740-55	WIRE(WRAP)30AWG UL1423 A/R			

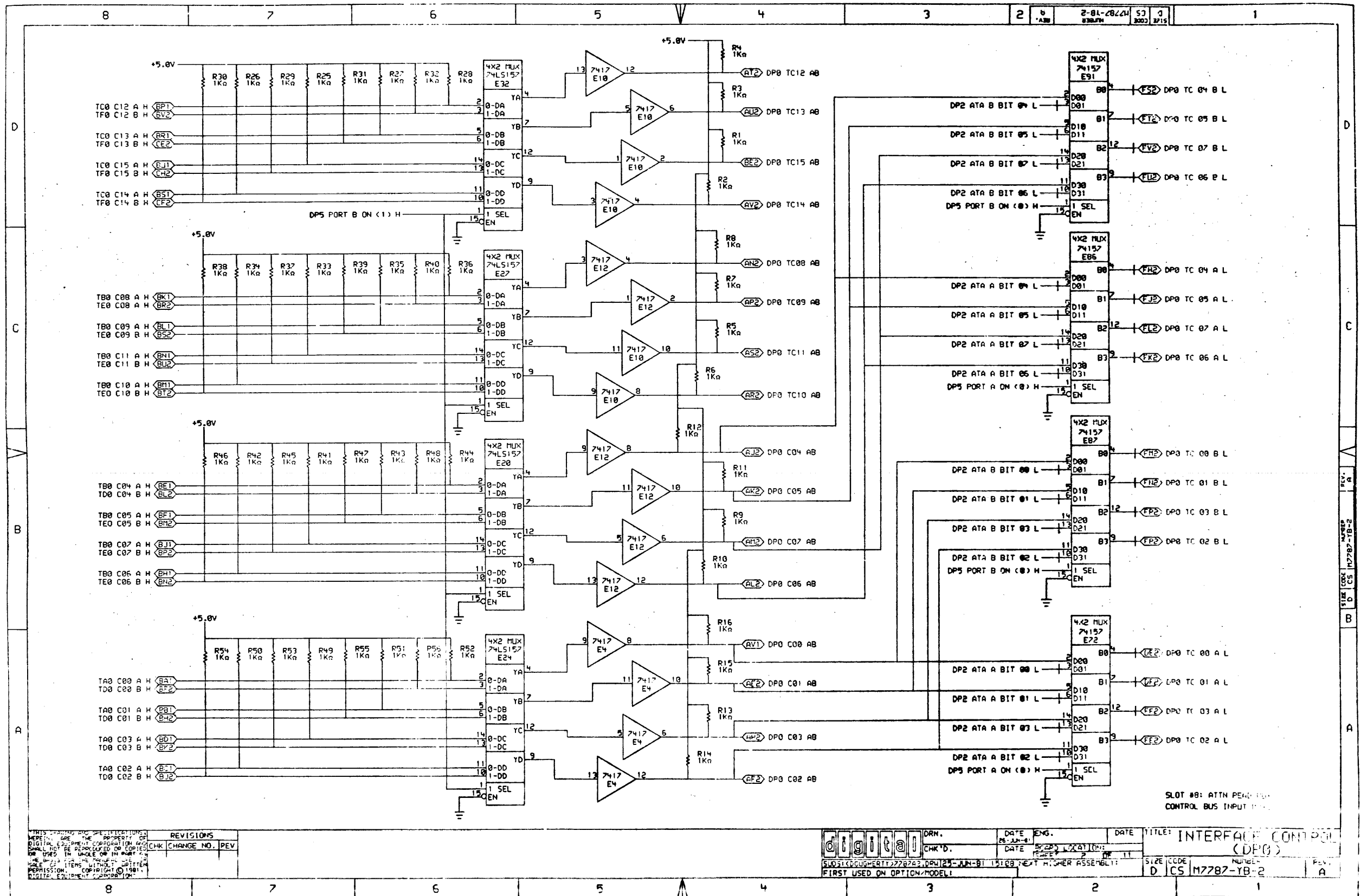
1	D	I	G	I	T	A	L	TITLE	INTERFACE CONTROL	SECTION A	OF	4	SIZE	CODE	DOCUMENT NUMBER	REV
													K	PL	M7787-YB-DBF	A



NOTES:
 1. UNLESS OTHERWISE SPECIFIED:
 RESISTOR VALUES ARE IN OHMS.
 CAPACITOR VALUES ARE IN MICROFARADS.
 ALL RESISTORS ARE 1/4W, 5%.
 2. DO NOT MACHINE INSERT III AND
 M21 INSTALL AFTER G.R. TEST.

REV	DESCRIPTION
1	INITIAL DESIGN
2	REVISIONS
3	CHANGE NO. 1
4	CHANGE NO. 2
5	CHANGE NO. 3
6	CHANGE NO. 4
7	CHANGE NO. 5
8	CHANGE NO. 6

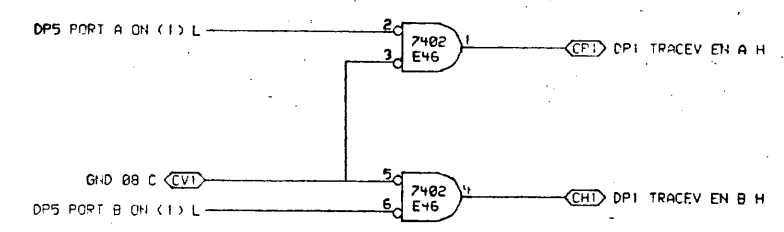
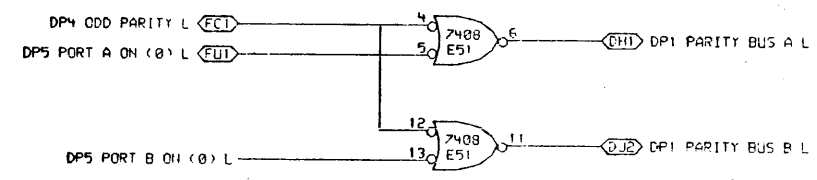
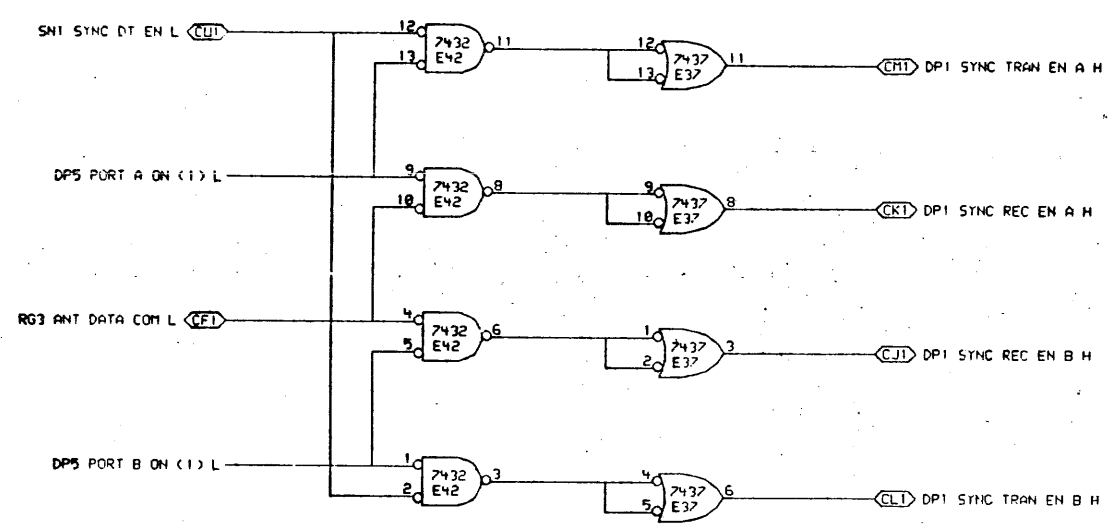
digit	DRN	DATE	ENG.	DATE	TITLE
1	2	3	4	5	INTERFACE CONTROL (DP7)
SUBSTITUTE PARTS: 74157, 74158, JUN-81, 14144, NEXT HIGHER ASSEMBLY: B-DO-M7787-YB					SIZE CODE
FIRST USED ON OPTION MODEL:					NUMBER
					D CS M7787-YB-1
					REV. A



THIS DRAWING AND SPECIFICATIONS ARE THE PROPERTY OF DIGITAL EQUIPMENT CORPORATION AND SHALL NOT BE REPRODUCED OR COPIED IN ANY MANNER WITHOUT THE WRITTEN PERMISSION OF DIGITAL EQUIPMENT CORPORATION.

REVISIONS		
CHK	CHANGE NO.	REV

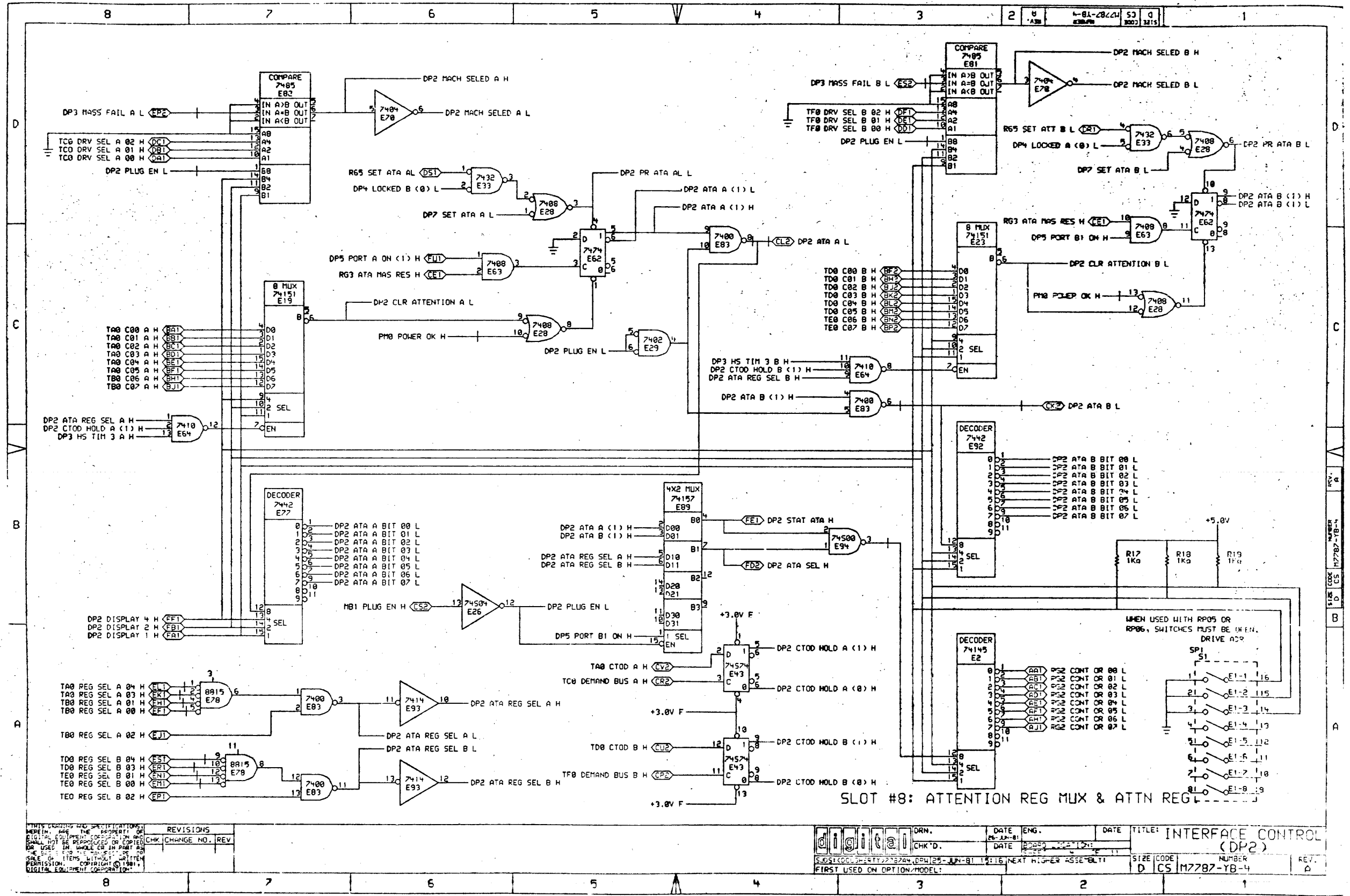
digital	ORN.	DATE	ENG.	DATE	TITLE: INTERFACE CONTROL (DPG)
	CHK'D.	DATE	BY	LOCATION:	NUMBER: [blank]
SLOT #8: ATTN PERIPHERAL CONTROL BUS INPUT [blank]					SIZE: CODE D, CS M7787-YB-2
FIRST USED ON OPTION/MODEL:					REV: A



SLOT #8: MASS BUS TRANSCEIVER ENABLES.

REVISIONS	
CHK	CHANGE NO. REV

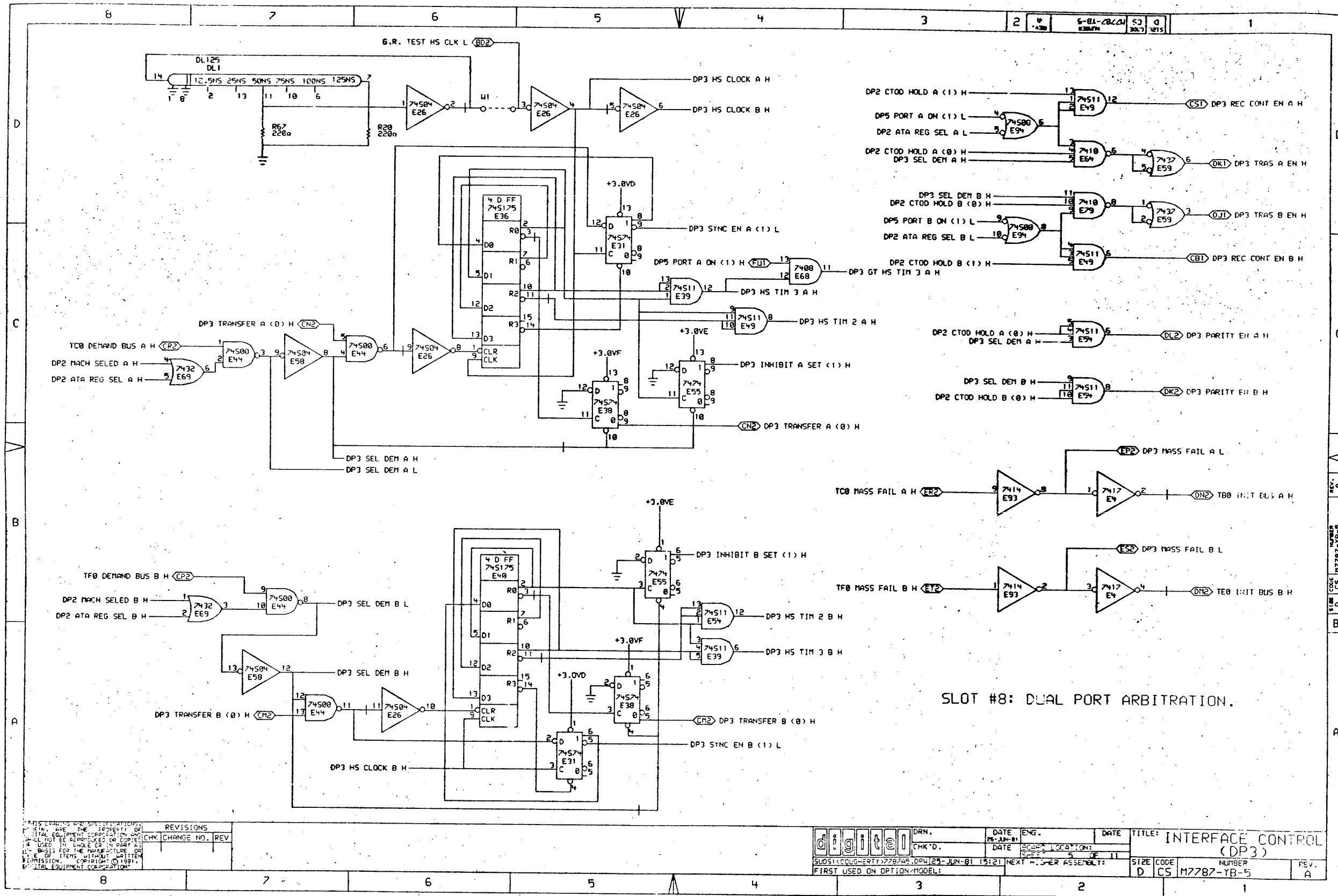
digital	DRN.	DATE	ENG.	DATE	TITLE: INTERFACE CONTROL (DP1)
	CHK'D.	DATE	BOARD LOCATION:	SHEET	
SU051 (DOUGHERTY) 278743, DRW125-JUN-81 06:57 NEXT HIGHER ASSEMBLY:					SIZE CODE NUMBER
FIRST USED ON OPTION/MODEL:					D CS M7787-YB-3



REV. NO.	DESCRIPTION	DATE
1	INITIAL DESIGN	10-1-81
2	REVISIONS	
3	REVISIONS	

REV. NO.	DESCRIPTION	DATE
1	INITIAL DESIGN	10-1-81
2	REVISIONS	
3	REVISIONS	

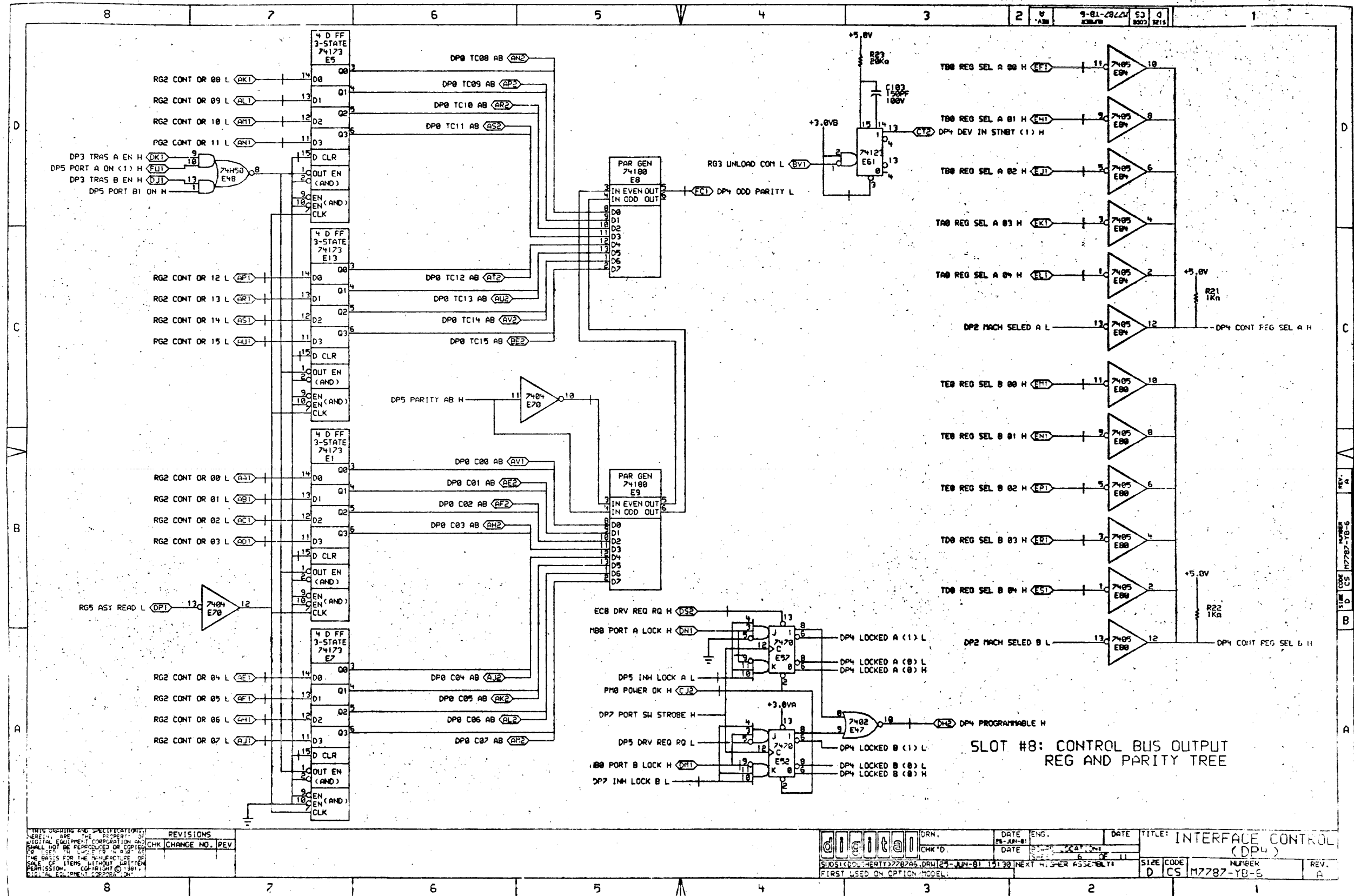
digital	DRN.	DATE ENG.	DATE	TITLE: INTERFACE CONTROL (DP2)
CHK'D.	DATE	DATE	DATE	REV. A
SLOT #8: ATTENTION REG MUX & ATTN REG				SIZE CODE
FIRST USED ON OPTION/MODEL:				NUMBER
				D CS 117787-YB-4



THIS DRAWING AND SPECIFICATIONS ARE THE PROPERTY OF DIGITAL EQUIPMENT CORPORATION AND SHALL NOT BE REPRODUCED OR COPIED IN ANY MANNER WITHOUT WRITTEN PERMISSION. COPYRIGHT © 1981 DIGITAL EQUIPMENT CORPORATION.

REVISIONS		
CHK	CHANGE NO.	REV

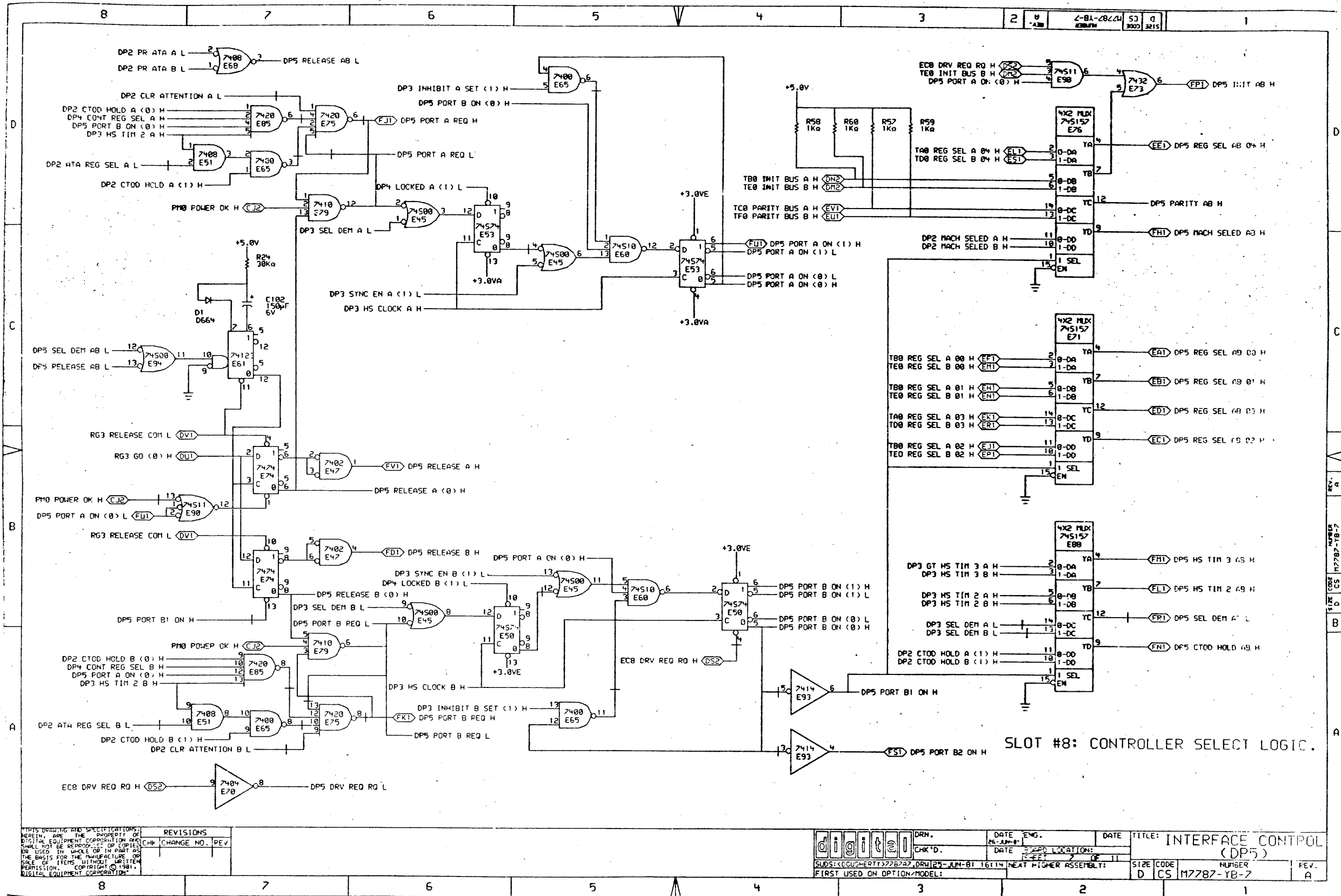
digital	DRN.	DATE	ENG.	DATE	TITLE: INTERFACE CONTROL (DP3)
	CHK'D.	DATE	SCHEMATIC LOCATION:		
SLOSK/COU/MERT/778745.DP4/25-JUN-81 15:21 NEXT POWER ASSEMBLY:					SIZE CODE NUMBER REV.
FIRST USED ON OPTION/MODEL:					D CS M7787-YB-5 A



THIS DRAWING AND SPECIFICATIONS ARE THE PROPERTY OF DIGITAL EQUIPMENT CORPORATION AND SHALL NOT BE REPRODUCED OR COPIED IN ANY MANNER WITHOUT THE WRITTEN PERMISSION OF THE MANUFACTURER. COPYRIGHT © 1981 BY DIGITAL EQUIPMENT CORPORATION.

REVISIONS	
CHK	CHANGE NO. REV

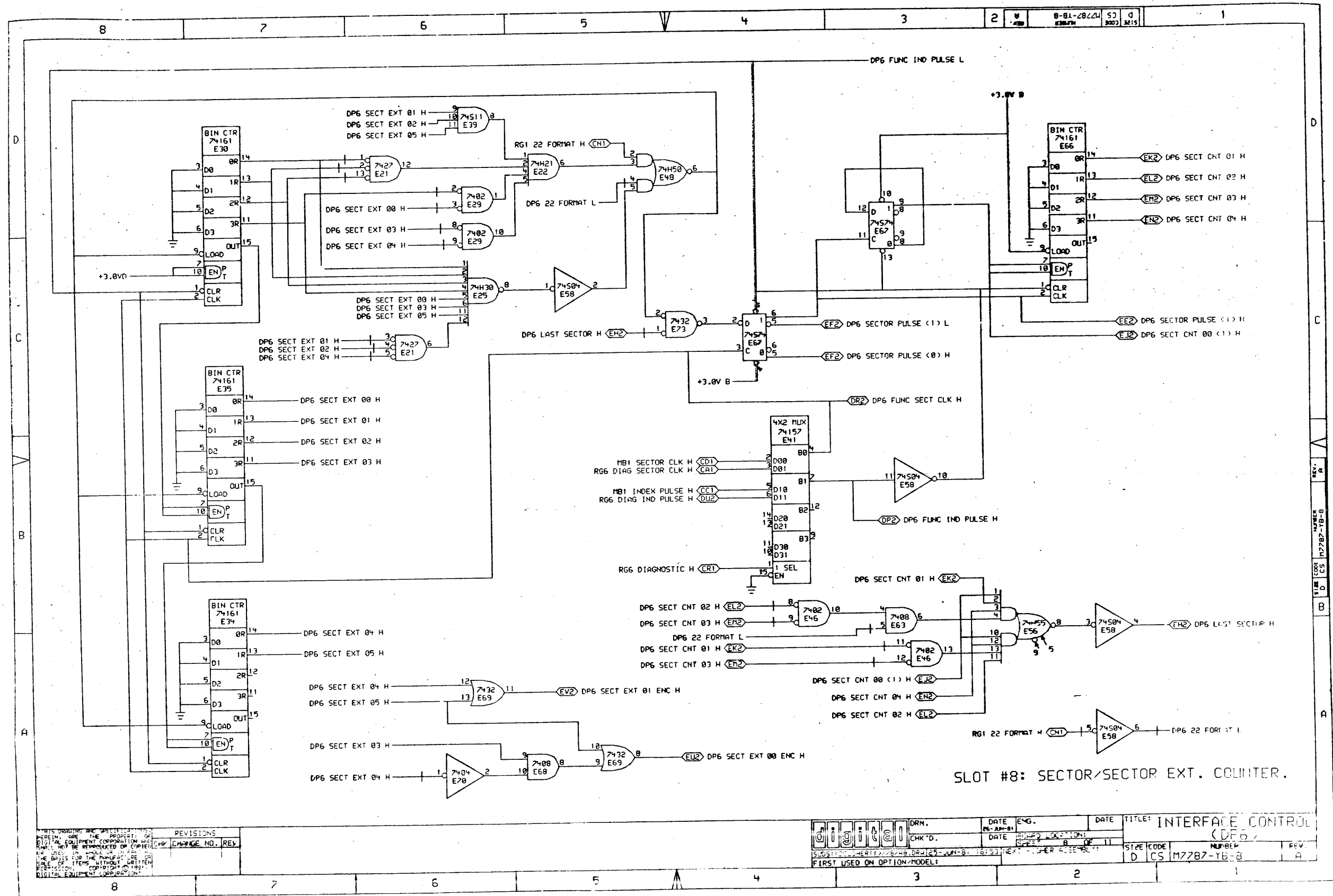
digital	DRN.	DATE	ENG.	DATE	TITLE: INTERFACE CONTROL (DP4)
	CHK'D	DATE	DATE	DATE	
SUBS/CORR: MERTY22282AS.DRW/24-AUG-81 15130 NEXT NUMBER ASSEMBLY					SIZE: D
FIRST USED ON OPTION MODEL					CODE: CS
					NUMBER: M7787-YB-6
					REV: A



THIS DRAWING AND SPECIFICATIONS ARE THE PROPERTY OF DIGITAL EQUIPMENT CORPORATION AND SHALL NOT BE REPRODUCED OR COPIED IN WHOLE OR IN PART AS THE BASIS FOR THE MANUFACTURE OR SALE OF ITEMS WITHOUT WRITTEN PERMISSION. COPYRIGHT © 1981 DIGITAL EQUIPMENT CORPORATION.

REVISIONS	CHANGE NO.	REV.

digital	DRN.	DATE	ENG.	DATE	TITLE: INTERFACE CONTROL (DP5)
	CHK'D.	DATE			
SUBS: <COUCHERT> 778292 DRN 25 JUN 81 16114 NEXT HIGHER ASSEMBLY:		SIZE	CODE	NUMBER	REV.
FIRST USED ON OPTION/MODEL:		D	CS	M7787-YB-7	A

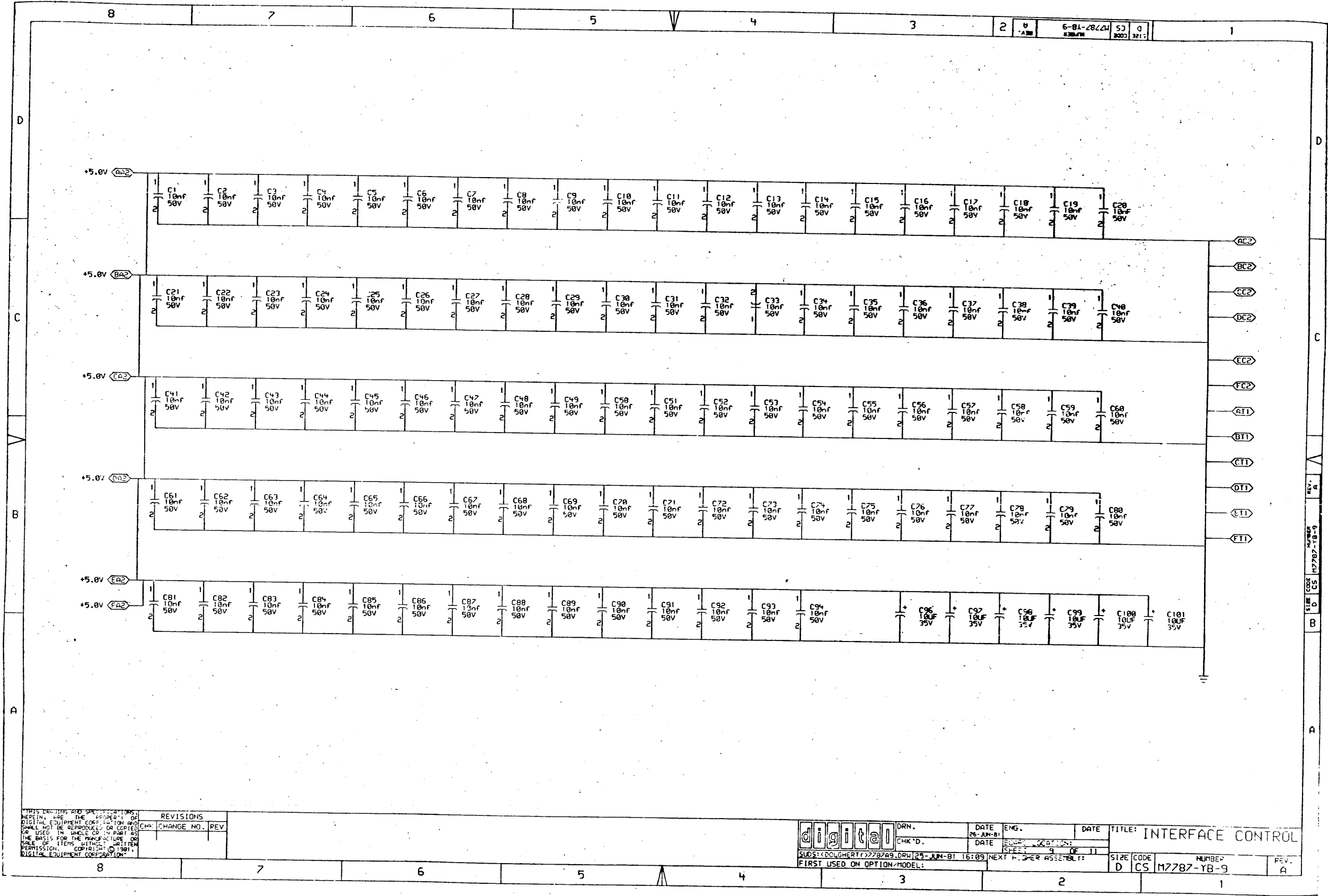


SLOT #8: SECTOR/SECTOR EXT. COUNTER.

THIS DRAWING AND SPECIFICATIONS HEREIN ARE THE PROPERTY OF DIGITAL EQUIPMENT CORPORATION AND SHALL NOT BE REPRODUCED OR COPIED IN ANY MANNER OR BY ANY MEANS WITHOUT WRITTEN PERMISSION OF DIGITAL EQUIPMENT CORPORATION.

REVISIONS		
CHG	CHANGE NO.	REV

DIGITAL	DRN.	DATE	ENG.	DATE	TITLE
	CHK'D.	DATE	DESIGNED	DATE	(DP6)
SLOT #8: SECTOR/SECTOR EXT. COUNTER		SHEET 8 OF 11		SIZE CODE	NUMBER
FIRST USED ON OPTION/MODEL		NEXT PAGER ASSEMBLY		D CS	M7787-1B-8
				REV.	A



THIS DRAWING AND SPECIFICATIONS HEREIN ARE THE PROPERTY OF DIGITAL EQUIPMENT CORPORATION AND SHALL NOT BE REPRODUCED OR COPIED OR USED IN WHOLE OR IN PART AS THE BASIS FOR THE MANUFACTURE OR SALE OF ITEMS WITHOUT WRITTEN PERMISSION OF DIGITAL EQUIPMENT CORPORATION.

REVISIONS	
CHK	CHANGE NO. REV

digital	DRN.	DATE	ENG.	DATE	TITLE: INTERFACE CONTROL
	CHK'D.	DATE	DESIGN LOCATION:	SHEET 9 OF 11	SIZE CODE NUMBER
FIRST USED ON OPTION/MODEL:		16:09	NEXT P. PER ASSEMBLY:		D CS M7782-YB-9 REV. A

REV. A
FILE CODE CS M7782-1B-9

